

1			2			3			4			5			6			7		
REVISIONS																				
ISS	ZONE	DESCRIPTION\PER REQUEST\DATE																		

CONFIGURATION CONTROL:
NO CHANGES PERMITTED TO DRAWING WITHOUT PPAP QUALIFIED CUSTOMER APPROVAL

F

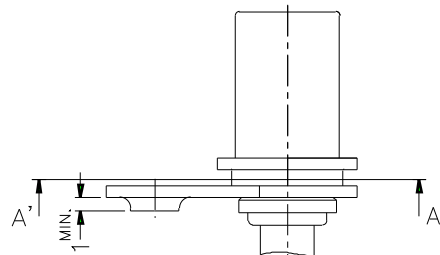
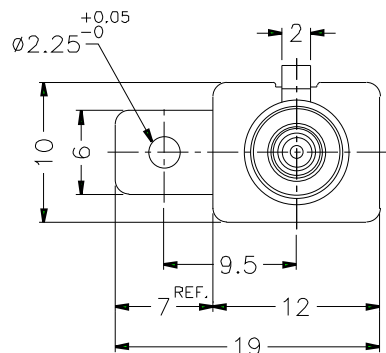
E

D

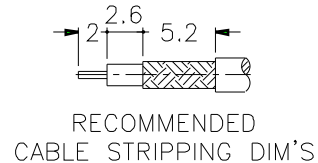
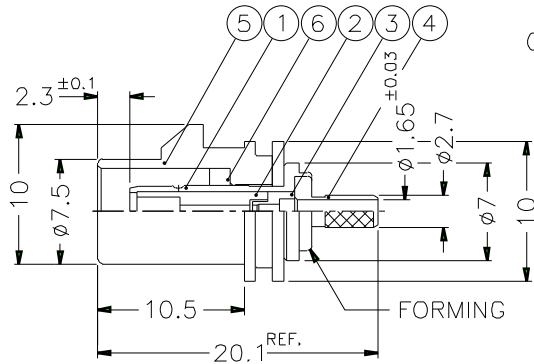
C

B

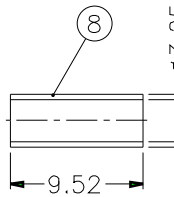
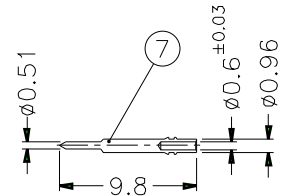
A



- NOTES: FINISH (PLATING THICKNESS IN MICRO-INCHES)
- BRASS PER QQ-B-626, ALLOY 360, 1/2 H ; JIS H3250 C 3604BD OR EQUIVALENT
 - NICKEL PL. 60 MIN. THICK OVER COPPER STRIKE
 - GOLD PL. 30 MIN. THICK OVER NICKEL PL. 100 MIN. THICK OVER COPPER STRIKE
 - TEFLON MIL-P-19468 OR EQUIVALENT
 - COPPER PER ASTM B-75 ALLOY C12200 OR EQUIVALENT
 - PBT(WITH 15% GLASS FIBER) PER CHANG CHUN GRADE 4115202 OR EQUIVALENT

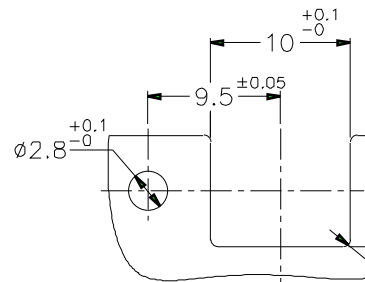


- CRIMPED FERRULE HEX CRIMP SIZE
- CRIMPED CONTACT SQ. CRIMP SIZE



TABLE

KEY CODING	D/N	P/N	LOCK COVER
A	FK1321AW-007-NT30G-50	FA1-NASP-C01-0	FKLC10201A
B	FK1321BW-007-NT30G-50	FA1-NBSP-C01-0	FKLC10202A
C	FK1321CW-007-NT30G-50	FA1-NCSP-C01-0	FKLC10203A
D	FK1321DW-007-NT30G-50	FA1-NDSP-C01-0	FKLC10204A
E	FK1321EW-007-NT30G-50	FA1-NESP-C01-0	FKLC10205A
F	FK1321FW-007-NT30G-50	FA1-NFSP-C01-0	FKLC10206A
G	FK1321GW-007-NT30G-50	FA1-NGSP-C01-0	FKLC10207A
H	FK1321HW-007-NT30G-50	FA1-NHSP-C01-0	FKLC10208A
I	FK1321IW-007-NT30G-50	FA1-NISP-C01-0	FKLC10209A
K	FK1321KW-007-NT30G-50	FA1-NKSP-C01-0	FKLC10210A
Z	FK1321ZW-007-NT30G-50	FA1-NZSP-C01-0	FKLC10211A



RECOMMENDED MOUNTING HOLE

8	FERRULE	NOTE 5	NOTE 2	1	FKFR00101A
7	CONTACT PIN	NOTE 1	NOTE 3	1	FKCP00101A
6	RING	NOTE 1	NOTE 2	1	FKLR00101A
5	LOCK COVER	NOTE 6		1	SEE TABLE
4	BARREL	NOTE 1	NOTE 2	1	FKBR00101B
3	INSULATOR	NOTE 4	NATURAL	1	FKNS00201A
2	INSULATOR	NOTE 4	NATURAL	1	FKNS00101A

DIMENSIONS ARE IN MILLIMETERS
UNLESS OTHERWISE SPECIFIED TOLERANCES
0.5-6 = ±0.2
6-30 = ±0.4
30-120 = ±0.6
120-315 = ±1
315-1000 = ±1.6

PART NO.		FA1-NXSP-C01-0
APPROVED	DATE	10-04-01'
CHECKED	DATE	10-04-01'

Amphenol
Danbury,CT,USA-Tainan,Taiwan-Shenz

TITLE
FAKRA SMB CRIMP PLUG
(FOR RG-174/U, 188A/U, 316,

DRAWING NO.

X-ON Electronics

Largest Supplier of Electrical and Electronic Components

Click to view similar products for [RF Connectors / Coaxial Connectors](#) category:

Click to view products by [Amphenol](#) manufacturer:

Other Similar products are found below :

[8915-1511-000](#) [89674-0827](#) [6001-7071-019](#) [6002-7051-003](#) [6002-7551-202](#) [6059674-1](#) [619550-1](#) [630059-000](#) [M39030/3-01N](#) [6500-7071-046](#) [6769](#) [CX050L2AQ](#) [7002-1542-011](#) [7004-1512-000](#) [7009-1511-004](#) [7010-1511-000](#) [7029-1511-060](#) [7101-1541-010](#) [7101-1571-002](#) [7105-1521-002](#) [7145-1521-002](#) [7203-1571-003](#) [7209-1511-011](#) [7210-1511-015](#) [7210-1511-019](#) [73137-5015](#) [73216-2241](#) [7325-1512-000](#) [73404-2300](#) [7405-1521-005](#) [7405-1521-802](#) [7406-1521-005](#) [8527](#) [8547](#) [FS11V](#) [8808-1511-001](#) [9049-9513-000](#) [9074-9513-000](#) [9101-9573-002](#) [910A205F](#) [9130-9573-002](#) [PL11SC-026](#) [PL375-33](#) [PL40-5](#) [PL71-9](#) [PL74C-221](#) [PL75MC-217](#) [PL803-7](#) [980-8666-005](#) [1200690078](#)