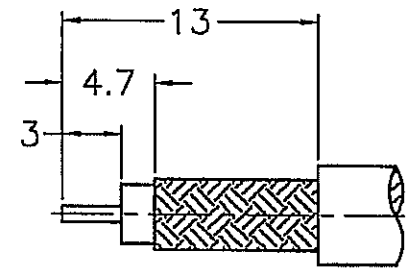


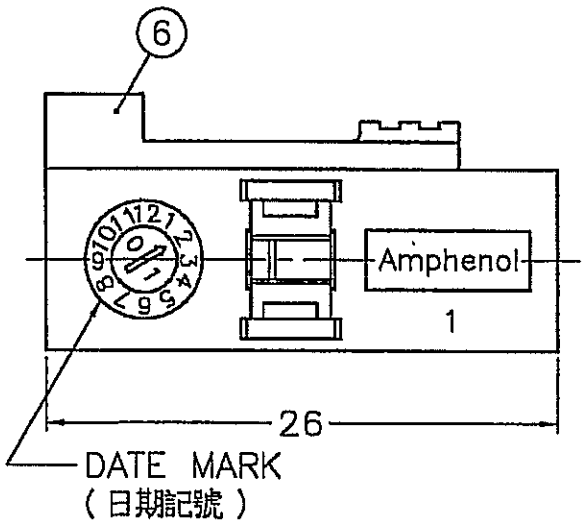
| REVISIONS | | |
|-----------|------|--|
| ISS | ZONE | DESCRIPTION\PER REQUEST\DATE |
| D | B-8 | NO.6 WAS CHANGED\RD-DM91091701L\11-12-02' |
| D1 | B-6 | CANCELLED L AND M KEY CODING\N/A\02-13-03' |
| E | C-4 | ADD 4 ROUND RIBS ON CLIP, FKLC00001B WAS FKLC00001A \RD-DM06032401B\ 24-Mar-06 |
| E1 | B-4 | ADDED: ±0.20, REMOVED 8mm\ECO\B-05-06' |
| F | B-6 | ADDED L M N KEY CODING \RD-DM93081001L\ 27-Sep-07 |



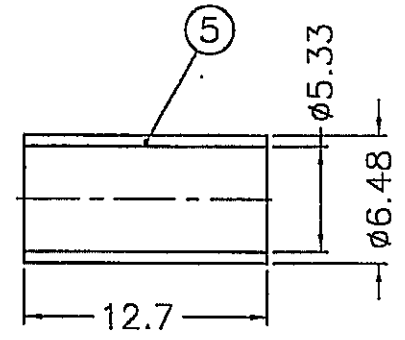
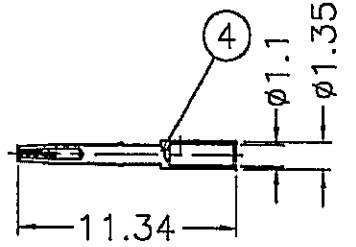
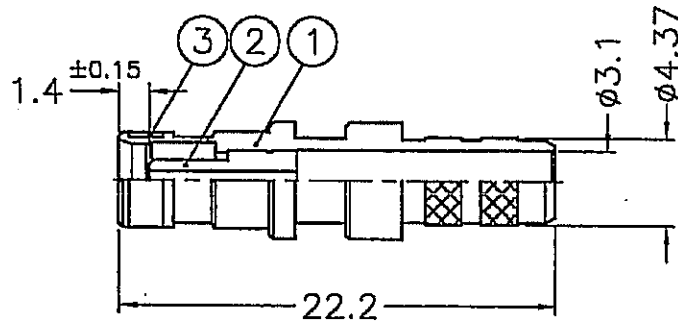
1. CRIMPED FERRULE
HEX. CRIMP SIZE .213"
2. CRIMPED CONTACT PIN
SQ. CRIMP SIZE .042"

CONFIGURATION CONTROL:
NO CHANGES PERMITTED TO DRAWING WITHOUT
PPAP QUALIFIED CUSTOMER APPROVAL

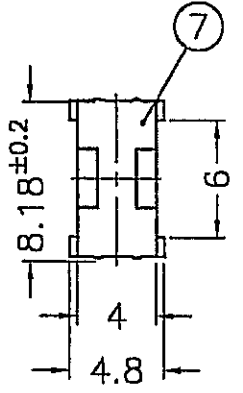
RECOMMENDED
CABLE STRIPPING DIM'S
(建議剝線尺寸)



DATE MARK
(日期記號)



- NOTES: FINISH (PLATING THICKNESS IN MICRO-INCHES)
1. BRASS PER QQ-B-626, ALLOY 360, 1/2 H ; JIS H3250 C 3604BD OR EQUIVALENT
 2. NICKEL PL. 60 MIN. THICK OVER COPPER STRIKE
 3. BERYLLIUM COPPER PER QQ-C-530, ALLOY 173, 1/2 H ; FUJII FX301 OR EQUIVALENT
 4. GOLD PL. 30 MIN. THICK OVER NICKEL PL. 100 MIN. THICK OVER COPPER STRIKE
 5. TEFLON MIL-P-19468 OR EQUIVALENT
 6. BERYLLIUM COPPER JIS C172DR-1/4H OR EQUIVALENT
 7. COPPER PER ASTM B-75 ALLOY C12200 OR EQUIVALENT
 8. NYLON66(WITH 33% GLASS FIBER) PER NYTEX COMPOSITES CO., LTD. GRADE MG-0033N-V0 OR EQUIVALENT
 9. PBT(WITH 15% GLASS FIBER) PER CHANG CHUN GRADE 4115202



TABLE

| KEY CODING | PART NO. | DRAWING NO. | ITEM NO. | LOCK COVER |
|------------|----------------|-----------------------|-----------------|------------|
| A | FA1-NASJ-C04-0 | FK6121AW-008-NT30G-50 | FK6121AAA57NC5F | FKLC30101D |
| B | FA1-NBSJ-C04-0 | FK6121BW-008-NT30G-50 | FK6121AAB57NC5F | FKLC30102D |
| C | FA1-NCSJ-C04-0 | FK6121CW-008-NT30G-50 | FK6121AAC57NC5F | FKLC30103D |
| D | FA1-NDSJ-C04-0 | FK6121DW-008-NT30G-50 | FK6121AAD57NC5F | FKLC30104D |
| E | FA1-NESJ-C04-0 | FK6121EW-008-NT30G-50 | FK6121AAE57NC5F | FKLC30105D |
| F | FA1-NFSJ-C04-0 | FK6121FW-008-NT30G-50 | FK6121AAF57NC5F | FKLC30106D |
| G | FA1-NGSJ-C04-0 | FK6121GW-008-NT30G-50 | FK6121AAG57NC5F | FKLC30107D |
| H | FA1-NHSJ-C04-0 | FK6121HW-008-NT30G-50 | FK6121AAH57NC5F | FKLC30108D |
| I | FA1-NISJ-C04-0 | FK6121IW-008-NT30G-50 | FK6121AAI57NC5F | FKLC30109D |
| K | FA1-NKSJ-C04-0 | FK6121KW-008-NT30G-50 | FK6121AAK57NC5F | FKLC30110D |
| Z | FA1-NZSJ-C04-0 | FK6121ZW-008-NT30G-50 | FK6121AAZ57NC5F | FKLC30111D |
| L | FA1-NLSJ-C04-0 | FK6121LW-008-NT30G-50 | FK6121AAL57NC5F | FKLC30112D |
| M | FA1-NMSJ-C04-0 | FK6121MW-008-NT30G-50 | FK6121AAM57NC5F | FKLC30113D |
| N | FA1-NNSJ-C04-0 | FK6121NW-008-NT30G-50 | FK6121AAN57NC5F | FKLC30114D |

| DIMENSIONS ARE IN MILLIMETERS | | | | | PART NO. FA1-NXSJ-C04-0 | | Amphenol Danbury,CT,USA-Tainan,Taiwan-Shenzhen,China | | | | | |
|-------------------------------|-----------------------------------|----------|---------|------|-------------------------|--|--|--|---|--------------------------------------|---|-----------------------------|
| NO. | DESCRIPTION | MATERIAL | FINISH | Q'TY | DRAWING NO. | SCALE | | | ISSUE | | | |
| 7 | LOCK COVER | NOTE 9 | NATURAL | 1 | FKLC00001B | UNLESS OTHERWISE SPECIFIED TOLERANCES 0.5-6 = ±0.2 6-30 = ±0.4 30-120 = ±0.6 120-315 = ±1 315-1000 = ±1.6 1000-2000 = ±2.4 | APPROVED <i>Angela W</i> DATE 28-Sep-07 | TITLE FAKRA SMB CRIMP JACK (FOR RG-58A/U, 58C/U CABLE) | | | | |
| 6 | LOCK COVER | NOTE 8 | | 1 | SEE TABLE | | | | CHECKED <i>Angela W</i> DATE 28-Sep-07 | DRAWING NO. FK6121XX-008-NT30G-50 | | |
| 5 | FERRULE | NOTE 7 | NOTE 2 | 1 | FKFR00201A | | | | | | DRAWN <i>Evan</i> DATE 27-Sep-07 | ITEM NO. FK6121AAX57NC5F |
| 4 | CONTACT PIN | NOTE 3 | NOTE 4 | 1 | FKCP00401A | | | | | | | |
| 3 | RETAINER RING | NOTE 6 | NATURAL | 1 | FKRR00101A | | | | | | | |
| 2 | INSULATOR | NOTE 5 | NATURAL | 1 | FKNS00501A | | | | | | | |
| 1 | BODY | NOTE 1 | NOTE 2 | 1 | FKBD00501A | | | | | | | |
| FILE NO. | F:\DWG\FK\6121XX\008\50\NT30G-FSZ | | | | | | | | | | | |

X-ON Electronics

Largest Supplier of Electrical and Electronic Components

Click to view similar products for [RF Connectors / Coaxial Connectors](#) category:

Click to view products by [Amphenol](#) manufacturer:

Other Similar products are found below :

[8915-1511-000](#) [89674-0827](#) [6001-7071-019](#) [6002-7051-003](#) [6002-7551-202](#) [6059674-1](#) [619550-1](#) [630059-000](#) [M39030/3-01N](#) [M3933/25-36N](#) [6500-7071-046](#) [6769](#) [CX050L2AQ](#) [7002-1542-011](#) [7004-1512-000](#) [7009-1511-004](#) [7010-1511-000](#) [7029-1511-060](#) [7101-1541-010](#) [7101-1571-002](#) [7105-1521-002](#) [7145-1521-002](#) [7203-1571-003](#) [7209-1511-011](#) [7210-1511-015](#) [7210-1511-019](#) [73137-5015](#) [73216-2241](#) [7325-1512-000](#) [73404-2300](#) [7405-1521-005](#) [7405-1521-802](#) [7406-1521-005](#) [8527](#) [8547](#) [FS11V](#) [8808-1511-001](#) [9049-9513-000](#) [9074-9513-000](#) [9101-9573-002](#) [910A205F](#) [9130-9573-002](#) [PL11SC-026](#) [PL375-33](#) [PL40-5](#) [PL71-9](#) [PL74C-221](#) [PL75MC-217](#) [PL803-7](#) [980-8666-005](#)