

NOTES:

1. MATERIALS AND FINISHES (PLATING THICKNESS IN MICRO-INCHES):

- BODY - ZINC DIECAST, MATTE TIN PLATING
- CONTACT - BRASS, GOLD PLATING
- LOCK COVER - NYLON 46, COLOR: PER TABLE
- INSULATORS - PTFE, NATURAL

2. ELECTRICAL:

- A. IMPEDANCE: 50 OHM (NOMINAL)
- B. FREQUENCY RANGE: DC - 6 GHz, (OPTIMIZED FOR DC-4GHz)
- C. VSWR(RETURN LOSS): 1.4 (-15.6 dB), MAX. (DC-2GHz)  
(MATED PAIR) 1.5 (-13.9 dB), MAX. (2-3GHz)
- D. DIELECTRIC WITHSTANDING VOLTAGE: 800 VRMS, MIN.

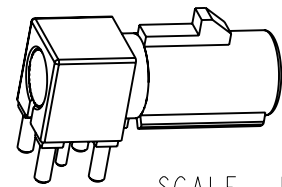
3. MECHANICAL:

- A. DURABILITY: 100 CYCLES MIN.
- B. TEMPERATURE RANGE: -40 °C TO 100 °C

4. PACKAGING:

- A. QUANTITY: TRAY PACK
- B. MARKING: TRAY TO BE MARKED  
"AMPHENOL, FAI-NXRP-PCBT10 AND  
DATE CODE"

5. HEATING STAGE: RECOMMEND SOLDERING  
TEMPERATURE 225° WITHIN 40 SECONDS.



SCALE 1.500

TABLE

| KEY CODING | AMPHENOL RF P/N | COLOR          | RAL NO. |
|------------|-----------------|----------------|---------|
| A          | FAI-NARP-PCBT10 | JET BLACK      | 9005    |
| B          | FAI-NBRP-PCBT10 | CREAM          | 9001    |
| C          | FAI-NCRP-PCBT10 | SIGNAL BLUE    | 5005    |
| D          | FAI-NDRP-PCBT10 | CLARET VIOLET  | 4004    |
| E          | FAI-NERP-PCBT10 | LEAF GREEN     | 6002    |
| F          | FAI-NFRP-PCBT10 | NUT BROWN      | 8011    |
| G          | FAI-NGRP-PCBT10 | BLUE GREY      | 7031    |
| H          | FAI-NHRP-PCBT10 | HEATHER VIOLET | 4003    |
| I          | FAI-NIRP-PCBT10 | BEIGE          | 1001    |
| K          | FAI-NKRP-PCBT10 | CURRY          | 1027    |
| L          | FAI-NLRP-PCBT10 | CARMINE RED    | 3002    |
| M          | FAI-NMRP-PCBT10 | PASTEL ORANGE  | 2003    |
| N          | FAI-NNRP-PCBT10 | PASTEL GREEN   | 6019    |
| Z          | FAI-NZRP-PCBT10 | WATER BLUE     | 5021    |

UNLESS OTHERWISE SPECIFIED, DIMENSIONS ARE IN METRIC AND TOLERANCES ARE:  
 <0.5mm ±0.05mm    0.5 - 6mm ±0.1mm    6 - 30mm ±0.2mm    30 - 120mm ±0.3mm    ANGLES ±1°

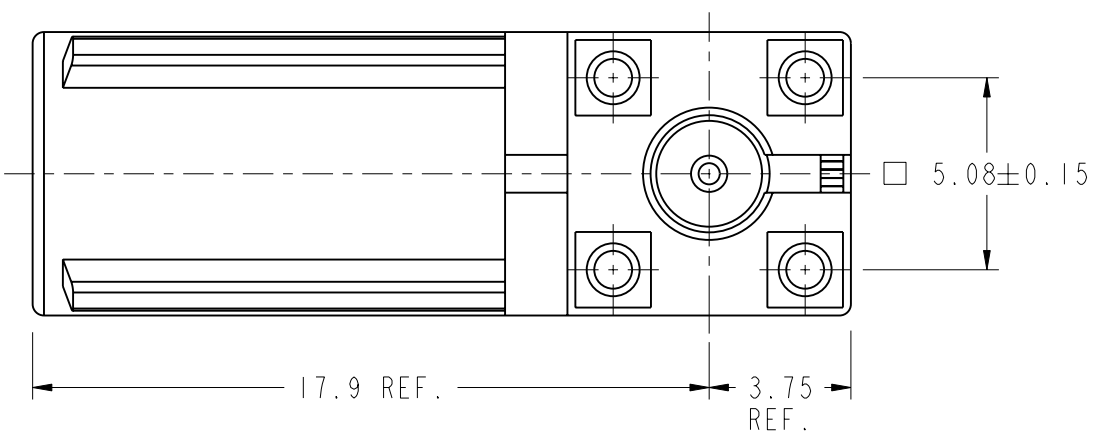
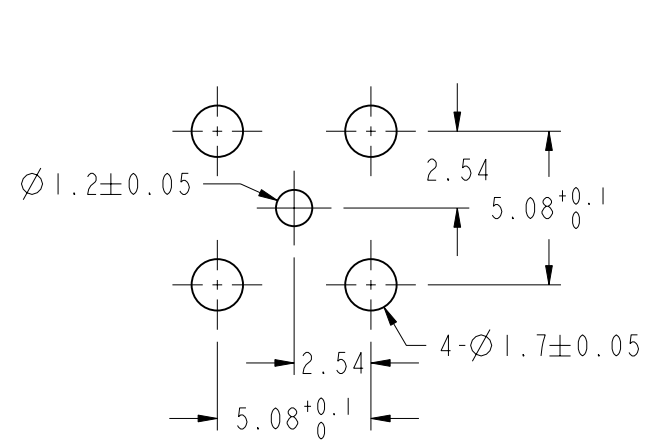
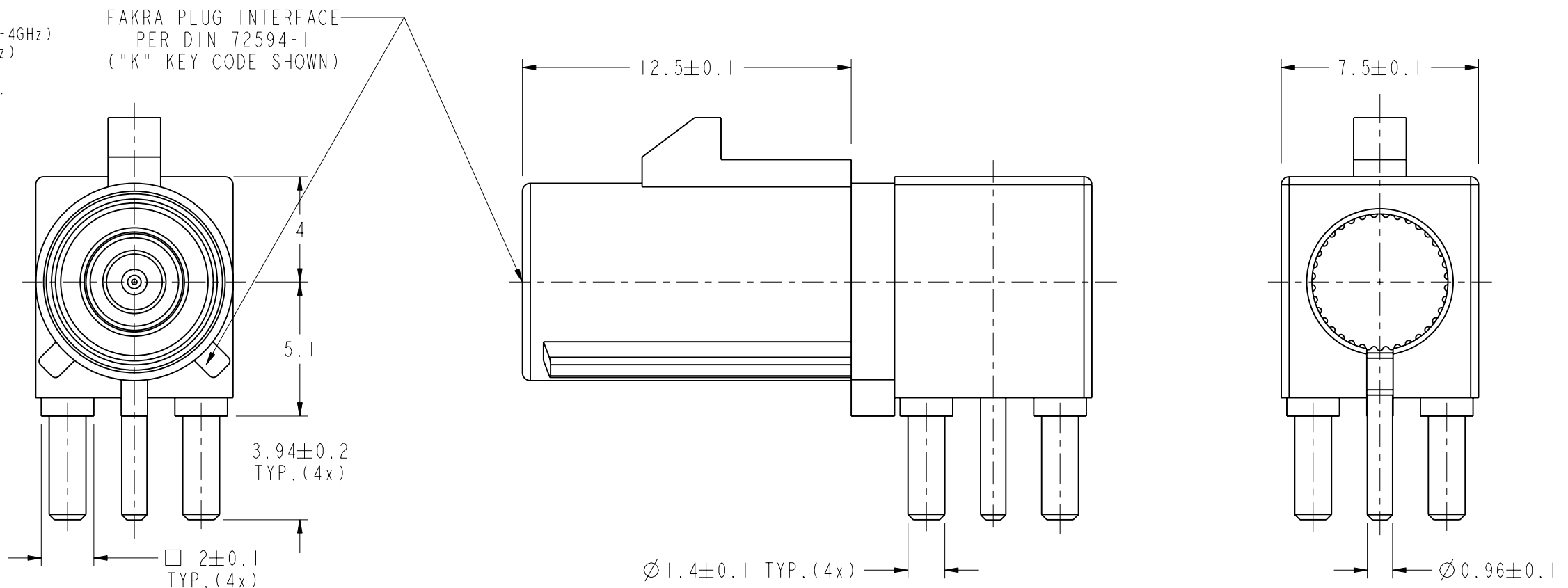
NOTICE - These drawings, specifications, or other data (1) are, and remain the property of Amphenol corp. (2) must be returned upon request; and (3) are confidential and not to be disclosed to any person other than those to whom they are given by Amphenol Corp. the furnishing of these drawings, specifications, or other data by Amphenol Corp., or to any other person to anyone for any purpose is not to be regarded by implication or otherwise in any manner licensing, granting rights to permitting such holder or any other person to manufacture, use or sell any product, process or design, patented or otherwise, that may in any way be related to or disclosed by said drawings, specifications, or other data.

THIRD ANGLE PROJ.

**CONFIGURATION CONTROL:**  
**NO CHANGES PERMITTED TO DRAWING WITHOUT**  
**PPAP QUALIFIED CUSTOMER APPROVAL**

REVISIONS

| REV | DESCRIPTION                  | DATE      | ECO   | APPR   |
|-----|------------------------------|-----------|-------|--------|
| A   | RELEASE TO MFG.              | 11-Mar-09 | ----  | EDWARD |
| B   | ADD TOL ±0.05 TO Ø 1.2 & 1.7 | 3/12/10   | 48001 | CPM    |
| C   | SEE SHEET 1 /RD-DMI6052001P/ | 20-May-16 | 01201 | EW     |



**CUSTOMER OUTLINE DRAWING**  
 ALL OTHER SHEETS ARE FOR INTERNAL USE ONLY

|                              |          |           |                |                             |
|------------------------------|----------|-----------|----------------|-----------------------------|
| MATERIAL                     | DRAWN    | DATE      | TITLE          | Amphenol RF                 |
|                              | EDWARD   | 17-Mar-09 |                |                             |
| REFERENCE                    | ENGINEER | DATE      | SCALE: 5.0:1.0 | DRAWING NO. FAI-NXRP-PCBT10 |
|                              | SCOTT    | 17-Mar-09 |                |                             |
| FINISH                       | APPROVED | DATE      | DWG SIZE       | PART NO. FAI-NXRP-PCBT10    |
|                              | S. HSIEH | 01-Jun-16 |                |                             |
| CONFIGURATION LEVEL: In Work | CAD FILE | REV       | C              |                             |

## X-ON Electronics

Largest Supplier of Electrical and Electronic Components

*Click to view similar products for [RF Connectors / Coaxial Connectors](#) category:*

*Click to view products by [Amphenol](#) manufacturer:*

Other Similar products are found below :

[8915-1511-000](#) [89674-0827](#) [6001-7071-019](#) [6002-7051-003](#) [6002-7551-202](#) [6059674-1](#) [619550-1](#) [630059-000](#) [M39030/3-01N](#) [6500-7071-046](#) [6769](#) [CX050L2AQ](#) [7002-1542-011](#) [7004-1512-000](#) [7009-1511-004](#) [7010-1511-000](#) [7029-1511-060](#) [7101-1541-010](#) [7101-1571-002](#) [7105-1521-002](#) [7145-1521-002](#) [7203-1571-003](#) [7209-1511-011](#) [7210-1511-015](#) [7210-1511-019](#) [73137-5015](#) [73216-2241](#) [73404-2300](#) [7405-1521-005](#) [7405-1521-802](#) [7406-1521-005](#) [8527](#) [8547](#) [FS11V](#) [8808-1511-001](#) [9049-9513-000](#) [9074-9513-000](#) [9101-9573-002](#) [910A205F](#) [9130-9573-002](#) [PL11SC-026](#) [PL375-33](#) [PL40-5](#) [PL71-9](#) [PL74C-221](#) [PL75MC-217](#) [PL803-7](#) [980-8666-005](#) [1200690078](#) [1-201144-1](#)