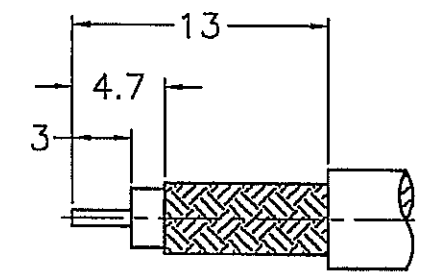


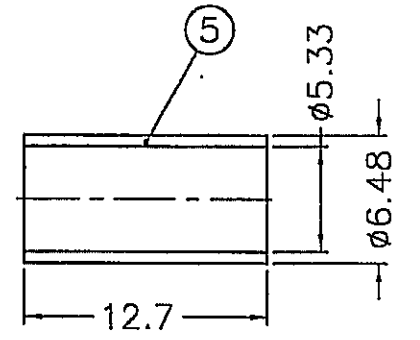
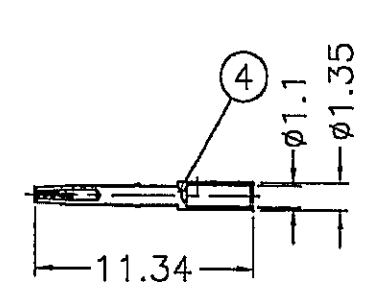
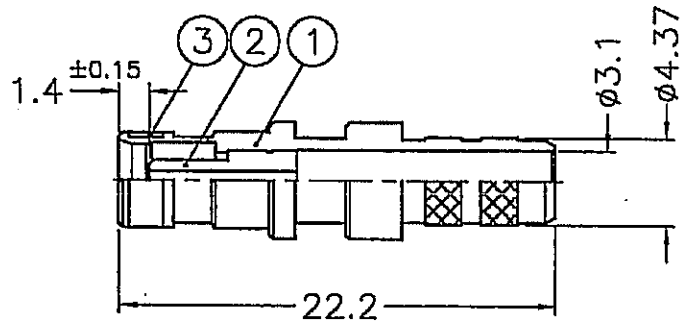
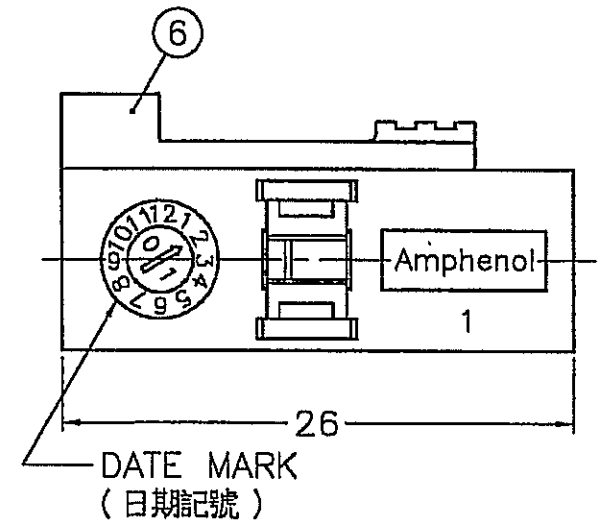
REVISIONS		
ISS	ZONE	DESCRIPTION\PER REQUEST\DATE
D	B-8	NO.6 WAS CHANGED\RD-DM91091701L\11-12-02'
D1	B-6	CANCELLED L AND M KEY CODING\N/A\02-13-03'
E	C-4	ADD 4 ROUND RIBS ON CLIP, FKLC00001B WAS FKLC00001A \RD-DM06032401B\ 24-Mar-06
E1	B-4	ADDED: ±0.20, REMOVED 8mm\ECO\B-05-06'
F	B-6	ADDED L M N KEY CODING \RD-DM93081001L\ 27-Sep-07



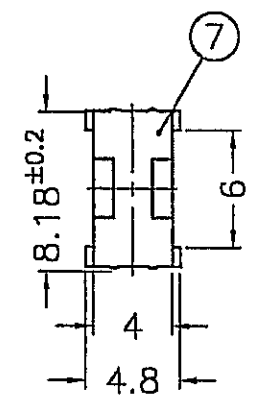
RECOMMENDED CABLE STRIPPING DIM'S (建議剝線尺寸)

1. CRIMPED FERRULE  
HEX. CRIMP SIZE .213"  
2. CRIMPED CONTACT PIN  
SQ. CRIMP SIZE .042"

**CONFIGURATION CONTROL:**  
NO CHANGES PERMITTED TO DRAWING WITHOUT PPAP QUALIFIED CUSTOMER APPROVAL



- NOTES: FINISH (PLATING THICKNESS IN MICRO-INCHES)
- BRASS PER QQ-B-626, ALLOY 360, 1/2 H ; JIS H3250 C 3604BD OR EQUIVALENT
  - NICKEL PL. 60 MIN. THICK OVER COPPER STRIKE
  - BERYLLIUM COPPER PER QQ-C-530, ALLOY 173, 1/2 H ; FUJII FX301 OR EQUIVALENT
  - GOLD PL. 30 MIN. THICK OVER NICKEL PL. 100 MIN. THICK OVER COPPER STRIKE
  - TEFLON MIL-P-19468 OR EQUIVALENT
  - BERYLLIUM COPPER JIS C172DR-1/4H OR EQUIVALENT
  - COPPER PER ASTM B-75 ALLOY C12200 OR EQUIVALENT
  - NYLON66(WITH 33% GLASS FIBER) PER NYTEX COMPOSITES CO., LTD. GRADE MG-0033N-V0 OR EQUIVALENT
  - PBT(WITH 15% GLASS FIBER) PER CHANG CHUN GRADE 4115202



TABLE

KEY CODING	PART NO.	DRAWING NO.	ITEM NO.	LOCK COVER
A	FA1-NASJ-C04-0	FK6121AW-008-NT30G-50	FK6121AAA57NC5F	FKLC30101D
B	FA1-NBSJ-C04-0	FK6121BW-008-NT30G-50	FK6121AAB57NC5F	FKLC30102D
C	FA1-NCSJ-C04-0	FK6121CW-008-NT30G-50	FK6121AAC57NC5F	FKLC30103D
D	FA1-NDSJ-C04-0	FK6121DW-008-NT30G-50	FK6121AAD57NC5F	FKLC30104D
E	FA1-NESJ-C04-0	FK6121EW-008-NT30G-50	FK6121AAE57NC5F	FKLC30105D
F	FA1-NFSJ-C04-0	FK6121FW-008-NT30G-50	FK6121AAF57NC5F	FKLC30106D
G	FA1-NGSJ-C04-0	FK6121GW-008-NT30G-50	FK6121AAG57NC5F	FKLC30107D
H	FA1-NHSJ-C04-0	FK6121HW-008-NT30G-50	FK6121AAH57NC5F	FKLC30108D
I	FA1-NISJ-C04-0	FK6121IW-008-NT30G-50	FK6121AAI57NC5F	FKLC30109D
K	FA1-NKSJ-C04-0	FK6121KW-008-NT30G-50	FK6121AAK57NC5F	FKLC30110D
Z	FA1-NZSJ-C04-0	FK6121ZW-008-NT30G-50	FK6121AAZ57NC5F	FKLC30111D
L	FA1-NLSJ-C04-0	FK6121LW-008-NT30G-50	FK6121AAL57NC5F	FKLC30112D
M	FA1-NMSJ-C04-0	FK6121MW-008-NT30G-50	FK6121AAM57NC5F	FKLC30113D
N	FA1-NNSJ-C04-0	FK6121NW-008-NT30G-50	FK6121AAN57NC5F	FKLC30114D

DIMENSIONS ARE IN MILLIMETERS					PART NO. FA1-NXSJ-C04-0		<b>Amphenol</b> Danbury,CT,USA-Tainan,Taiwan-Shenzhen,China					
NO.	DESCRIPTION	MATERIAL	FINISH	Q'TY	DRAWING NO.	SCALE			ISSUE			
7	LOCK COVER	NOTE 9	NATURAL	1	FKLC00001B	UNLESS OTHERWISE SPECIFIED TOLERANCES 0.5-6 = ±0.2 6-30 = ±0.4 30-120 = ±0.6 120-315 = ±1 315-1000 = ±1.6 1000-2000 = ±2.4	APPROVED <i>Angela W</i> DATE 27-Sep-07	TITLE FAKRA SMB CRIMP JACK (FOR RG-58A/U, 58C/U CABLE)				
6	LOCK COVER	NOTE 8		1	SEE TABLE				CHECKED <i>Angela W</i> DATE 27-Sep-07	DRAWING NO. FK6121XX-008-NT30G-50		
5	FERRULE	NOTE 7	NOTE 2	1	FKFR00201A						DRAWN <i>Evan</i> DATE 27-Sep-07	ITEM NO. FK6121AAX57NC5F
4	CONTACT PIN	NOTE 3	NOTE 4	1	FKCP00401A							
3	RETAINER RING	NOTE 6	NATURAL	1	FKRR00101A							
2	INSULATOR	NOTE 5	NATURAL	1	FKNS00501A							
1	BODY	NOTE 1	NOTE 2	1	FKBD00501A							
FILE NO.	F:\DWG\FK\6121XX\008\50\NT30G-FSZ											

## X-ON Electronics

Largest Supplier of Electrical and Electronic Components

*Click to view similar products for [RF Connectors / Coaxial Connectors](#) category:*

*Click to view products by [Amphenol](#) manufacturer:*

Other Similar products are found below :

[8915-1511-000](#) [89674-0827](#) [6001-7071-019](#) [6002-7051-003](#) [6002-7551-202](#) [6059674-1](#) [619550-1](#) [630059-000](#) [M39030/3-01N](#) [M3933/25-36N](#) [6500-7071-046](#) [6769](#) [CX050L2AQ](#) [7002-1542-011](#) [7004-1512-000](#) [7009-1511-004](#) [7010-1511-000](#) [7029-1511-060](#) [7101-1541-010](#) [7101-1571-002](#) [7105-1521-002](#) [7145-1521-002](#) [7203-1571-003](#) [7209-1511-011](#) [7210-1511-015](#) [7210-1511-019](#) [73137-5015](#) [73216-2241](#) [7325-1512-000](#) [73404-2300](#) [7405-1521-005](#) [7405-1521-802](#) [7406-1521-005](#) [8527](#) [8547](#) [FS11V](#) [8808-1511-001](#) [9049-9513-000](#) [9074-9513-000](#) [9101-9573-002](#) [910A205F](#) [9130-9573-002](#) [PL11SC-026](#) [PL375-33](#) [PL40-5](#) [PL71-9](#) [PL74C-221](#) [PL75MC-217](#) [PL803-7](#) [980-8666-005](#)