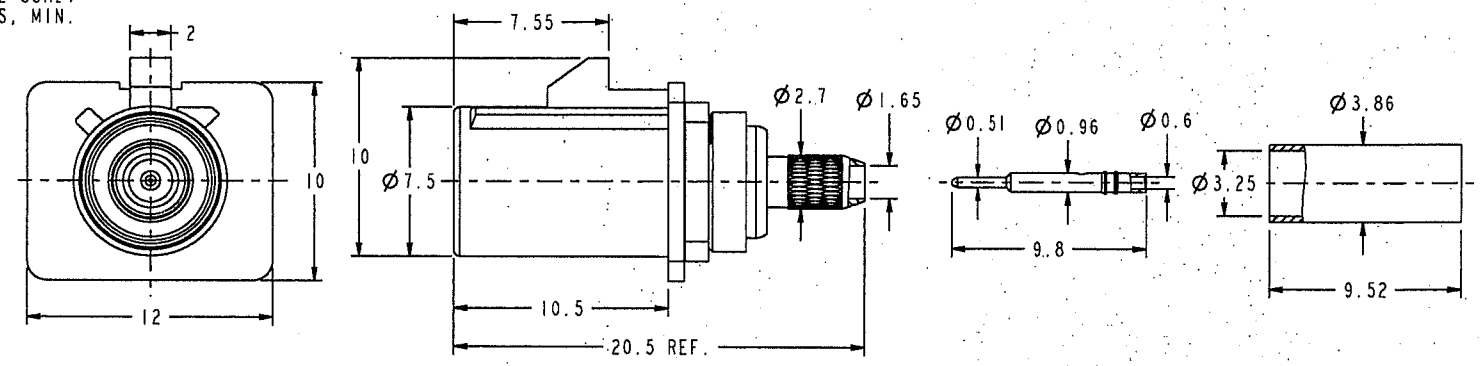
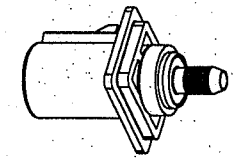


NOTES:

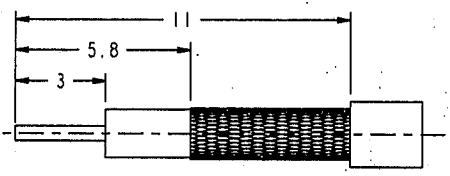
1. MATERIALS AND FINISHES (IN MICRO-INCHES)
 - BODY = BRASS (PER QQ-B-626, ALLOY 360, 1/2H OR EQUIVALENT)
 - NICKEL PL. 100 MIN. THICK OVER COPPER STRIKE
 - CONTACT PIN = BRASS (PER QQ-B-626, ALLOY 360, 1/2H OR EQUIVALENT); GOLD PL. 30 MIN. THICK OVER NICKEL PL. 100 MIN. THICK OVER COPPER STRIKE
 - LOCK COVER = PBT WITH 15% GLASS FIBER, PER CHANG CHUN GRADE 4115202 OR EQUIVALENT, COLOR: REFER TO TABLE BELOW FOR KEY CODE
 - INSULATOR = PTFE PER MIL-P-19468, NATURAL
 - FERRULE = COPPER (PER ASTM B-75 ALLOY C12200 OR EQUIVALENT) NICKEL PL. 100 MIN. THICK OVER COPPER STRIKE
 - BARREL = BRASS (PER QQ-B-626, ALLOY 360, 1/2H; JIS H3250 C 3604BD OR EQUIVALENT); NICKEL PL. 100 MIN. THICK OVER COPPER STRIKE
2. ELECTRICAL:
 - A. IMPEDANCE: 50 OHM (NOMINAL)
 - B. FREQUENCY RANGE: DC - 6 GHz, (OPTIMIZED FOR DC-4GHz)
 - C. VSWR (RETURN LOSS): 1.4 (-15.6 dB), MAX. (DC-2GHz) (MATED PAIR) 1.5 (-13.9 dB), MAX. (2-3GHz)
 - D. DIELECTRIC WITHSTANDING VOLTAGE: 800 VRMS, MIN.
3. MECHANICAL:
 - A. DURABILITY: 100 CYCLES MIN.
 - B. TEMPERATURE RANGE: -40° C TO 100° C
4. PACKAGING:
 - A. QUANTITY: TRAY PACK
 - B. MARKING: TRAY TO BE MARKED "AMPHENOL 2FAI-NXSP-C01-1, AND DATE CODE"
5. CRIMPED FERRULE:
 - HEX. CRIMP SIZE .128"
6. CRIMPED CONTACT PIN AFM8
 - ADJUST TO 4 POSITIONER K727

THIRD ANGLE PROJ.

REVISIONS				
REV	DESCRIPTION	DATE	ECO	APPR
B	BODY CHANGED AND UPDATED DIMENSION ON ASSEMBLY DRAWING	13-Aug-07	----	EM
C	ADDED COD DRAWING AND PPAP REQUIREMENT	14-Nov-08	----	EM



CODING	PART NO.	DRAWING NO.	COLOR	RAL NO.
A	FAI-NASP-C01-1	FK1121AW-007-NT30G-50	JET BLACK	9005
B	FAI-NBSP-C01-1	FK1121BW-007-NT30G-50	CREAM	9001
C	FAI-NCSP-C01-1	FK1121CW-007-NT30G-50	SIGNAL BLUE	5005
D	FAI-NDSP-C01-1	FK1121DW-007-NT30G-50	CLARET VIOLET	4004
E	FAI-NESP-C01-1	FK1121EW-007-NT30G-50	LEAF GREEN	6002
F	FAI-NFSP-C01-1	FK1121FW-007-NT30G-50	NUT BROWN	8011
G	FAI-NGSP-C01-1	FK1121GW-007-NT30G-50	BLUE GREY	7031
H	FAI-NHSP-C01-1	FK1121HW-007-NT30G-50	HEATHER VIOLET	4003
I	FAI-NISP-C01-1	FK1121IW-007-NT30G-50	BEIGE	1001
K	FAI-NKSP-C01-1	FK1121KW-007-NT30G-50	CURRY	1027
L	FAI-NLSP-C01-1	FK1121LW-007-NT30G-50	CARMINE RED	3002
M	FAI-NMSP-C01-1	FK1121MW-007-NT30G-50	PASTEL ORANGE	2003
N	FAI-NNSP-C01-1	FK1121NW-007-NT30G-50	PASTEL GREEN	6019
Z	FAI-NZSP-C01-1	FK1121ZW-007-NT30G-50	WATER BLUE	5021



RECOMMENDED CABLE STRIPPING DIM'S

CONFIGURATION CONTROL:
NO CHANGES PERMITTED TO DRAWING WITHOUT PPAP QUALIFIED CUSTOMER APPROVAL.

CUSTOMER OUTLINE DRAWING
ALL OTHER SHEETS ARE FOR INTERNAL USE ONLY

UNLESS OTHERWISE SPECIFIED, DIMENSIONS ARE IN METRIC AND TOLERANCES ARE:
 0.5 - 6mm ±0.1mm
 6 - 30mm ±0.2mm
 30 - 120mm ±0.3mm
 ANGLES ±1°

NOTICE - These drawings, specifications, or other data (1) are, and remain the property of Amphenol Corp. (2) must be returned upon request; and (3) are confidential and not to be disclosed to any person other than those to whom they are given by Amphenol Corp. The furnishing of these drawings, specifications, or other data by Amphenol Corp. or to any other person for any purpose is not to be regarded by implication or otherwise in any manner licensing, granting rights to permitting such holder or any other person to manufacture, use or sell any product, process or design, patented or otherwise, that may in any way be related to or disclosed by said drawings, specifications, or other data.

MATERIAL	DRAWN EMILY	DATE 23-Nov-07	TITLE FAKRA SMB CRIMP PLUG (FOR RG-174/U, 188A/U, 316/U)	Amphenol RF Danbury, CT, USA, Tainan, Taiwan, Shenzhen, China www.amphenolrf.com
REFERENCE	ENGINEER J. YANG	DATE 23-Nov-07	SCALE: 6.0:1.0 SHEET 2 OF 2	
FINISH	APPROVED ANGELA	DATE 23-Nov-07	DWG SIZE B	DRAWING NO. FK1121XX-007-NT30G-50
	CAD FILE 1:\FAKRA\FK1121XX-007-NT30G-50		CODE ID 74868	ITEM NO. FK1121AAX36NCSF
			REV C	PART NO. FAI-NXSP-C01-1

RD-DR 28969 page 2

X-ON Electronics

Largest Supplier of Electrical and Electronic Components

Click to view similar products for [RF Connectors / Coaxial Connectors](#) category:

Click to view products by [Amphenol](#) manufacturer:

Other Similar products are found below :

[8915-1511-000](#) [89674-0827](#) [6001-7071-019](#) [6002-7051-003](#) [6002-7551-202](#) [6059674-1](#) [619550-1](#) [630059-000](#) [M39030/3-01N](#) [M3933/25-36N](#) [6500-7071-046](#) [6769](#) [CX050L2AQ](#) [7002-1542-011](#) [7004-1512-000](#) [7009-1511-004](#) [7010-1511-000](#) [7029-1511-060](#) [7101-1541-010](#) [7101-1571-002](#) [7105-1521-002](#) [7145-1521-002](#) [7203-1571-003](#) [7209-1511-011](#) [7210-1511-015](#) [7210-1511-019](#) [73137-5015](#) [73216-2241](#) [7325-1512-000](#) [73404-2300](#) [7405-1521-005](#) [7405-1521-802](#) [7406-1521-005](#) [8527](#) [8547](#) [FS11V](#) [8808-1511-001](#) [9049-9513-000](#) [9074-9513-000](#) [9101-9573-002](#) [910A205F](#) [9130-9573-002](#) [PL11SC-026](#) [PL375-33](#) [PL40-5](#) [PL71-9](#) [PL74C-221](#) [PL75MC-217](#) [PL803-7](#) [980-8666-005](#)