

Fakra & Fakra II 50Ω High Performance Cost Effective SMB for the Automotor Ind.

An Interconnection System designed to address the growing need for reliable electrical and mechanical RF interconnection within the automotive environment. Specifically for Telematic applications such as GPS, Satellite Radio, Vehicle Internet Access, Remote Vehicle Diagnosis and Bluetooth. Straight Cable Type Terminations are Crimp/Crimp while Right Angle Cable Types are Solder/Crimp.

Fakra incorporates machined components Fakra II (2nd Generation) consists Die-Cast as well as Stamped & Formed Components

Electrical

Impedance - 50Ω
 Frequency Range - DC-4GHz
 VSWR - 1.5 max (4GHz)
 Insertion Loss - <0.3dB up to 4GHz
 Performance Spec - SAE/USCAR-17, 18

Visit www.amphenolrf.com for more information

Materials

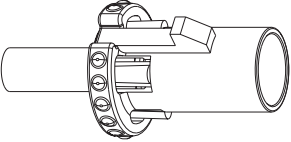
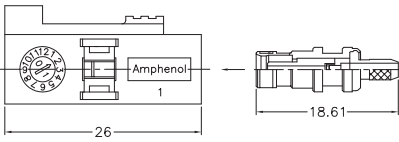
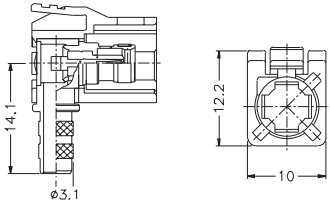
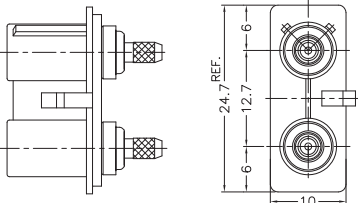
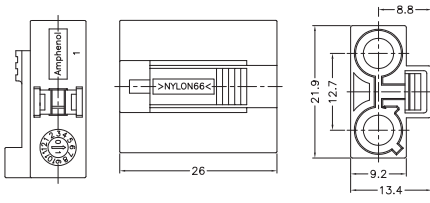
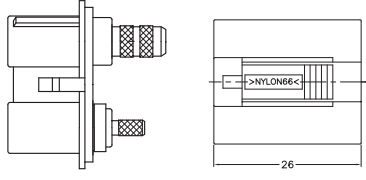
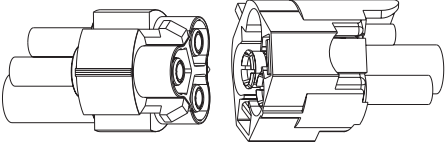
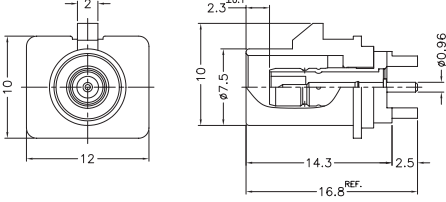
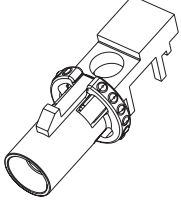
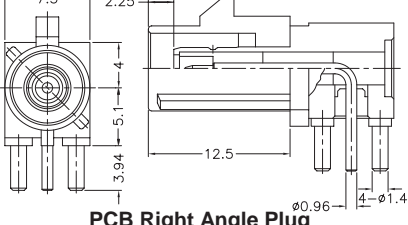
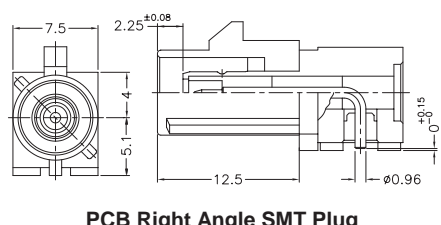
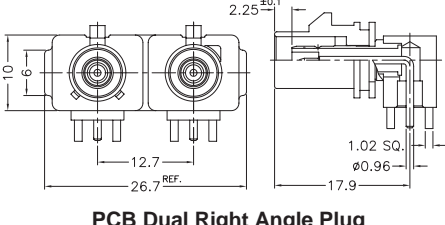
Jack/2nd Gen PCB Plug - Nylon 6/6
 Plug/PCB Plug - PBT+15%GF
 Body - Brass
 2nd Locking Clip - PBT+15%GF
 Female Contact - Beryllium Copper
 Male Contact - Brass
 Barrel - Brass

Features and Benefits







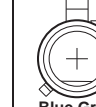

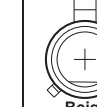
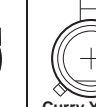
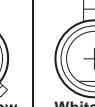
Temperature - -40°C ~ 115°C
 Durability - 100 min
 Vibration/Shock - Mil-STD-202

Applications

GPS, Satellite Radio, Vehicle Internet Access, Remote Vehicle Diagnosis and Bluetooth

 <p>Single Straight Cable Plug</p>		 <p>Single Straight Cable Jack</p>		 <p>Right Angle Single Cable Jack</p>	
Part Number	Description	Part Number	Description	Part Number	Description
FA1-NxSP-C01-1	RG174/188/316	FA1-NxSJ-C01-0	RG174/188/316	FA1-NxRJ-C01-0	RG174/188/316
FA1-NxSP-C04-1	RG58/141	FA1-NxSJ-C04-0	RG58/141	FA1-NxRJ-C04-0	RG58/141
2FA1-NxSP-C01-1	2 nd Gen RG174/188/316	2FA1-NxSJ-C01-0	2 nd Gen RG174/188/316	2FA1-NxRJ-C01-0	2 nd Gen RG174/188/316
2FA1-NxSP-C04-1	2 nd Gen RG58/141	2FA1-NxSJ-C04-0	2 nd Gen RG58/141	2FA1-NxRJ-C04-0	2 nd Gen RG58/141
 <p>Dual Straight Cable Plugs</p>		 <p>Dual Straight Cable Jacks</p>		 <p>Plug Combo Straight for RG58 & RG174</p>	
Part Number	Description	Part Number	Description	Part Number	Description
FA2-NxSP-C01-9	RG174/188/316	FA2-NxSJ-C01-0	RG174/188/316	FA2-NxSP-C00-9	Plug
FA2-NxSP-C04-9	RG58/141	FA2-NxSJ-C04-0	RG58/141	2FA2-NxSP-C00-9	2 nd Gen Plug
2FA2-NxSP-C01-9	2 nd Gen RG174/188/316	2FA2-NxSJ-C01-0	2 nd Gen RG174/188/316	FA2-NxSJ-C00-6	Jack
2FA2-NxSP-C04-9	2 nd Gen RG58/141	2FA2-NxSJ-C04-0	2 nd Gen RG58/141	2FA2-NxSJ-C00-0	2 nd Gen Jack
 <p>Tri Straight Cable</p>		 <p>PCB Vertical Plug</p>		 <p>PCB Straight SMT Plug</p>	
Part Numbers upon request		Part Number	FA1-NxSP-PCB-2	Part Number	FA1-NxSP-PCB-X
 <p>PCB Right Angle Plug</p>		 <p>PCB Right Angle SMT Plug</p>		 <p>PCB Dual Right Angle Plug</p>	
Part Number	FA1-NxRP-PCB-10	Part Number	FA1-NxRP-PCB-11	Part Number	FC2-NKERP-PCB-S

Mechanical And Colour Coding Replace x with code indicated below code diagram for appropriate solution (Keying from Plug side)

										
A	B	C	D	E	F	G	H	I	K	WIZ

X-ON Electronics

Largest Supplier of Electrical and Electronic Components

Click to view similar products for [RF Connectors / Coaxial Connectors](#) category:

Click to view products by [Amphenol](#) manufacturer:

Other Similar products are found below :

[8915-1511-000](#) [89674-0827](#) [6001-7071-019](#) [6002-7051-003](#) [6002-7551-202](#) [6059674-1](#) [619550-1](#) [630059-000](#) [M39030/3-01N](#) [6500-7071-046](#) [6769](#) [CX050L2AQ](#) [7002-1542-011](#) [7004-1512-000](#) [7009-1511-004](#) [7010-1511-000](#) [7029-1511-060](#) [7101-1541-010](#) [7101-1571-002](#) [7105-1521-002](#) [7145-1521-002](#) [7203-1571-003](#) [7209-1511-011](#) [7210-1511-015](#) [7210-1511-019](#) [73137-5015](#) [73216-2241](#) [7325-1512-000](#) [73404-2300](#) [7405-1521-005](#) [7405-1521-802](#) [7406-1521-005](#) [8527](#) [8547](#) [FS11V](#) [8808-1511-001](#) [9049-9513-000](#) [9074-9513-000](#) [9101-9573-002](#) [910A205F](#) [9130-9573-002](#) [PL11SC-026](#) [PL375-33](#) [PL40-5](#) [PL71-9](#) [PL74C-221](#) [PL75MC-217](#) [PL803-7](#) [980-8666-005](#) [1200690078](#)