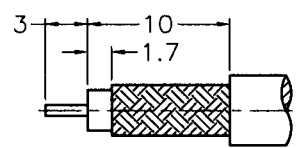


REVISIONS		
ISS	ZONE	DESCRIPTION\PER REQUEST\DATE
A1	D-3	ADDED 2.3±0.1 \N/A\12-04-01'
A2	B-6	ADDED KEY CODING\N/A\12-26-01'
A3	B-6	CANCELLED L AND M KEY CODING\N/A\02-13-03'

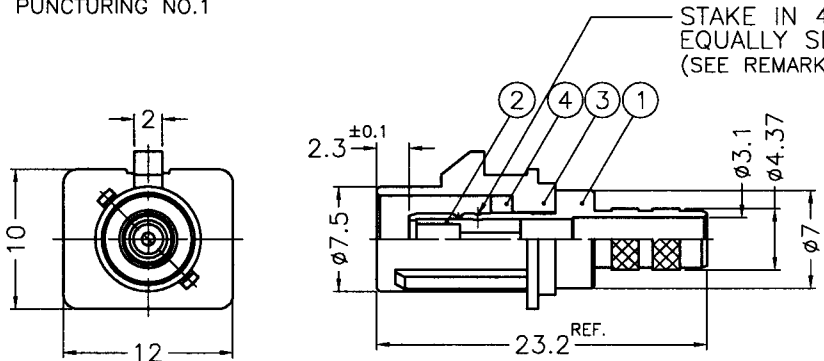
CONFIGURATION CONTROL:
NO CHANGES PERMITTED TO DRAWING WITHOUT
PPAP QUALIFIED CUSTOMER APPROVAL



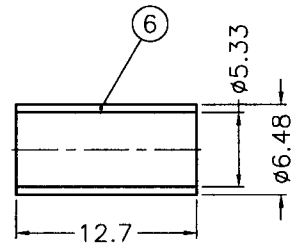
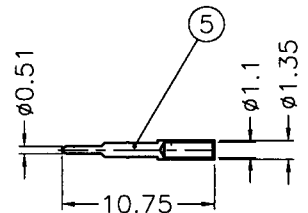
RECOMMENDED
CABLE STRIPPING DIM'S

1. CRIMPED FERRULE
HEX CRIMP SIZE .213"
2. CRIMPED CONTACT PIN AFM8
ADJUST TO 6 OR 7
POSITIONER K1470

REMARK: 1. NO.2 MUST WITHSTAND A 4 lbs. MIN.
PUSHOUT FORCE FROM NO.1 AFTER STAKING
OPERATION
2. REMARK 1 IS MAINTAINED BY STAMPING THE
FOUR POINTS SHOWN ON THE DRAWING WITHOUT
PUNCTURING NO.1



STAKE IN 4 PLACES
EQUALLY SPACED 90° APART
(SEE REMARK 1,2)



TABLE

KEY CODING	PART NO.	DRAWING NO.	ITEM NO.	LOCK COVER
A	FA1-NASP-C04-1	FK1121AW-008-NT30G-50	FK1121AAA57NC5F	FKLC10201A
B	FA1-NBSP-C04-1	FK1121BW-008-NT30G-50	FK1121AAB57NC5F	FKLC10202A
C	FA1-NCSP-C04-1	FK1121CW-008-NT30G-50	FK1121AAC57NC5F	FKLC10203A
D	FA1-NDSP-C04-1	FK1121DW-008-NT30G-50	FK1121AAD57NC5F	FKLC10204A
E	FA1-NESP-C04-1	FK1121EW-008-NT30G-50	FK1121AAE57NC5F	FKLC10205A
F	FA1-NFSP-C04-1	FK1121FW-008-NT30G-50	FK1121AAF57NC5F	FKLC10206A
G	FA1-NGSP-C04-1	FK1121GW-008-NT30G-50	FK1121AAG57NC5F	FKLC10207A
H	FA1-NHSP-C04-1	FK1121HW-008-NT30G-50	FK1121AAH57NC5F	FKLC10208A
I	FA1-NISP-C04-1	FK1121IW-008-NT30G-50	FK1121AAI57NC5F	FKLC10209A
K	FA1-NKSP-C04-1	FK1121KW-008-NT30G-50	FK1121AAK57NC5F	FKLC10210A
Z	FA1-NZSP-C04-1	FK1121ZW-008-NT30G-50	FK1121AAZ57NC5F	FKLC10211A

- NOTES: FINISH (PLATING THICKNESS IN MICRO-INCHES)
1. BRASS PER QQ-B-626, ALLOY 360, 1/2 H ; JIS H3250 C 3604BD OR EQUIVALENT
 2. NICKEL PL. 60 MIN. THICK OVER OPTIONAL COPPER STRIKE
 3. GOLD PL. 30 MIN. THICK OVER NICKEL PL. 100 MIN. THICK OVER OPTIONAL COPPER STRIKE
 4. TEFLON MIL-P-19468 OR EQUIVALENT
 5. COPPER PER ASTM B-75 ALLOY C12200 OR EQUIVALENT
 6. PBT(WITH 15% GLASS FIBER) PER CHANG CHUN GRADE 4115202 OR EQUIVALENT

DIMENSIONS ARE IN MILLIMETERS					PART NO. FA1-NXSP-C04-1		Amphenol			
6	FERRULE	NOTE 5	NOTE 2	1	FKFR00201A	APPROVED	DATE	Danbury,CT,USA-Tainan,Taiwan-Shenzhen,China		
5	CONTACT PIN	NOTE 1	NOTE 3	1	FKCP00301A	MARK CHU	05-02-03'	TITLE FAKRA SMB CRIMP PLUG (FOR RG-58A/U, 58C/U CABLE)		
4	RING	NOTE 1	NOTE 2	1	FKLR00101A	CHECKED	DATE	DRAWING NO. FK1121XX-008-NT30G-50		
3	LOCK COVER	NOTE 6		1	SEE TABLE	COASE WANG	05-02-03'	ITEM NO. FK1121AAX57NC5F		
2	INSULATOR	NOTE 4	NATURAL	1	FKNS00401A	DRAWN	DATE			
1	BODY	NOTE 1	NOTE 2	1	FKBD00401A	LILY CHIU	05-02-03'			
NO.	DESCRIPTION	MATERIAL	FINISH	Q'TY	DRAWING NO.	SCALE	2/1	ISSUE	A3	FILE NO.F:\DWG\FK\1121XX\008\50\NT30G-A3-PPAP

X-ON Electronics

Largest Supplier of Electrical and Electronic Components

Click to view similar products for [RF Connectors / Coaxial Connectors](#) category:

Click to view products by [Amphenol](#) manufacturer:

Other Similar products are found below :

[8915-1511-000](#) [89674-0827](#) [6002-7051-003](#) [6059674-1](#) [619550-1](#) [630059-000](#) [M39030/3-01N](#) [6501-1071-002](#) [6769](#) [7002-1541-010](#) [7002-1572-002](#) [7003-1542-011](#) [7004-1512-000](#) [7009-1511-004](#) [7101-1541-010](#) [7101-1571-002](#) [7105-1521-002](#) [7203-1571-003](#) [7209-1511-011](#) [7210-1511-040](#) [7242-1511-000](#) [73216-2241](#) [73404-2300](#) [7405-1521-005](#) [7405-1521-802](#) [8527](#) [8547](#) [FS11V](#) [877931](#) [8808-1511-001](#) [9074-9513-000](#) [PL40-36](#) [PL40-5](#) [PL71-9](#) [9408-1113-000](#) [9476-1113-000](#) [980-8666-005](#) [1200690078](#) [1-201144-1](#) [120919](#) [R107003010W](#) [R112186000](#) [R113053000W](#) [R113082097](#) [R113236000](#) [R113240000](#) [R113240097](#) [R114083000](#) [R114670000W](#) [R123415000W](#)