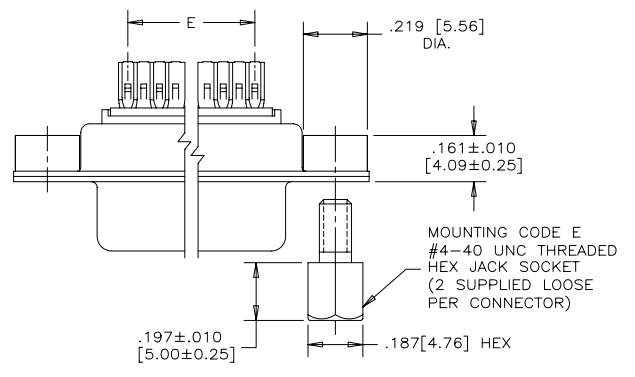


REVISIONS			
REV	ECN, ERN NO.	DATE	APPRD.
K	PRODUCT DRAWING (EAR13732)	JUN16/10	K.L.



ORDERING CODE: **F C C 1 7 - E 0 9 P M - 4 4 0 G**

SERIES —————

SIZE/NUMBER OF CONTACTS
E09, A15, B25, OR C37

CONNECTOR STYLE
P = PIN
S = SOCKET

TERMINATION TYPE
M = SOLDER CUP

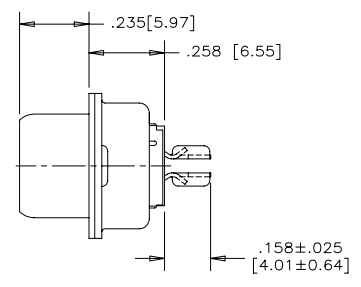
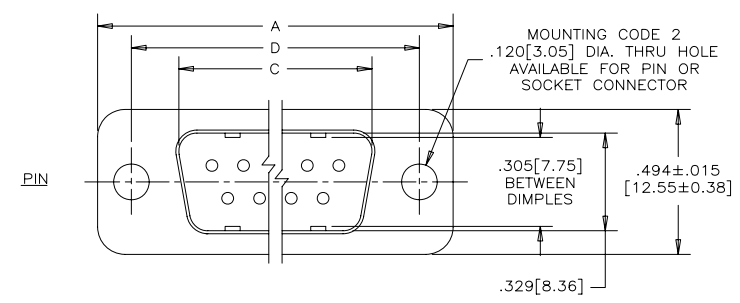
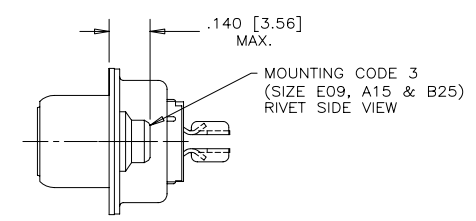
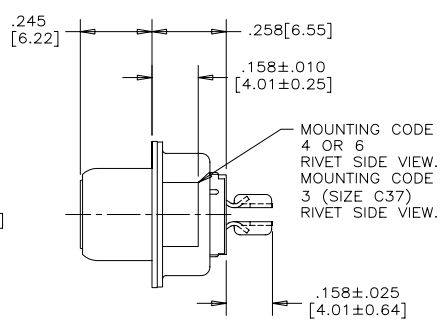
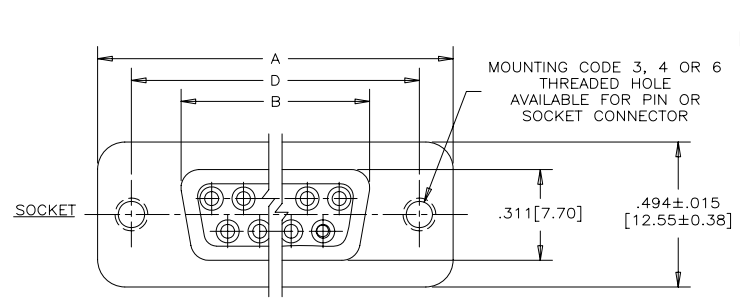
MOUNTING
2 = .120[3.05] DIA THROUGH HOLE
3 = #4-40 UNC SELF-LOCKING THREAD
4 = #4-40 UNC THREAD
6 = M3 x 0.5 THREAD
E = CODE 4 MOUNTING WITH #4-40 UNC HEX JACK SOCKET SUPPLIED LOOSE

CONTACT FINISH/GOLD THICKNESS
NO DIGIT = STANDARD 15 MICRONS [0.38 MICRONS] GOLD
G = 50 MICRONS [1.27 MICRONS] GOLD

MODIFIER
0 = STANDARD

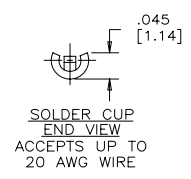
FILTER CAPACITANCE
D = 50 pF 5 = 1000 pF
B = 100 pF 7 = 1200 pF
0 = 180 pF 6 = 1300 pF
T = 220 pF J = 1500 pF
F = 330 pF E = 2200 pF
L = 380 pF 9 = 5600 pF
1 = 470 pF 8 = 47000pF
4 = 820 pF N = NO FILTERS

REFER TO AMPHENOL CATALOGUE FOR FILTER PERFORMANCE CHARACTERISTICS



- NOTES:**
- MATERIALS: — SHELLS — TIN PLATED STEEL
— CONTACTS — PHOSPHOR BRONZE PLATED WITH GOLD OVER NICKEL ON THE MATING AREA AND TIN-LEAD ON THE TERMINALS
— INSULATOR — ENGINEERING THERMOPLASTIC, FLAMMABILITY RATING UL94V-0, BLACK.
 - CONTACT RESISTANCE: 15 MILLIOHMS MAXIMUM.
 - INSULATION RESISTANCE: 3000 MEGOHMS MINIMUM
 - CURRENT RATING: 5 AMPS MAXIMUM
2 AMPS FILTERING MAXIMUM
 - OPERATING TEMPERATURE: -40°C TO 85°C.
 - TOLERANCE, UNLESS INDICATED OTHERWISE, ±.005 [0.13].

SIZE	STYLE	A±.015 [0.38]	B±.005 [0.13]	C±.005 [0.13]	D±.005 [0.13]	E BSC.
E09	PIN	1.213 [30.81]	-----	.666[16.92]	.984 [24.99]	.432 [10.97]
	SOCKET		.643[16.33]	-----		
A15	PIN	1.541 [39.14]	-----	.994[25.25]	1.312 [33.32]	.756 [19.20]
	SOCKET		.971[24.66]	-----		
B25	PIN	2.088 [53.04]	-----	1.534[38.96]	1.852 [47.04]	1.304 [33.12]
	SOCKET		1.511[38.38]	-----		
C37	PIN	2.729 [69.32]	-----	2.182[55.42]	2.500 [63.50]	1.956 [49.68]
	SOCKET		2.159[54.84]	-----		



DRAWN <i>I.ESSAJEE</i>	DATE <i>98/03/09</i>
DESIGNED <i>K.LAMBIE</i>	<i>98/03/04</i>
CHECKED	
I. E. APPRD.	
Q. A. APPRD.	
DWG. APPRD.	
ENG. REL. NO.	
REF.	
DIMENSIONS ARE IN INCHES [mm]	CODE ID. NO. 03554

Amphenol Canada Corp.			
TITLE FCC17 FILTERED D-SUB CONNECTOR, PIN & SOCKET, SOLDER CUP CONTACTS			
DWG C	DRAWING NO. P-FCC17-XXXXM-XXOX	REV. K	
SCALE 3/1	WT. -----	SURF. -----	SHEET 1 OF 1

THIS DOCUMENT CONTAINS PROPRIETARY INFORMATION AND SUCH INFORMATION MAY NOT BE DISCLOSED TO OTHERS FOR ANY PURPOSE OR USED FOR MANUFACTURING PURPOSES WITHOUT WRITTEN PERMISSION FROM AMPHENOL CANADA CORP.

X-ON Electronics

Largest Supplier of Electrical and Electronic Components

Click to view similar products for [D-Sub Standard Connectors](#) category:

Click to view products by [Amphenol](#) manufacturer:

Other Similar products are found below :

[56F706-005-LI](#) [56F711-015](#) [LV242999-142T12](#) [015-0341-000](#) [015-0372-005](#) [015-0372-008](#) [015-8755-001](#) [020419-0104](#) [012-0467-000](#)
[012-9507-034](#) [012-9507-114](#) [020745-0008](#) [609-25P](#) [CT2-18-11PCAU](#) [CT6-10SL-3SC](#) [CT6-10SL-4SC](#) [CT6-14S-2SC](#) [CT6E14SA7SC](#)
[CT6N10SL-4SSA34](#) [M83513/01-FC](#) [M83723/76W24619 L/C](#) [M85049/48-3-2F](#) [6STD09PCM99B70X](#) [6STD09SCM99B30X](#)
[6STD09SCT99S40X](#) [6STD15PCT99S40X](#) [6STD15SCT99S40X](#) [6STF09PCM05B70X](#) [7-135760-9](#) [MC11E-10-6SN](#) [747552-3](#) [MD1-21PS](#)
[MDM-15SCBRM7-F222](#) [MDM96517-699](#) [MDM96521-744](#) [MDVB1-21SL1](#) [MIK0-1-7SH003](#) [MIKQ6-7SH076](#) [MIKQ7-7PH077](#) [MIKQ7-](#)
[7PH11](#) [MIKQ7-7PH32](#) [MJSV-28SL61](#) [MKJ4A1F14-55S](#) [8-135760-3](#) [8STD09PCM99B30X](#) [PG-KV/PV-16-GROM-SEALING](#) [GDA15P](#)
[GDAY15PB](#) [980-0000-170](#) [980-0000-171](#)