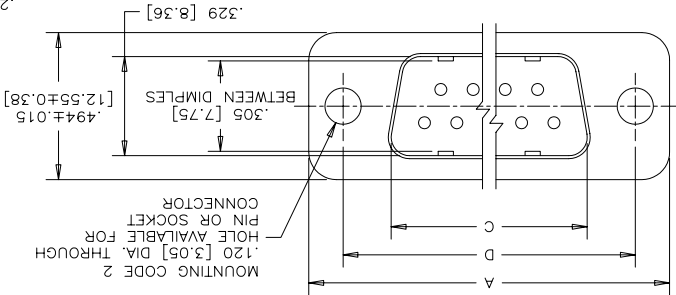
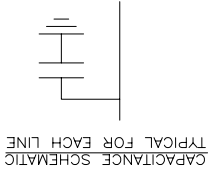
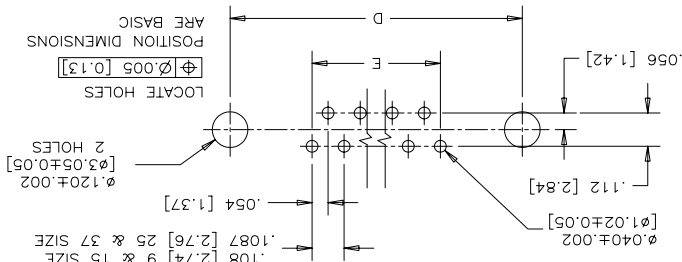


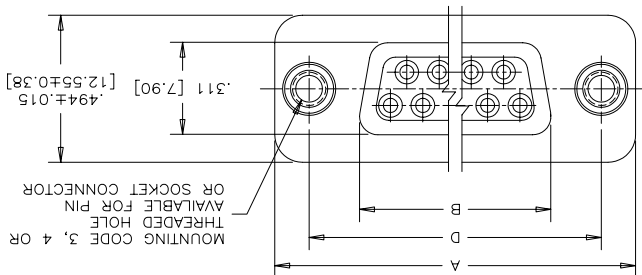
THIS DOCUMENT CONTAINS PROPRIETARY INFORMATION AND SUCH INFORMATION MAY NOT BE DISCLOSED TO OTHERS FOR ANY PURPOSE OR USED FOR MANUFACTURING PURPOSES WITHOUT WRITTEN PERMISSION FROM AMPHENOL CANADA CORP.

SEE SHEET #2 FOR ADDITIONAL MOUNTING OPTION VIEWS

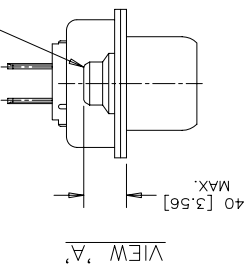
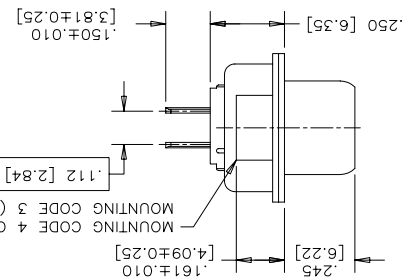
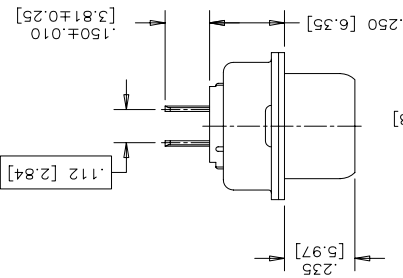
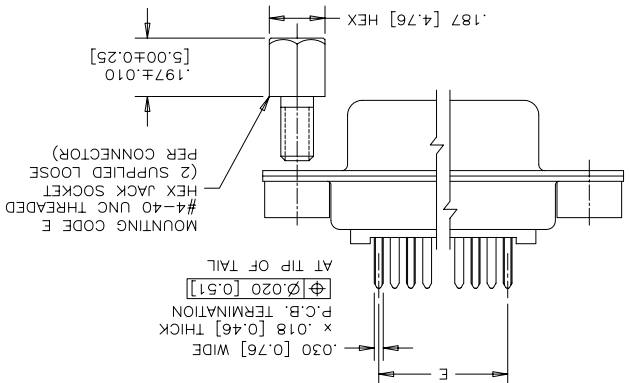
RECOMMENDED P.C.B. LAYOUT
(COMPONENT SIDE OF BOARD)



PIN



SOCKET



SIZE	STYLE	A±.015	B±.005	C±.005	D±.005	E BSC.
E09	PIN	1.213	0.666 [16.92]	0.984	[24.99]	[10.97]
	SOCKET	[30.81]	---	---	---	---
A15	PIN	1.541	0.971 [24.66]	1.312	[33.32]	[19.20]
	SOCKET	[39.14]	---	---	---	---
B25	PIN	2.088	1.534 [38.96]	1.852	[47.04]	[33.12]
	SOCKET	[53.04]	---	---	---	---
C37	PIN	2.729	2.182 [55.42]	2.500	[63.50]	[49.68]
	SOCKET	[69.32]	---	---	---	---

1. MATERIALS: - SHELLS - TIN PLATED STEEL
- CONTACTS - PHOSPHOR BRONZE PLATED WITH GOLD OVER NICKEL ON THE MATING AREA AND TIN-LEAD ON THE TERMINALS
- INSULATOR - ENGINEERING THERMOPLASTIC, FLAMMABILITY RATING UL94V-0, BLACK.
2. CONTACT RESISTANCE: 15 MILLIOHMS MAXIMUM.
3. INSULATION RESISTANCE: 3000 MEGOHMS MINIMUM.
4. CURRENT RATING: 5 AMPS MAXIMUM
2 AMPS FILTERING MAXIMUM
5. OPERATING TEMPERATURE: -40°C TO 85°C.
6. TOLERANCE, UNLESS INDICATED OTHERWISE, ±.005 [0.13].

NOTES:

- 3= #4-40 UNC SELF-LOOKING THREAD
 - 4= #4-40 UNC THREAD
 - 5= #4-40 UNC THREADED STANDOFF
 - 6= M3 x 0.5 THREAD
 - 9= STANDOFF WITH BOARDLOCK & BOARDLOCK
 - A= #4-40 THREADED STANDOFF WITH BOARDLOCK
 - E= CODE 4 MOUNTING WITH #4-40 UNC HEX JACK SOCKET SUPPLIED.
 - J= M3 x 0.5 THREADED STANDOFF WITH BOARDLOCK
1. MATERIALS: - SHELLS - TIN PLATED STEEL
- CONTACTS - PHOSPHOR BRONZE PLATED WITH GOLD OVER NICKEL ON THE MATING AREA AND TIN-LEAD ON THE TERMINALS
- INSULATOR - ENGINEERING THERMOPLASTIC, FLAMMABILITY RATING UL94V-0, BLACK.
2. CONTACT RESISTANCE: 15 MILLIOHMS MAXIMUM.
3. INSULATION RESISTANCE: 3000 MEGOHMS MINIMUM.
4. CURRENT RATING: 5 AMPS MAXIMUM
2 AMPS FILTERING MAXIMUM
5. OPERATING TEMPERATURE: -40°C TO 85°C.
6. TOLERANCE, UNLESS INDICATED OTHERWISE, ±.005 [0.13].
- ORDERING CODE: F C C 1 7 - E 0 9 P E - 4 4 0 G
- SERIES
- SIZE/NUMBER OF CONTACTS
E09, A15, B25, OR C37
- CONNECTOR STYLE
S=SOCKET
P=PIN
- TERMINATION TYPE
E=VERTICAL MOUNT PCB TAIL
- FILTER CAPACITANCE
D=50 pF
B=100 pF
E=2200 pF
F=330 pF
G=50 MICRONES [1.27 MICRONS]
H=1200 pF
I=4700 pF
J=820 pF
K=NOT FILTERED
- REFER TO AMPHENOL CATALOGUE FOR FILTER PERFORMANCE CHARACTERISTICS
- MOUNTING
2=120 [3.05] DIA THROUGH HOLE
3= #4-40 UNC SELF-LOOKING THREAD
4= #4-40 UNC THREAD
5= #4-40 UNC THREADED STANDOFF
6= M3 x 0.5 THREAD
9= STANDOFF WITH BOARDLOCK & BOARDLOCK
A= #4-40 THREADED STANDOFF WITH BOARDLOCK
E= CODE 4 MOUNTING WITH #4-40 UNC HEX JACK SOCKET SUPPLIED.
J= M3 x 0.5 THREADED STANDOFF WITH BOARDLOCK

REV	ECN, ERN NO.	DATE	APPRD.
J	PRODUCT DRAWING (EAR 12782)	JUN27/05	K.L.

REVISIONS

DATE 97/12/01
DRAWN L.S.SAJEE
DESIGNED K.LAMBIE
CHECKED
I. E. APPRD.
Q. A. APPRD.
DWG. APPRD.
ENG. REL. NO.
REF. DIMENSIONS ARE IN INCHES /mm/ 03554
SCALE 3/1
SURF. ---
SHEET 1 OF 2
REV. J
DWG. DRAWING NO. P-FCC17-XXXXE-XXOX
TITLE FCC17 FILTERED D-SUB, VERTICAL MOUNT PCB TAIL, PIN & SOCKET
Amphenol Canada Corp.

F

E

D

C

B

A

F

E

D

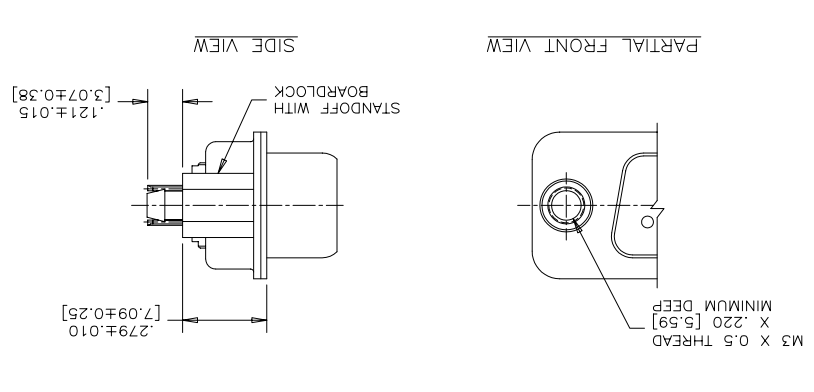
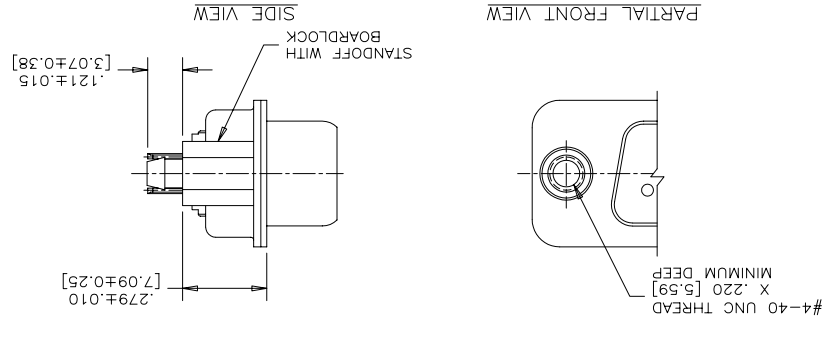
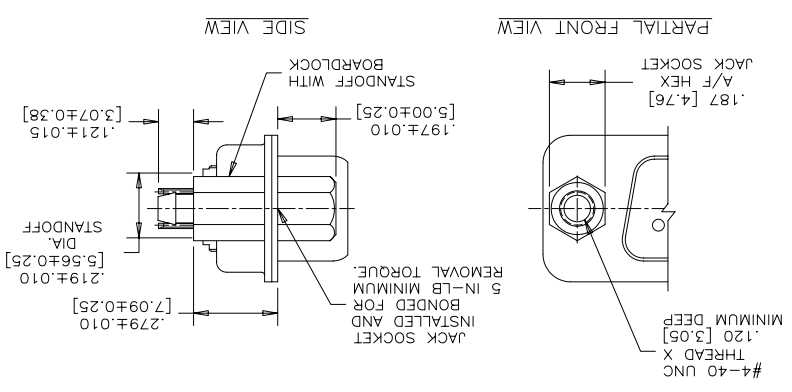
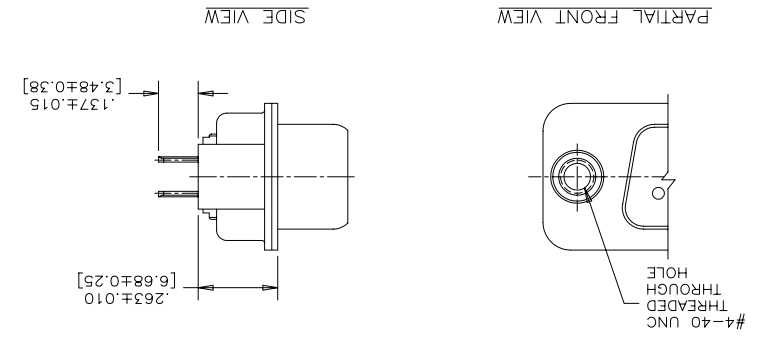
C

B

A

REVISIONS	
REV	ECN, ERN NO.
J	PRODUCT DRAWING (EAR 12782)
	DATE
	JUN27/05
	K.L.

ADDITIONAL MOUNTING OPTIONS AVAILABLE FOR PIN OR SOCKET CONNECTOR



DATE	97/12/01	DRAWN	LESSAJEE
DESIGNED	K.LAMBIE	97/11/27	CHECKED
L. E. APPRD.			
Q. A. APPRD.			
DWG. APPRD.			
ENG. REL. NO.			
REF:			
DIMENSIONS ARE IN INCHES [mm]			
CODE ID. NO.	03554	SCALE	3/1
WT.		SURF.	
SHEET 2 OF 2			

THIS DOCUMENT CONTAINS PROPRIETARY INFORMATION AND SUCH INFORMATION MAY NOT BE DISCLOSED TO OTHERS FOR ANY PURPOSE OR USED FOR MANUFACTURING PURPOSES WITHOUT WRITTEN PERMISSION FROM AMPHENOL CANADA CORP.

AMPHENOL CANADA CORP.

TITLE: FCC17 FILTERED D-SUB, VERTICAL MOUNT PCB TAIL, PIN & SOCKET

DWG. DRAWING NO. P-FCC17-XXXXE-XXOX

REV. J

X-ON Electronics

Largest Supplier of Electrical and Electronic Components

Click to view similar products for [D-Sub Standard Connectors](#) category:

Click to view products by [Amphenol](#) manufacturer:

Other Similar products are found below :

[DCM37S732N](#) [DAM15P500](#) [DEV09S364GTLF](#) [DEM09P032N](#) [DDM50P732N](#) [DAM15S332N](#) [173109-2218](#) [173109-2466](#) [173109-2436](#)
[173109-2435](#) [56F706-005-LI](#) [56F711-015](#) [015-0341-000](#) [015-0372-008](#) [015-8544-011](#) [017041-0005](#) [020419-0104](#) [012-0515-000](#) [012-9507-](#)
[034](#) [012-9507-114](#) [012-9534-001](#) [020745-0008](#) [609-25P](#) [M24308/2-23Z](#) [M243082310F](#) [M243082410F](#) [M243082411F](#) [M24308/4-21](#)
[CT1A18-11PSA206](#) [CT1N36-5SC](#) [CT2-16S-17PS](#) [CT2-20-15PCAU](#) [CT2-24-12PS](#) [CT2-24-28PSF127A206](#) [CT2-32-9PC](#) [CT6F9767-14-4-](#)
[14S-5PC](#) [CT6FA10SL-4PS](#) [CT7-18-10SC](#) [CT7-18-10SCAU](#) [CT7-18-12SCAU](#) [CT7-18-1PC](#) [CT7-18-1PCAU](#) [CT7-18-21SCAU](#) [M83513/01-](#)
[FC](#) [M83723/76W24619 L/C](#) [M85049/48-3-2F](#) [69001-865](#) [6STD09PCM99B70X](#) [6STD09SCM99B30X](#) [6STD09SCT99S40X](#)