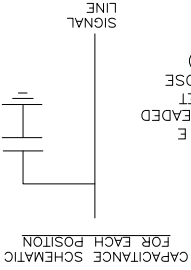
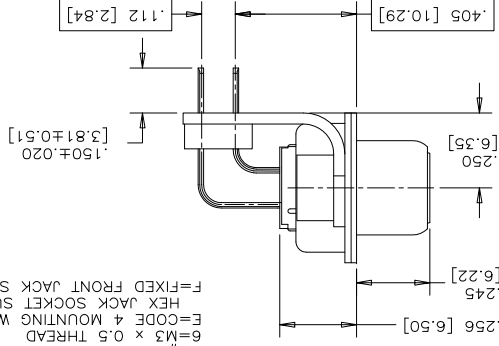
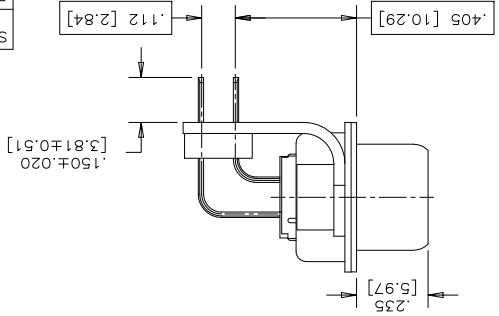
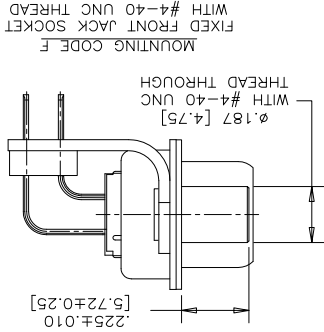
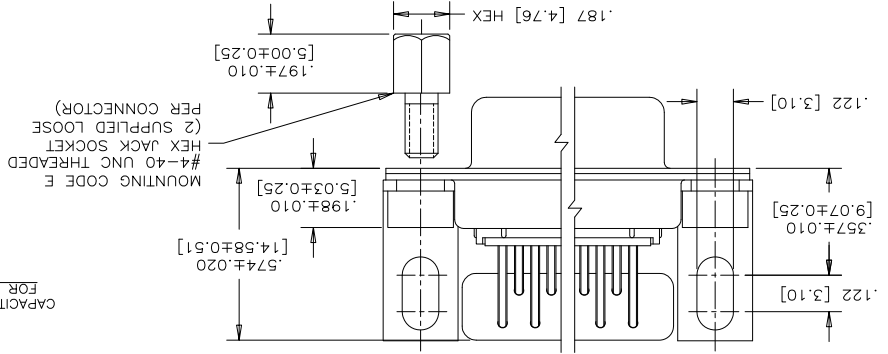
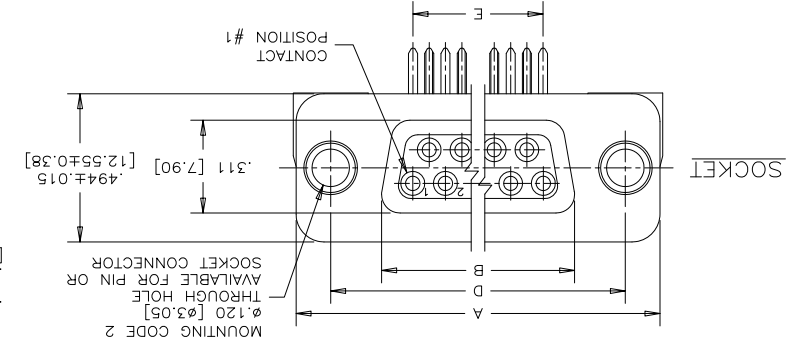
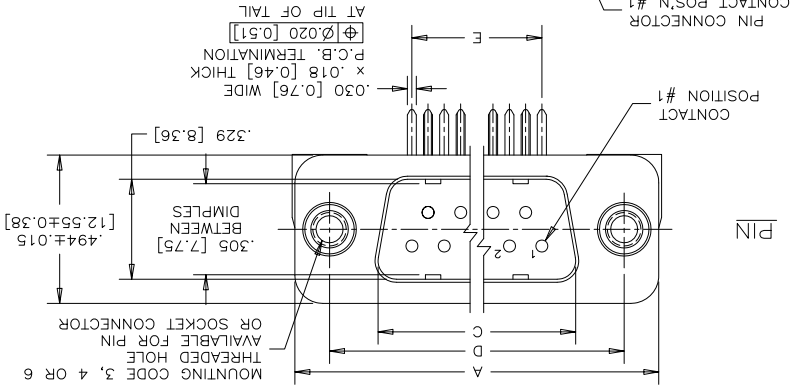
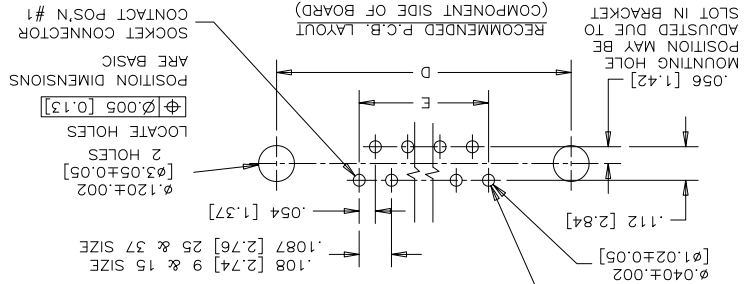


THIS DOCUMENT CONTAINS PROPRIETARY INFORMATION AND SUCH INFORMATION MAY NOT BE DISCLOSED TO OTHERS FOR ANY PURPOSE OR USED FOR MANUFACTURING PURPOSES WITHOUT WRITTEN PERMISSION FROM AMPHENOL CANADA CORP.



SIZE	STYLE	A±.015	B±.005	C±.005	D±.005	E BSC.
E09	PIN	1.213	-.666	-.984	24.99	10.97
A15	PIN	1.541	-.994	1.312	19.20	7.56
B25	PIN	2.088	1.534	1.852	13.04	3.12
C37	PIN	2.729	2.182	2.500	1.956	1.956
	SOCKET	53.04	1.511	1.852	13.04	3.12
	SOCKET	59.14	1.971	1.312	19.20	7.56
	SOCKET	69.32	2.159	1.852	13.04	3.12
	SOCKET	72.9	2.182	2.500	1.956	1.956

- NOTES:
- 1) MATERIALS: ALL MATERIALS ARE ROHS COMPLIANT. SHELL: STEEL, TIN PLATED. CONTACTS: PHOSPHOR BRONZE, GOLD PLATED OVER 50µ" [1.27 MICRONS] NICKEL IN THE MATING AREA AND 100µ" [2.54 MICRONS] MIN. MATTE TIN ON THE TAILS. INSULATOR: ENGINEERING THERMOPLASTIC, GLASS REINFORCED, UL FLAMMABILITY RATING 94V-0, COLOUR: BLACK. MOUNTING HARDWARE, STEEL OR COPPER ALLOY, TIN OR NICKEL PLATED.
 - 2) CONTACT RESISTANCE: 15 MILLIOHMS MAXIMUM.
 - 3) INSULATION RESISTANCE: 3000 MEGOHMS MINIMUM.
 - 4) CURRENT RATING: 5 AMP MAXIMUM.
 - 5) OPERATING TEMPERATURE: -40°C TO 85°C.
 - 6) TOLERANCE ±.005 [0.13] UNLESS INDICATED OTHERWISE.



- ORDERING CODE: F C E 1 7 - E 0 9 P B - 4 4 B G
- SERIES: FCE17=FILTERED D-SUB, ROHS
- SIZE/NUMBER OF CONTACTS: E09, A15, B25, OR C37
- CONNECTOR STYLE: P=PIN, S=SOCKET
- TERMINATION TYPE: B=405 [10.29] FOOTPRINT
- MOUNTING: MOUNTING #4-40 UNC SELF-LOCKING THREAD
- 2=.120 [3.05] DIA THROUGH HOLE
- 3=#4-40 UNC
- 4=#4-40 UNC THREAD
- 6=3 X 0.5 THREAD
- E=CODE 4 MOUNTING WITH #4-40 UNC HEX JACK SOCKET SUPPLIED.
- F=FIXED FRONT JACK SOCKET #4-40 UNC
- REFER TO AMPHENOL CATALOGUE FOR FILTER PERFORMANCE CHARACTERISTICS
- FILTER CAPACITANCE:
- | | |
|------------|-----------|
| D=50 pf | 5=1000 pf |
| B=100 pf | 7=1200 pf |
| 0=180 pf | 6=1300 pf |
| F=330 pf | J=1500 pf |
| E=380 pf | I=2200 pf |
| L=470 pf | 9=5600 pf |
| 8=47000 pf | 4=820 pf |
- MODIFIERS:
- B=METAL MOUNTING BRACKETS
 - G=50 MICRONS GOLD ON CONTACT FINISH/GOLD THICKNESS STANDARD 15 MICRONS GOLD ON MATING AREA
 - C=50 MICRONS [1.27 MICRONS] GOLD ON MATING AREA

REV	ECN, ERN NO.	DATE	APPRD.
E	PRODUCT DRAWING (EAR 14498)	NOV9/16	K.L.

DATE	DESIGNED	CHECKED	L. E. APPRD.	Q. A. APPRD.	DWG. APPRD.	ENG. REL. NO.	REF.
A.CHENG	JMT/2/06	K.LAMBIE	JMT/2/06			EAR 12900	DIMENSIONS ARE IN INCHES [mm] 03554

DWG. DRAWING NO. P-FCE17-XXXXB-XXBX

SCALE 3/1

SURF. _____

SHEET 1 OF 1

FC E 1 7 - E 0 9 P B - 4 4 B G

AMPHENOL Canada Corp.

X-ON Electronics

Largest Supplier of Electrical and Electronic Components

Click to view similar products for [D-Sub Standard Connectors](#) category:

Click to view products by [Amphenol](#) manufacturer:

Other Similar products are found below :

[DCM37S732N](#) [DAM15P500](#) [DEV09S364GTLF](#) [DEM09P032N](#) [DDM50P732N](#) [DAM15S332N](#) [173109-2218](#) [173109-2466](#) [173109-2436](#)
[173109-2435](#) [56F706-005-LI](#) [56F711-015](#) [015-0341-000](#) [015-0372-008](#) [015-8544-011](#) [017041-0005](#) [020419-0104](#) [012-0515-000](#) [012-9507-](#)
[034](#) [012-9507-114](#) [012-9534-001](#) [020745-0008](#) [609-25P](#) [M24308/2-23Z](#) [M243082310F](#) [M243082410F](#) [M243082411F](#) [M24308/4-21](#)
[CT1A18-11PSA206](#) [CT1N36-5SC](#) [CT2-16S-17PS](#) [CT2-20-15PCAU](#) [CT2-24-12PS](#) [CT2-24-28PSF127A206](#) [CT2-32-9PC](#) [CT6F9767-14-4-](#)
[14S-5PC](#) [CT6FA10SL-4PS](#) [CT7-18-10SC](#) [CT7-18-10SCAU](#) [CT7-18-12SCAU](#) [CT7-18-1PC](#) [CT7-18-1PCAU](#) [CT7-18-21SCAU](#) [M83513/01-](#)
[FC](#) [M83723/76W24619 L/C](#) [M85049/48-3-2F](#) [69001-865](#) [6STD09PCM99B70X](#) [6STD09SCM99B30X](#) [6STD09SCT99S40X](#)