

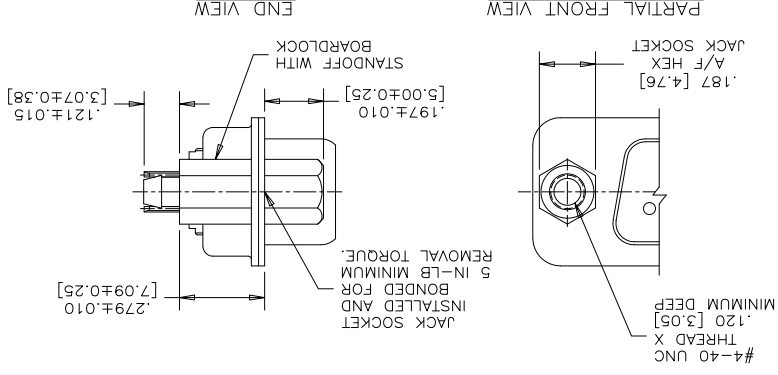
THIS DOCUMENT CONTAINS PROPRIETARY INFORMATION AND SUCH INFORMATION MAY NOT BE DISCLOSED TO OTHERS FOR ANY PURPOSE OR USED FOR MANUFACTURING PURPOSES WITHOUT WRITTEN PERMISSION FROM AMPHENOL CANADA CORP.



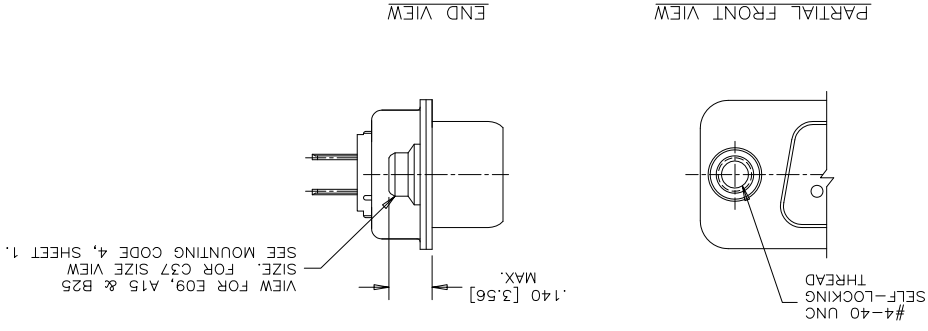
DATE	MAY13/05
DRAWN	K. LAMBIE
DESIGNED	
CHECKED	
TITLE	
DESCRIPTION	FC17 SERIES FILTERED D-SUB CONNECTOR, PIN & SOCKET, VERTICAL MOUNT PCB TAIL, VARIOUS MOUNTING OPTIONS, ROHS COMPLIANT
DWG. NO.	
ENG. REL. NO.	
REF. EAR #	12744
DIMENSIONS ARE IN	INCHES [mm]
CODE ID. NO.	03554
SCALE	3/1
WT.	
SURF.	
SHEET 2 OF 3	

AMPHENOL Canada Corp.

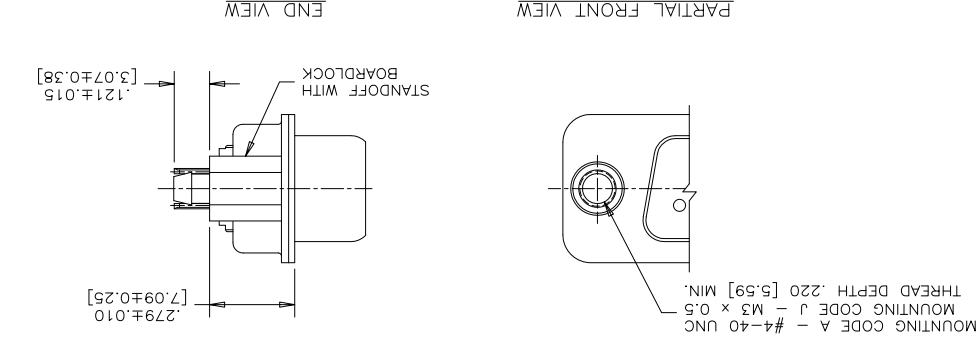
MOUNTING CODE 9



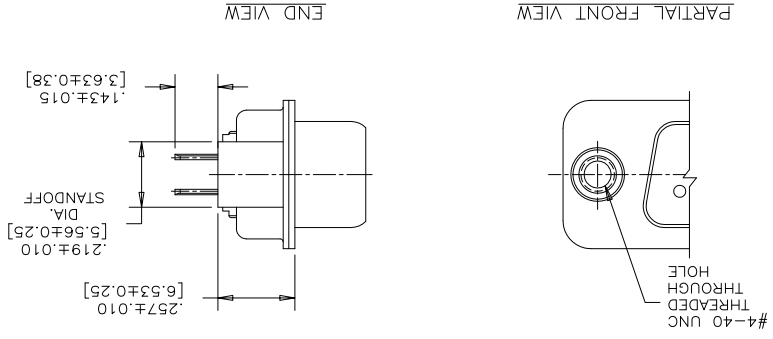
MOUNTING CODE 3



MOUNTING CODE 5



MOUNTING CODE 9



ADDITIONAL MOUNTING OPTIONS AVAILABLE FOR PIN OR SOCKET CONNECTOR

REVISIONS	
REV	ECN, ERN NO. DATE APPRD.
C	PRODUCT DRAWING (EAR 14498) NOV11/16 K.L.

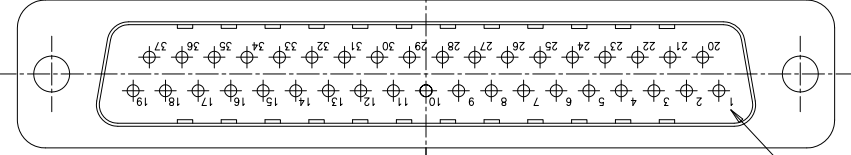
THIS DOCUMENT CONTAINS PROPRIETARY INFORMATION AND SUCH INFORMATION
MAY NOT BE DISCLOSED TO OTHERS FOR ANY PURPOSE OR USED FOR MANUFACTURING
PURPOSES WITHOUT WRITTEN PERMISSION FROM AMPHENOL CANADA CORP.



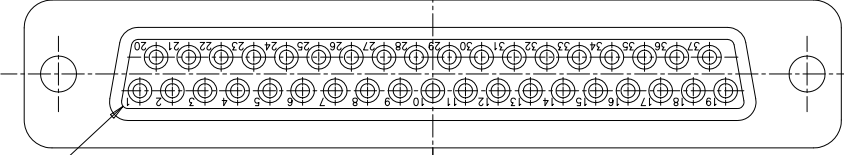
DATE	MAT13/05	DESIGNED	CHECKED	L. E. APPRD.	Q. A. APPRD.	DWG. APPRD.	ENG. REL. NO.	DWG. NO.	DWG. DRAWING NO.	C	DWG. NO.	P-FCE17-XXXXE-XXOX	REV. G
DRAWN	K. LAMBIE												
TITLE													
FCE17 SERIES FILTERED D-SUB CONNECTOR, PIN & SOCKET, VERTICAL MOUNT PCB TAIL, VARIOUS MOUNTING OPTIONS, ROHS COMPLIANT													
AMPHENOL CANADA CORP.													
DIMENSIONS ARE IN INCHES [mm]													
REF. EAR #12744													
SCALE 3/1													
SURF. -----													
SHEET 3 OF 3													

MATING FACE VIEWS
SHOWING CONTACT POSITION NUMBERS

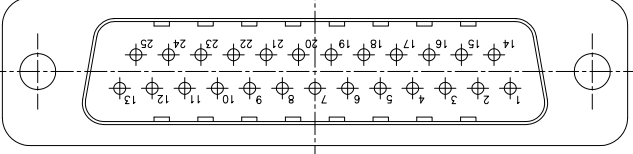
37 SIZE
PIN



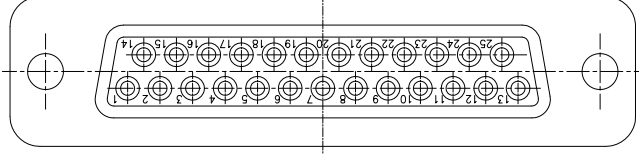
37 SIZE
SOCKET



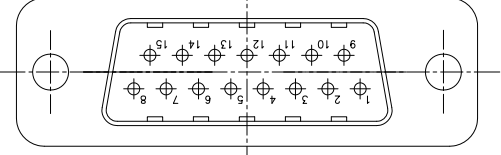
25 SIZE
PIN



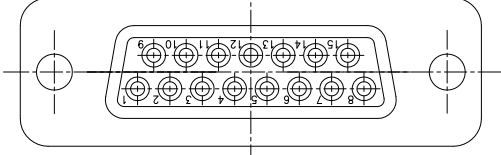
25 SIZE
SOCKET



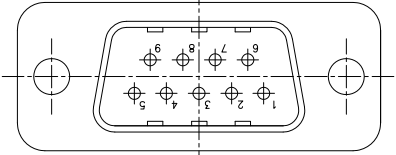
15 SIZE
PIN



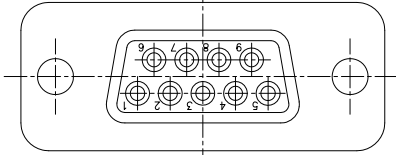
15 SIZE
SOCKET



9 SIZE
PIN



9 SIZE
SOCKET



REVISIONS	
REV	ECN, ERN NO.
DATE	APPRD.
G	PRODUCT DRAWING (EAR 14498)
NOV11/16	K.L.

X-ON Electronics

Largest Supplier of Electrical and Electronic Components

Click to view similar products for [D-Sub Standard Connectors](#) category:

Click to view products by [Amphenol](#) manufacturer:

Other Similar products are found below :

[DCM37S732N](#) [DAM15P500](#) [DEV09S364GTLF](#) [DEM09P032N](#) [DDM50P732N](#) [DAM15S332N](#) [173109-2218](#) [173109-2466](#) [173109-2436](#)
[173109-2435](#) [56F706-005-LI](#) [56F711-015](#) [015-0341-000](#) [015-0372-008](#) [015-8544-011](#) [017041-0005](#) [020419-0104](#) [012-0515-000](#) [012-9507-](#)
[034](#) [012-9507-114](#) [012-9534-001](#) [020745-0008](#) [609-25P](#) [M24308/2-23Z](#) [M243082310F](#) [M243082410F](#) [M243082411F](#) [M24308/4-21](#)
[CT1A18-11PSA206](#) [CT1N36-5SC](#) [CT2-16S-17PS](#) [CT2-20-15PCAU](#) [CT2-24-12PS](#) [CT2-24-28PSF127A206](#) [CT2-32-9PC](#) [CT6F9767-14-4-](#)
[14S-5PC](#) [CT6FA10SL-4PS](#) [CT7-18-10SC](#) [CT7-18-10SCAU](#) [CT7-18-12SCAU](#) [CT7-18-1PC](#) [CT7-18-1PCAU](#) [CT7-18-21SCAU](#) [M83513/01-](#)
[FC](#) [M83723/76W24619 L/C](#) [M85049/48-3-2F](#) [69001-865](#) [6STD09PCM99B70X](#) [6STD09SCM99B30X](#) [6STD09SCT99S40X](#)