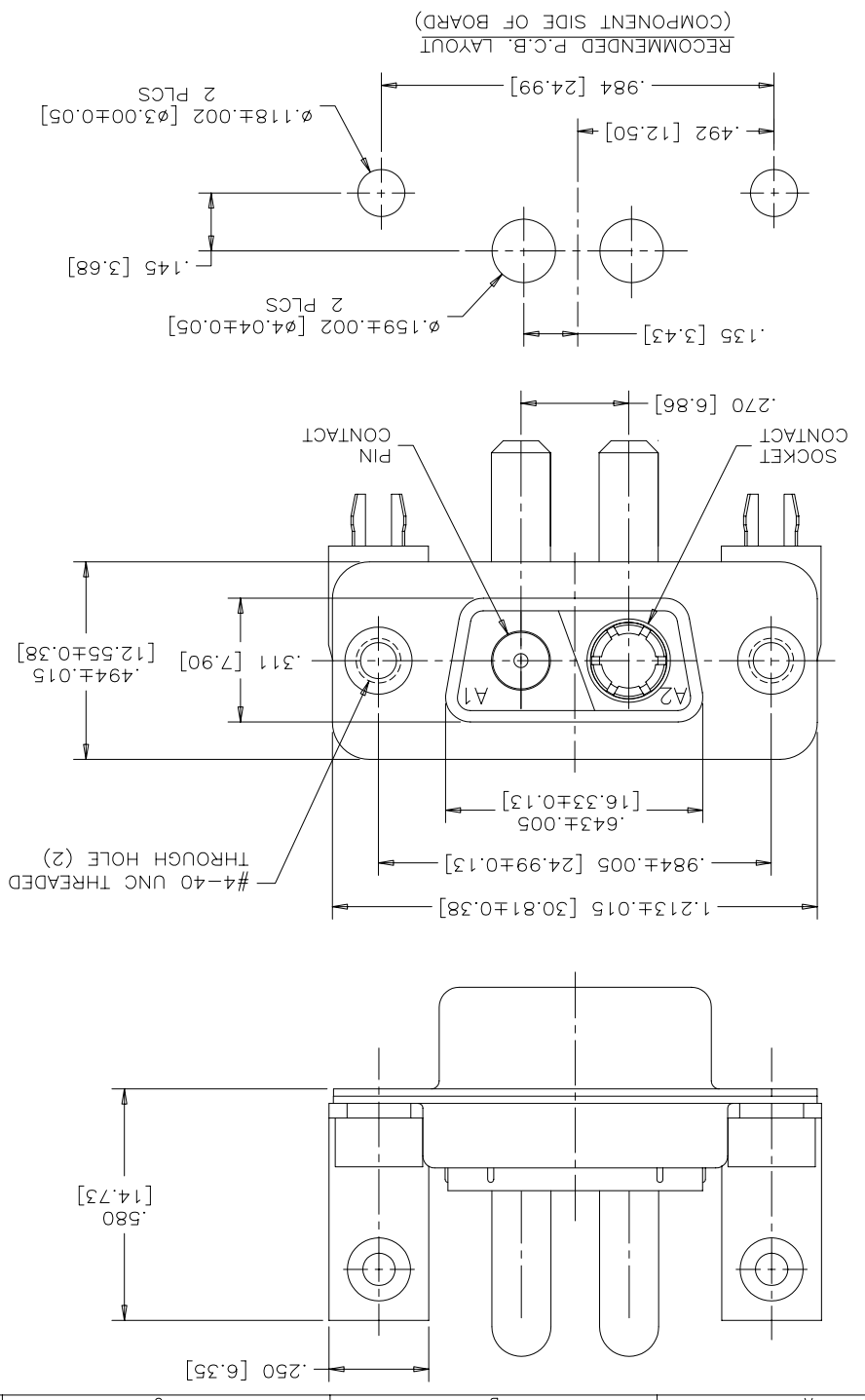


THIS DOCUMENT CONTAINS PROPRIETARY INFORMATION AND SUCH INFORMATION MAY NOT BE DISCLOSED TO OTHERS FOR ANY PURPOSE OR USED FOR MANUFACTURING PURPOSES WITHOUT WRITTEN PERMISSION FROM AMPHENOL CANADA CORP.

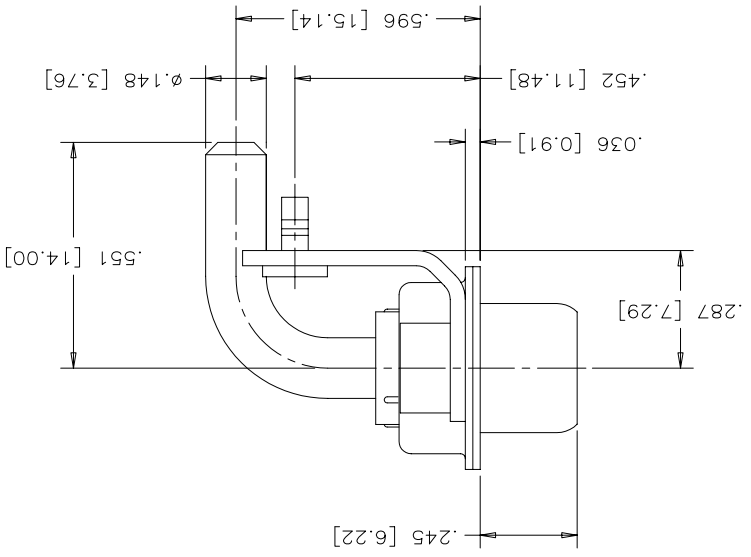


REF.	DIMENSIONS ARE IN INCHES [mm]
ENG. REL. NO. EAR 13352	CODE ID. NO. 03554
DWG. APPRD.	
Q. A. APPRD.	
I. E. APPRD.	
CHECKED	
DESIGNED	
DRAWN K. LAMBIE	DATE SEP26/08

REV. A	DWG. C	DRAWING NO. P-FCE17-E2W2SB-4N1
FCE17 COMBINATION 2W2 D-SUB SOCKET CONNECTOR, MIXED PIN & SOCKET 90° BEND POWER CONTACTS, 4-40 MTG HOLE, METAL BRACKETS, ROHS COMPLIANT		

AMPHENOL PART NUMBER: FCE17-E2W2SB-4N1

Amphenol Canada Corp.



ELECTRICAL DATA:
CURRENT RATING 40 AMPS

MECHANICAL DATA:
MATERIALS: ALL MATERIALS ARE ROHS COMPLIANT.
SHELLS: STAMPED STEEL, TIN PLATED.
INSERT: HIGH TEMPERATURE RESISTANT THERMOPLASTIC, GLASS REINFORCED, FLAMMABILITY RATING UL94V-0, BLACK.
CONTACT: COPPER ALLOY, 30 MICRONS [0.76 MICRONS] GOLD PLATED OVER NICKEL.
HARDWARE: STEEL OR COPPER ALLOY, TIN PLATED.

REV	ECN, ERN NO.	DATE	APPRD
A	PRODUCT DRAWING	SEP26/08	K.L.

REVISIONS

X-ON Electronics

Largest Supplier of Electrical and Electronic Components

Click to view similar products for [D-Sub Standard Connectors](#) category:

Click to view products by [Amphenol](#) manufacturer:

Other Similar products are found below :

[DCM37S732N](#) [DAM15P500](#) [DEV09S364GTLF](#) [DEM09P032N](#) [DDM50P732N](#) [DAM15S332N](#) [173109-2218](#) [173109-2466](#) [173109-2436](#)
[173109-2435](#) [56F706-005-LI](#) [56F711-015](#) [015-0341-000](#) [015-0372-008](#) [015-8544-011](#) [017041-0005](#) [020419-0104](#) [012-0515-000](#) [012-9507-](#)
[034](#) [012-9507-114](#) [012-9534-001](#) [020745-0008](#) [609-25P](#) [M24308/2-23Z](#) [M243082310F](#) [M243082410F](#) [M243082411F](#) [M24308/4-21](#)
[CT1A18-11PSA206](#) [CT1N36-5SC](#) [CT2-16S-17PS](#) [CT2-20-15PCAU](#) [CT2-24-12PS](#) [CT2-24-28PSF127A206](#) [CT2-32-9PC](#) [CT6F9767-14-4-](#)
[14S-5PC](#) [CT6FA10SL-4PS](#) [CT7-18-10SC](#) [CT7-18-10SCAU](#) [CT7-18-12SCAU](#) [CT7-18-1PC](#) [CT7-18-1PCAU](#) [CT7-18-21SCAU](#) [M83513/01-](#)
[FC](#) [M83723/76W24619 L/C](#) [M85049/48-3-2F](#) [69001-865](#) [6STD09PCM99B70X](#) [6STD09SCM99B30X](#) [6STD09SCT99S40X](#)