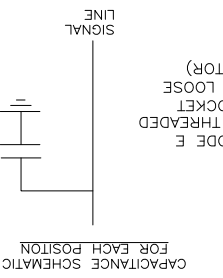
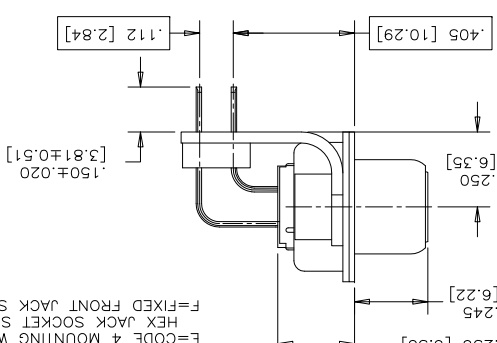
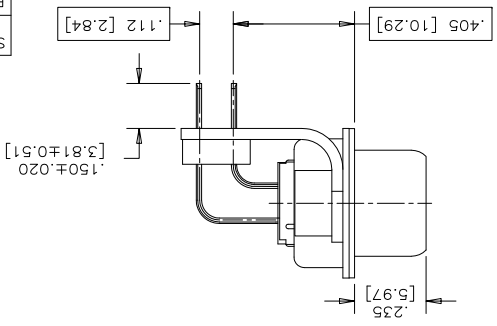
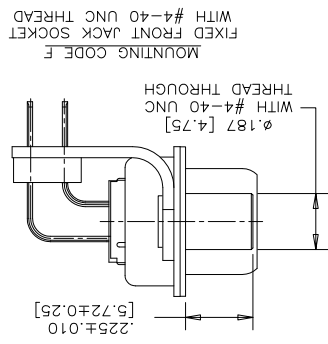
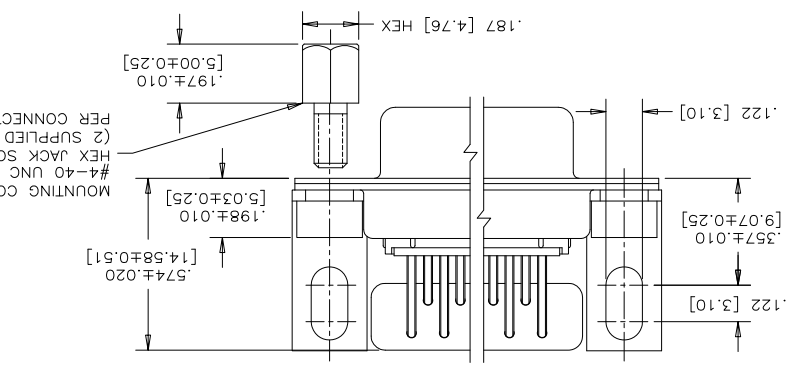
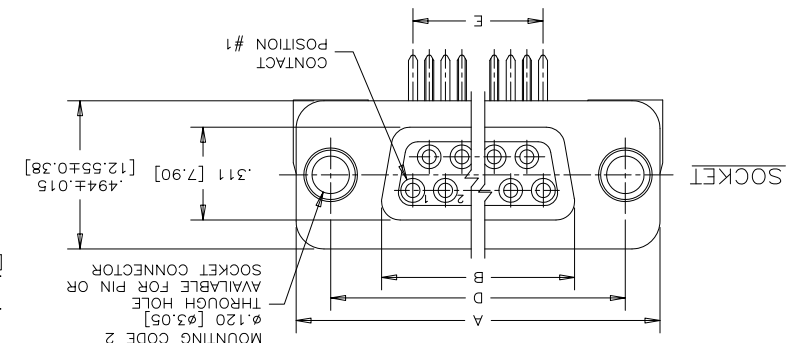
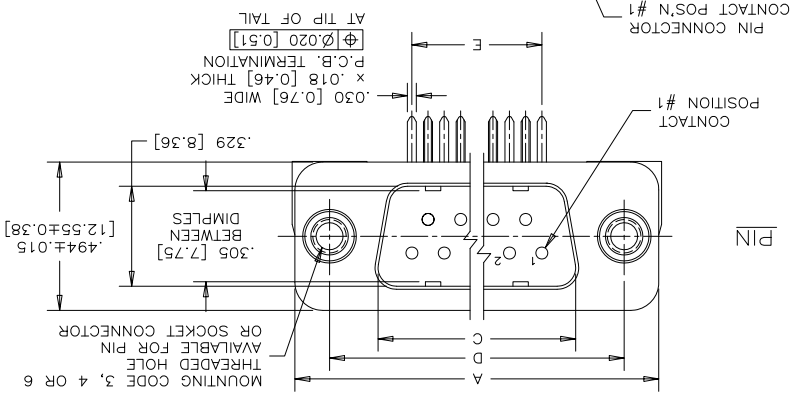
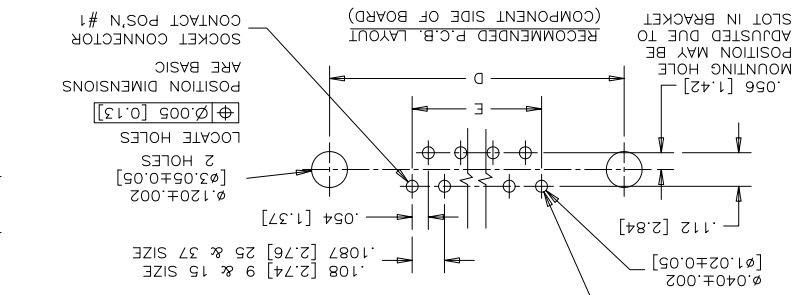


THIS DOCUMENT CONTAINS PROPRIETARY INFORMATION AND SUCH INFORMATION MAY NOT BE DISCLOSED TO OTHERS FOR ANY PURPOSE OR USED FOR MANUFACTURING PURPOSES WITHOUT WRITTEN PERMISSION FROM AMPHENOL CANADA CORP.



SIZE	STYLE	A±.015	B±.005	C±.005	D±.005	E BSC.
E09	PIN	1.213	.666 [16.92]	.984	[24.99]	10.97
A15	PIN	1.541	.994 [25.25]	1.312	[35.32]	19.20
B25	PIN	2.088	1.534 [38.96]	1.852	[47.04]	13.04
C37	PIN	2.729	2.182 [54.42]	2.500	[63.50]	1.956
	SOCKET	[53.04]	1.511 [38.38]	1.852	[47.04]	13.04
	SOCKET	[39.14]	.971 [24.66]	1.312	[35.32]	19.20
	SOCKET	[30.81]	.643 [16.33]	1.213	[24.99]	10.97
	SOCKET	[69.32]	2.159 [54.84]	2.500	[63.50]	1.956

- NOTES:
- 1) MATERIALS: ALL MATERIALS ARE ROHS COMPLIANT. SHELL: STEEL, TIN PLATED. CONTACTS: PHOSPHOR BRONZE, GOLD PLATED OVER 50µ" [1.27 MICRONS] NICKEL IN THE MATING AREA AND 100µ" [2.54 MICRONS] MIN. MATTE TIN ON THE TAILS. INSULATOR: ENGINEERING THERMOPLASTIC, GLASS REINFORCED, UL FLAMMABILITY RATING 94V-0, COLOUR: BLACK. MOUNTING HARDWARE, STEEL OR COPPER ALLOY, TIN OR NICKEL PLATED.
 - 2) CONTACT RESISTANCE: 15 MILLIOHMS MAXIMUM.
 - 3) INSULATION RESISTANCE: 3000 MEGOHMS MINIMUM.
 - 4) CURRENT RATING: 5 AMP MAXIMUM.
 - 5) OPERATING TEMPERATURE: -40°C TO 85°C.
 - 6) TOLERANCE ±.005 [0.13] UNLESS INDICATED OTHERWISE.



- ORDERING CODE: F C E 1 7 - E 0 9 P B - 4 4 B G
- SERIES FCE17=FILTERED D-SUB, ROHS
- SIZE/NUMBER OF CONTACTS E09, A15, B25, OR C37
- CONNECTOR STYLE P=PIN S=SOCKET
- TERMINATION TYPE B=405 [10.29] FOOTPRINT
- MOUNTING #4-40 UNC SELF-LOCKING THREAD
- 2=.120 [3.05] DIA THROUGH HOLE
- 3=#4-40 UNC
- 4=#4-40 UNC THREAD
- 6=3 X 0.5 THREAD
- E=CODE 4 MOUNTING WITH #4-40 UNC HEX JACK SOCKET SUPPLIED.
- F=FIXED FRONT JACK SOCKET #4-40 UNC
- REFER TO AMPHENOL CATALOGUE FOR FILTER PERFORMANCE CHARACTERISTICS
- N=NO FILTERS
- | | |
|----------|------------|
| D=50 pf | 5=1000 pf |
| B=100 pf | 7=1200 pf |
| 0=180 pf | 6=1300 pf |
| F=330 pf | J=1500 pf |
| E=380 pf | F=2200 pf |
| L=470 pf | 9=5600 pf |
| 4=820 pf | 8=47000 pf |
- FILTER CAPACITANCE
- B=METAL MOUNTING BRACKETS
- MODIFIER
- G=50 MICRONS [1.27 MICRONS] GOLD ON MATING AREA
- NO DIGIT=STANDARD 15 MICRONS GOLD ON CONTACT FINISH/GOLD THICKNESS

REV	ECN, ERN NO.	DATE	APPRD.
E	PRODUCT DRAWING (EAR 14498)	NOV9/16	K.L.

DRAWN A.CHENG DATE JAN12/06

DESIGNED

CHECKED K.LAMBIE DATE JAN12/06

L. E. APPRD.

G. A. APPRD.

DWG. APPRD.

ENG. REL. NO.

DWG. DRAWING NO. P-FCE17-XXXXB-XXBX

REV. E

DIMENSIONS ARE IN INCHES [mm] 03554

SCALE 3/1

SURF. -----

SHEET 1 OF 1

X-ON Electronics

Largest Supplier of Electrical and Electronic Components

Click to view similar products for [D-Sub Standard Connectors](#) category:

Click to view products by [Amphenol](#) manufacturer:

Other Similar products are found below :

[DCM37S732N](#) [DAM15P500](#) [DEV09S364GTLF](#) [DEM09P032N](#) [DDM50P732N](#) [DAM15S332N](#) [173109-2218](#) [173109-2466](#) [173109-2436](#)
[173109-2435](#) [56F706-005-LI](#) [56F711-015](#) [015-0341-000](#) [015-0372-008](#) [015-8544-011](#) [017041-0005](#) [020419-0104](#) [012-0515-000](#) [012-9507-](#)
[034](#) [012-9507-114](#) [012-9534-001](#) [020745-0008](#) [609-25P](#) [M24308/2-23Z](#) [M243082310F](#) [M243082410F](#) [M243082411F](#) [M24308/4-21](#)
[CT1A18-11PSA206](#) [CT1N36-5SC](#) [CT2-16S-17PS](#) [CT2-20-15PCAU](#) [CT2-24-12PS](#) [CT2-24-28PSF127A206](#) [CT2-32-9PC](#) [CT6F9767-14-4-](#)
[14S-5PC](#) [CT6FA10SL-4PS](#) [CT7-18-10SC](#) [CT7-18-10SCAU](#) [CT7-18-12SCAU](#) [CT7-18-1PC](#) [CT7-18-1PCAU](#) [CT7-18-21SCAU](#) [M83513/01-](#)
[FC](#) [M83723/76W24619 L/C](#) [M85049/48-3-2F](#) [69001-865](#) [6STD09PCM99B70X](#) [6STD09SCM99B30X](#) [6STD09SCT99S40X](#)