

REV	ECN, ERN NO.	DATE	APPRD.
D	PRODUCT DRAWING (EAR 14498)	NOV11/16	K.L.

ORDERING CODE: F C E 1 7 - E 0 9 P N - 2 E 0 G

SERIES FCE17=FILTERED D-SUB, ROHS

SIZE/NUMBER OF CONTACTS E09, A15, B25, OR C37

CONNECTOR STYLE P=PIN S=SOCKET

TERMINATION TYPE N=VERTICAL MOUNT PC TAIL, .470 [11.94] FLANGE TO BOARD

MOUNTING 2=.120[3.05] DIA THROUGH HOLE 3=#4-40 UNC SELF-LOCKING THREAD 4=#4-40 UNC THREADED STANDOFF 5=#4-40 THREADED STANDOFF 6=M3 x 0.5 THREADED STANDOFF WITH BOARDLOCK E=CODE 4 MOUNTING WITH #4-40 UNC HEX JACK SOCKETS SUPPLIED F=#4-40 FIXED FRONT JACK SOCKETS

REFER TO AMPHENOL CATALOGUE FOR FILTER PERFORMANCE CHARACTERISTICS

NO DIGIT=STANDARD 15 MICRONS GOLD ON MATING AREA

G=50 MICRONS [1.27 MICRONS] GOLD ON MATING AREA

K=30 MICRONS [0.76 MICRONS] GOLD ON MATING AREA

MODIFIER 0=STANDARD

FILTER CAPACITANCE B=50 pF 5=1000 pF D=100 pF 7=1200 pF 0=180 pF 6=1300 pF F=350 pF J=1500 pF L=580 pF E=2200 pF 1=470 pF 9=5600 pF 8=4700 pF 4=820 pF

N=NO FILTERS

NOTES:

- 1) MATERIALS: ALL MATERIALS ARE ROHS COMPLIANT.
- SHELL: STEEL, TIN PLATED
- CONTACTS: PHOSPHOR BRONZE, GOLD PLATED OVER 50µ" [1.27 MICRONS] NICKEL IN THE MATING AREA AND 100µ" [2.54 MICRONS] MIN. MATTE TIN ON THE TAILS.
- INSULATOR: ENGINEERING THERMOPLASTIC, GLASS REINFORCED, UL FLAMMABILITY RATING 94V-0, COLOUR: BLACK
- BOARDLOCK: COPPER ALLOY, TIN PLATED
- MOUNTING HARDWARE: STEEL OR COPPER ALLOY, TIN OR NICKEL PLATED.
- 2) CONTACT RESISTANCE: 15 MILLIOHMS MAXIMUM
- 3) INSULATION RESISTANCE: 3000 MEGOHMS MINIMUM
- 4) CURRENT RATING: 5 AMPS MAXIMUM
- 5) OPERATING TEMPERATURE: -40C TO 85C
- 6) TOLERANCE ±.005 [0.13] UNLESS INDICATED OTHERWISE.

2) CONTACT RESISTANCE: 15 MILLIOHMS MAXIMUM

3) INSULATION RESISTANCE: 3000 MEGOHMS MINIMUM

4) CURRENT RATING: 5 AMPS MAXIMUM

5) OPERATING TEMPERATURE: -40C TO 85C

6) TOLERANCE ±.005 [0.13] UNLESS INDICATED OTHERWISE.

SIZE	STYLE	A±.015	B±.005	C±.005	D±.005	E BSC.
E09	PIN	1.213	-.666	[16.92]	.984	.432
E09	SOCKET	[30.81]	.643	[16.33]	[24.99]	[10.97]
A15	PIN	1.541	-.994	[25.25]	1.312	.756
A15	SOCKET	[39.14]	.971	[24.66]	[33.32]	[19.20]
B25	PIN	2.088	1.534	[38.96]	1.852	1.304
B25	SOCKET	[53.04]	1.511	[38.38]	[47.04]	[33.12]
C37	PIN	2.729	2.182	[55.42]	2.500	1.956
C37	SOCKET	[69.32]	2.159	[54.84]	[63.50]	[49.68]

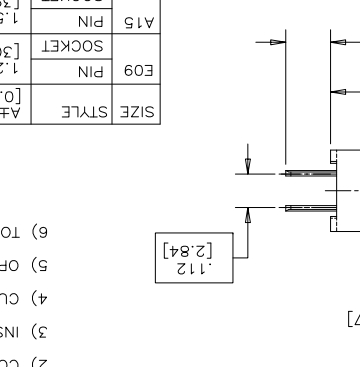
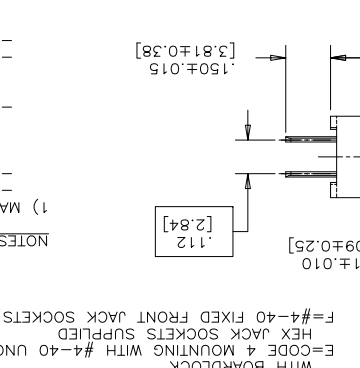
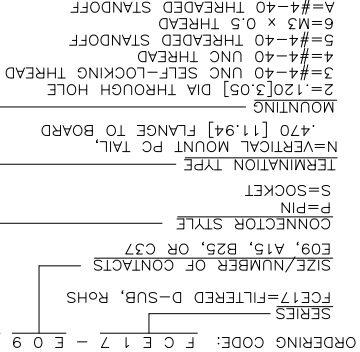
DATE	DRAWN	DESIGNED	CHECKED	L. E. APPRD.	Q. A. APPRD.	DWG. APPRD.	ENG. REL. NO.	REF.
JAN12/06	A.CHENG	JAN12/06	K.LAMBIE					EAR 12900

AMPHENOL Canada Corp.

SCALE 3/1

SURF. -----

SHEET 1 OF 2

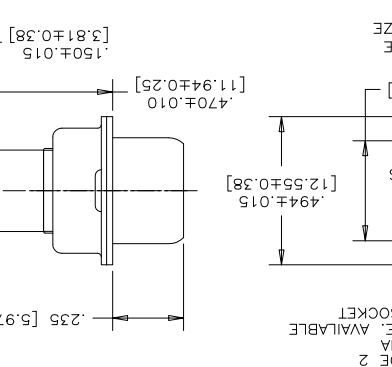
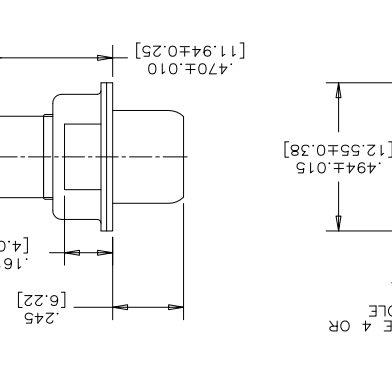
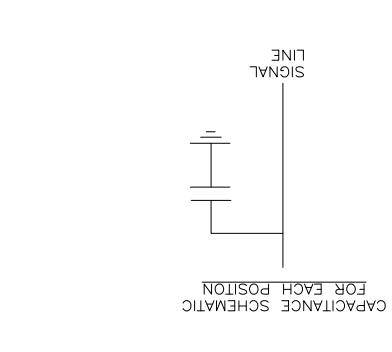


THIS DOCUMENT CONTAINS PROPRIETARY INFORMATION AND SUCH INFORMATION MAY NOT BE DISCLOSED TO OTHERS FOR ANY PURPOSE OR USED FOR MANUFACTURING PURPOSES WITHOUT WRITTEN PERMISSION FROM AMPHENOL CANADA CORP.

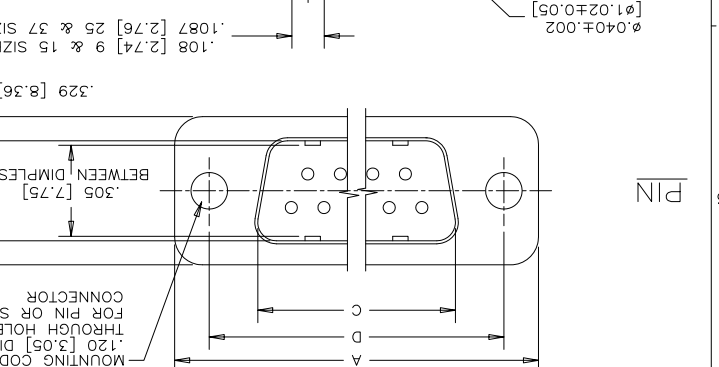
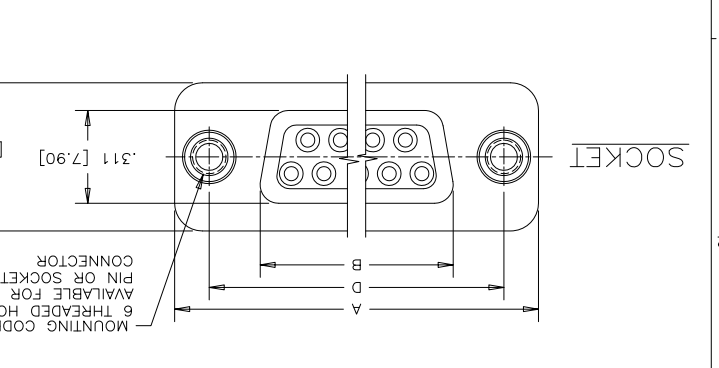
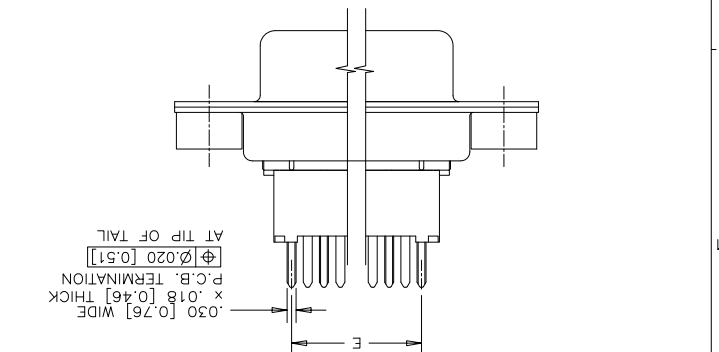
SEE SHEET 2 FOR ADDITIONAL MOUNTING OPTIONS

RECOMMENDED P.C.B. LAYOUT (COMPONENT SIDE OF BOARD)

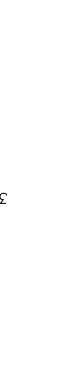
AMPHENOL CANADA CORP. ROHS COMPLIANT 2011/RECAST



AMPHENOL CANADA CORP. ROHS COMPLIANT 2011/RECAST



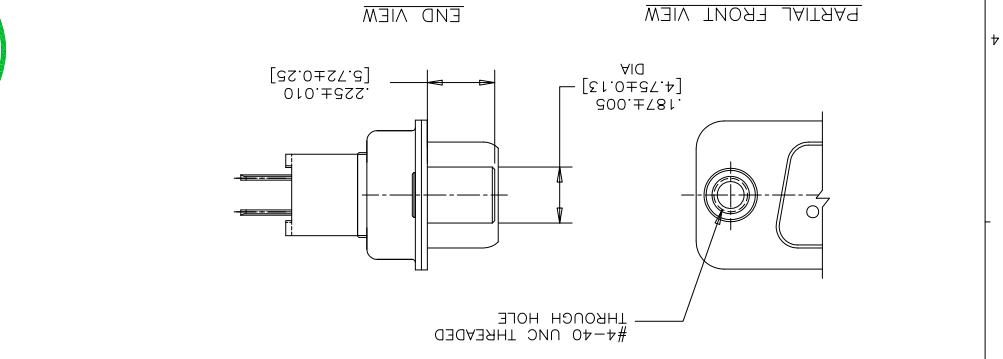
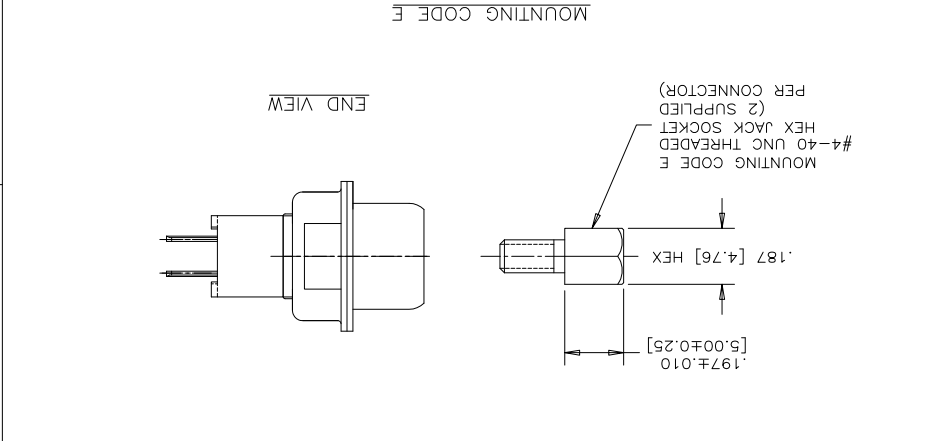
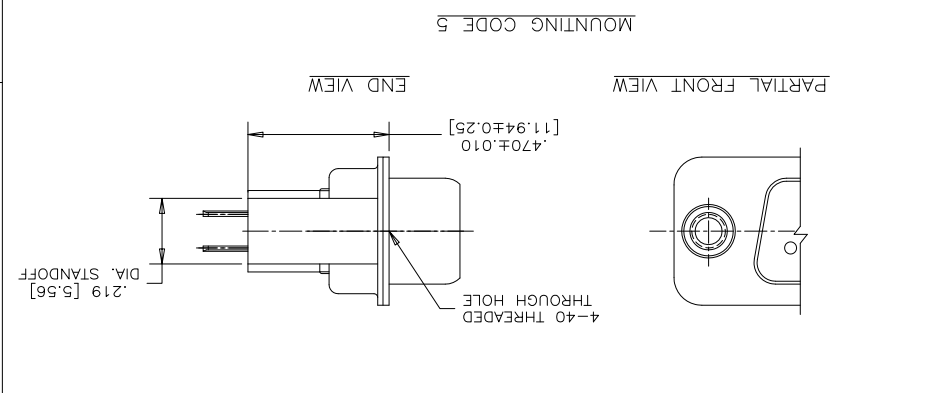
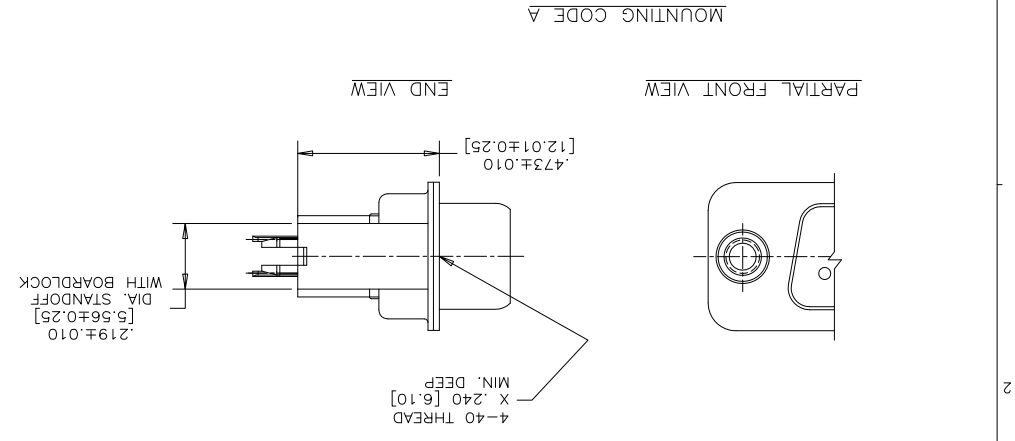
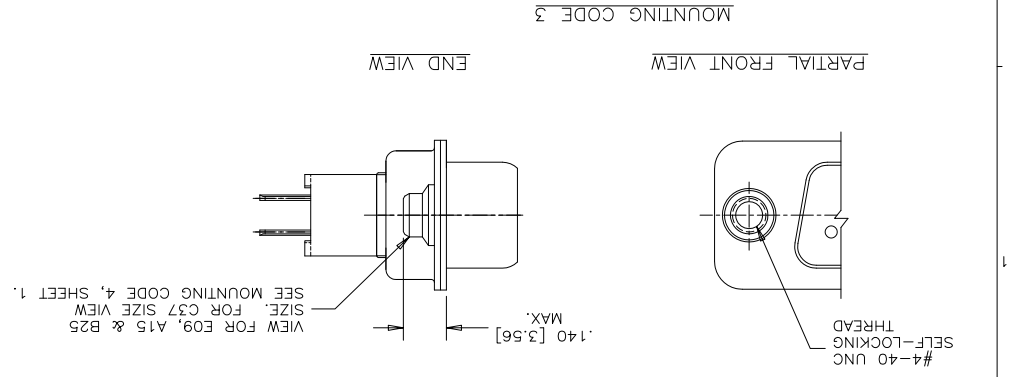
AMPHENOL CANADA CORP. ROHS COMPLIANT 2011/RECAST



AMPHENOL CANADA CORP. ROHS COMPLIANT 2011/RECAST

REVISIONS	
REV	ECN, ERN NO.
D	PRODUCT DRAWING (EAR 14498)
	DATE NOV11/16
	K.L.

ADDITIONAL MOUNTING OPTIONS AVAILABLE FOR PIN OR SOCKET CONNECTOR



THIS DOCUMENT CONTAINS PROPRIETARY INFORMATION AND SUCH INFORMATION MAY NOT BE DISCLOSED TO OTHERS FOR ANY PURPOSE OR USED FOR MANUFACTURING PURPOSES WITHOUT WRITTEN PERMISSION FROM AMPHENOL CANADA CORP.

DATE	JAN12/06	DRAWN	A.CHENG
DESIGNED		CHECKED	K.LAMBIE
L. E. APPRD.			
Q. A. APPRD.			
DWG. APPRD.			
ENG. REL. NO.			
REF.	EAR 12900		
DIMENSIONS ARE IN	INCHES [mm]		
SCALE	3/1		
WT.			
SURF.			
SHEET 2 OF 2			

FC E17 SERIES FILTERED D-SUB CONNECTOR, PIN & SOCKET, VERTICAL MOUNT P.C.B. TAIL, .470 [11.94] FLANGE TO BOARD, ROHS COMPLIANT

DWG. DRAWING NO. C
P-FC E17-XXXXN-XXOX
REV. D

Amphenol Canada Corp.

X-ON Electronics

Largest Supplier of Electrical and Electronic Components

Click to view similar products for [D-Sub Standard Connectors](#) category:

Click to view products by [Amphenol](#) manufacturer:

Other Similar products are found below :

[DCM37S732N](#) [DAM15P500](#) [DEV09S364GTLF](#) [DEM09P032N](#) [DDM50P732N](#) [DAM15S332N](#) [173109-2218](#) [173109-2466](#) [173109-2436](#)
[173109-2435](#) [56F706-005-LI](#) [56F711-015](#) [015-0341-000](#) [015-0372-008](#) [015-8544-011](#) [017041-0005](#) [012-0515-000](#) [012-9507-034](#) [012-9507-114](#) [012-9534-001](#) [020745-0008](#) [609-25P](#) [M24308/2-23Z](#) [M243082310F](#) [M243082410F](#) [M243082411F](#) [M24308/4-21](#) [CT1A18-11PSA206](#)
[CT1N36-5SC](#) [CT2-16S-17PS](#) [CT2-20-15PCAU](#) [CT2-24-12PS](#) [CT2-24-28PSF127A206](#) [CT2-32-9PC](#) [CT6F9767-14-4-14S-5PC](#)
[CT6FA10SL-4PS](#) [CT7-18-10SC](#) [CT7-18-10SCAU](#) [CT7-18-12SCAU](#) [CT7-18-1PC](#) [CT7-18-1PCAU](#) [CT7-18-21SCAU](#) [M83513/01-FC](#)
[M83723/76W24619 L/C](#) [M85049/48-3-2F](#) [69001-865](#) [6STD09PCM99B70X](#) [6STD09SCT99S40X](#) [6STD15PCT99S40X](#)
[6STD15SCM99B30X](#)