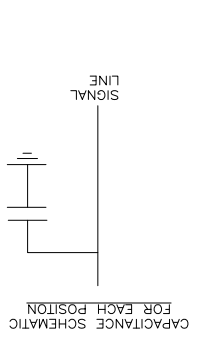
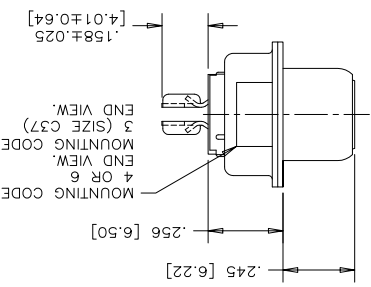
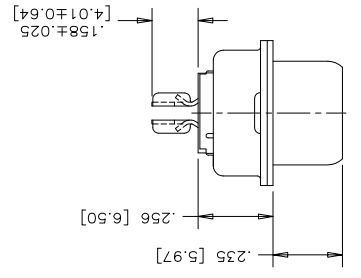
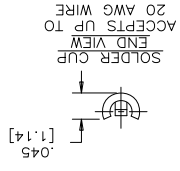
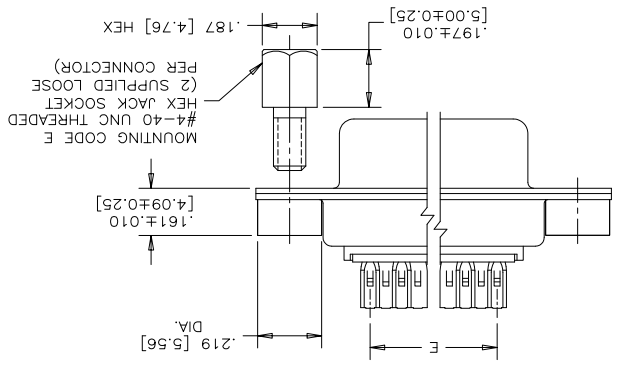
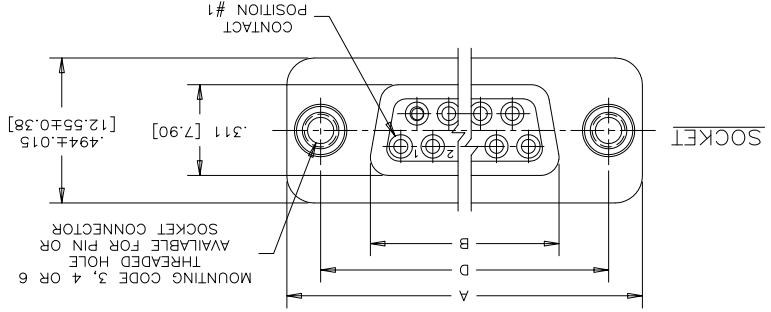
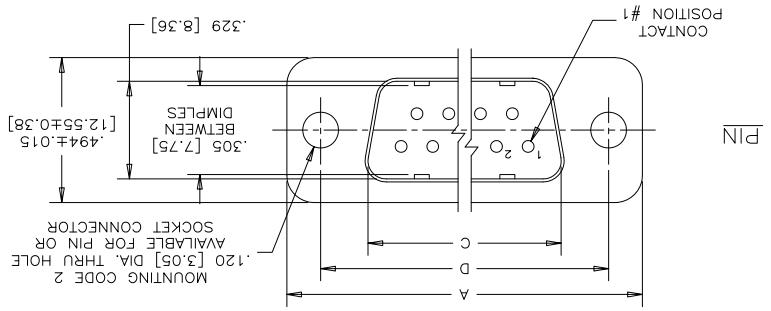
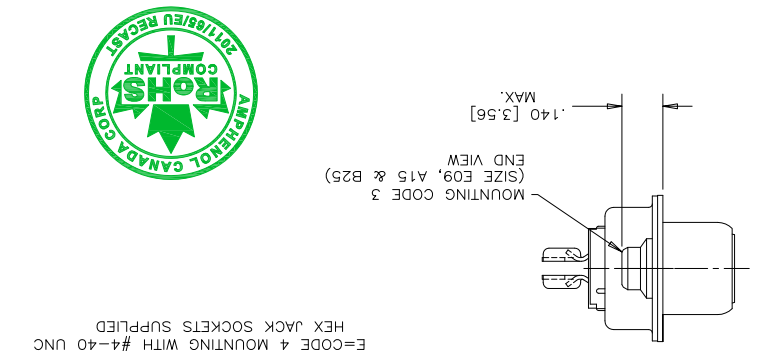


THIS DOCUMENT CONTAINS PROPRIETARY INFORMATION AND SUCH INFORMATION MAY NOT BE DISCLOSED TO OTHERS FOR ANY PURPOSE OR USED FOR MANUFACTURING PURPOSES WITHOUT WRITTEN PERMISSION FROM AMPHENOL CANADA CORP.

SIZE	STYLE	A ±.015	B ±.005	C ±.005	D ±.005	E BSC.
E09	PIN	1.213	-.666	[16.92]	.984	.432
	SOCKET	[50.81]	.643	[16.33]	[24.99]	[10.97]
A15	PIN	1.541	-.971	[24.66]	1.312	.756
	SOCKET	[59.14]	.971	[24.66]	[33.32]	[19.20]
B25	PIN	2.088	-.971	[38.96]	1.852	1.304
	SOCKET	[53.04]	1.511	[38.38]	[47.04]	[33.12]
C37	PIN	2.729	-.971	[54.84]	2.500	1.956
	SOCKET	[69.32]	2.159	[54.84]	[63.50]	[49.68]



1. MATERIALS: ALL MATERIALS ARE ROHS COMPLIANT.
2. CONTACT RESISTANCE: 15 MILLIOHMS MAXIMUM
3. INSULATION RESISTANCE: 3000 MEGOHMS MINIMUM
4. CURRENT RATING: 5 AMPS MAXIMUM
5. OPERATING TEMPERATURE: -40°C TO 85°C
6. TOLERANCE UNLESS INDICATED OTHERWISE: ±.005 [0.13]



ORDERING CODE: F C E 1 7 - E 0 9 P M - 4 7 0 G

SERIES FCE17=FILTERED D-SUB, ROHS

SIZE/NUMBER OF CONTACTS E09, A15, B25, OR C37

CONNECTOR STYLE P=PIN S=SOCKET

TERMINATION TYPE M=SOLDER CUP TAILS

MODIFIER 0=STANDARD

CONTACT FINISH/GOLD THICKNESS NO DIGIT=STANDARD 15 MICRONS GOLD ON MATING AREA .038 MICRONS GOLD ON MATING AREA G=50 MICRONS [1.27 MICRONS] GOLD ON MATING AREA

FILTER CAPACITANCE D=50 pf E=1000 pf B=1200 pf F=1500 pf J=180 pf M=1300 pf N=1500 pf L=380 pf O=2200 pf P=330 pf Q=1500 pf R=380 pf S=5600 pf T=4700 pf U=820 pf V=NO FILTERS

REFER TO AMPHENOL CATALOGUE FOR FILTER PERFORMANCE CHARACTERISTICS

MOUNTING 2=.120 [3.05] DIA THROUGH HOLE 3=#4-40 UNC SELF-LOCKING THREAD 4=#4-40 UNC THREAD 6=M3 x 0.5 THREAD E=CODE 4 MOUNTING WITH #4-40 UNC HEX JACK SOCKETS SUPPLIED

REV	ECN, ERN NO.	DATE	APPRD.
F	PRODUCT DRAWING (EAR 14498)	NOV11/16	K.L.

DATE	DRAWN	DESIGNED	CHECKED	I. E. APPRD.	O. A. APPRD.	DWG. APPRD.
UNN2/05	K. LAMBIE					

Amphenol Canada Corp.

TITLE FCE17 SERIES FILTERED D-SUB CONNECTOR, PIN & SOCKET, SOLDER CUP CONTACTS, ROHS COMPLIANT

DWG NO. P-FCE17-XXXXM-XXOX

ENG. REL. NO. REF. EAR 12758

DIMENSIONS ARE IN INCHES [mm]

SCALE 3/1

SHEET 1 OF 1



X-ON Electronics

Largest Supplier of Electrical and Electronic Components

Click to view similar products for [D-Sub Standard Connectors](#) category:

Click to view products by [Amphenol](#) manufacturer:

Other Similar products are found below :

[DCM37S732N](#) [DAM15P500](#) [DEV09S364GTLF](#) [DEM09P032N](#) [DDM50P732N](#) [DAM15S332N](#) [173109-2218](#) [173109-2466](#) [173109-2436](#)
[173109-2435](#) [56F706-005-LI](#) [56F711-015](#) [015-0341-000](#) [015-0372-008](#) [015-8544-011](#) [017041-0005](#) [020419-0104](#) [012-0515-000](#) [012-9507-](#)
[034](#) [012-9507-114](#) [012-9534-001](#) [020745-0008](#) [609-25P](#) [M24308/2-23Z](#) [M243082310F](#) [M243082410F](#) [M243082411F](#) [M24308/4-21](#)
[CT1A18-11PSA206](#) [CT1N36-5SC](#) [CT2-16S-17PS](#) [CT2-20-15PCAU](#) [CT2-24-12PS](#) [CT2-24-28PSF127A206](#) [CT2-32-9PC](#) [CT6F9767-14-4-](#)
[14S-5PC](#) [CT6FA10SL-4PS](#) [CT7-18-10SC](#) [CT7-18-10SCAU](#) [CT7-18-12SCAU](#) [CT7-18-1PC](#) [CT7-18-1PCAU](#) [CT7-18-21SCAU](#) [M83513/01-](#)
[FC](#) [M83723/76W24619 L/C](#) [M85049/48-3-2F](#) [69001-865](#) [6STD09PCM99B70X](#) [6STD09SCM99B30X](#) [6STD09SCT99S40X](#)