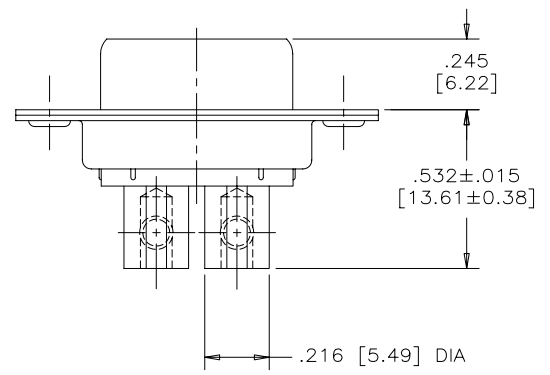
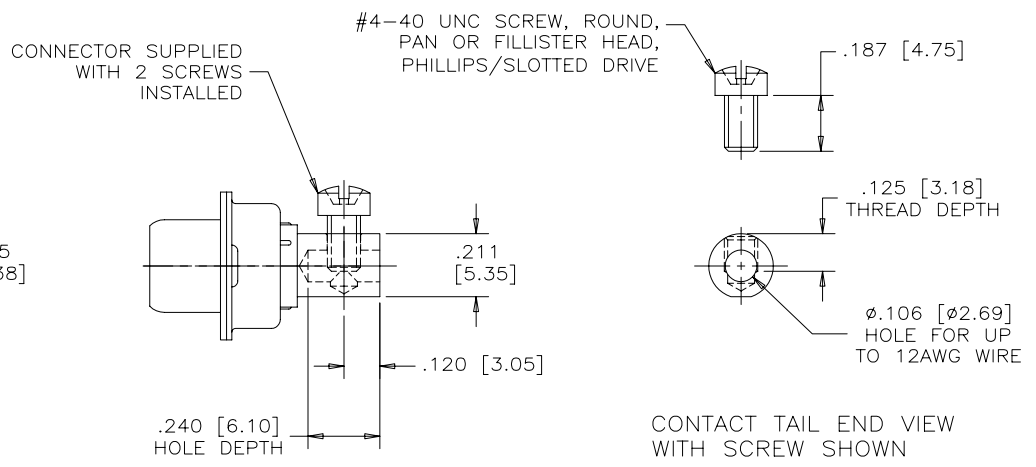
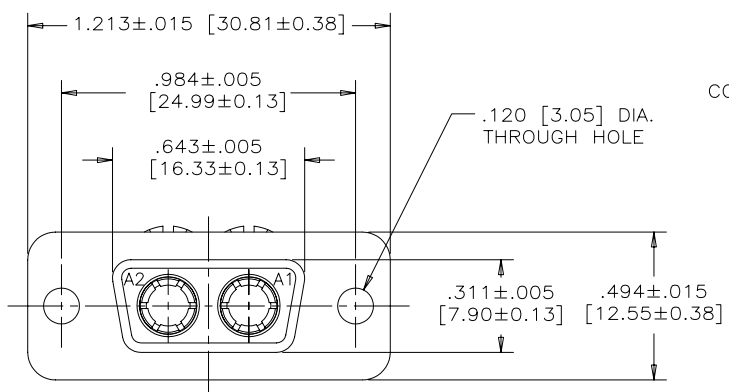
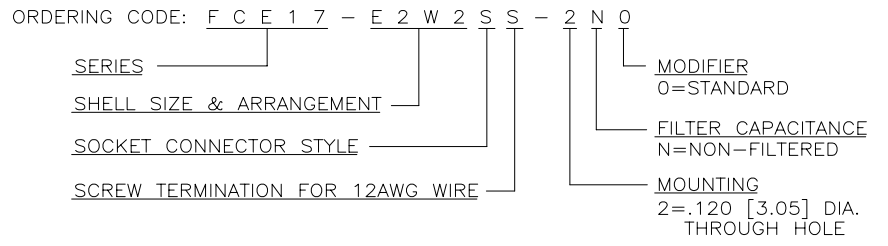


REVISIONS			
REV	DESCRIPTION	DATE	APPRD.
A	PROPOSAL DRAWING (EAR 13120)	MAY17/07	K.L.



NOTES:

- MATERIALS:** ALL MATERIALS ARE RoHS COMPLIANT PER EU DIRECTIVE 2002/95/EC AND AMENDMENTS.
- SHELLS:** STAMPED STEEL, TIN PLATED.
- INSERT:** HIGH TEMPERATURE RESISTANT THERMOPLASTIC, GLASS REINFORCED, FLAMMABILITY RATING UL94V-0, BLACK.
- CONTACT:** COPPER ALLOY, 30µ" [0.76 MICRONS] GOLD PLATED OVER 50µ" [1.27 MICRONS] MINIMUM NICKEL.
- SCREWS:** STEEL, NICKEL OR ZINC PLATED OR STAINLESS STEEL.
- CONTACT RESISTANCE:** 5 MILLIOHMS MAX.
- CURRENT RATING:** 20 AMPERES MAX.
- INSULATION RESISTANCE:** 3000 MEGAOHMS MIN.



DRAWN	K. LAMBIE	DATE	MAY17/07
CHECKED			
DESIGNED			
APPROVED			
INDUSTRIAL ENG. APPRD.			
ENGINEERING RELEASE NO.			

Amphenol Canada Corp.

FCE17 SERIES COMBO D-SUB CONNECTOR, 2W2 ARRANGEMENT, SOCKET POWER CONTACTS, SCREW TERMINATION FOR 12AWG WIRE, THROUGH HOLE MOUNTING, NON-FILTERED, RoHS COMPLIANT

REF.	EAR 13120	DWG	DRAWING NO.	REV.
DIMENSIONS ARE IN	NO.	C	P-FCE17-E2W2SS-2N0	A
INCHES [mm]	03554	SCALE	3/1	WT. -----
		SURF.	-----	SHEET 1 of 1

THIS DOCUMENT CONTAINS PROPRIETARY INFORMATION AND SUCH INFORMATION MAY NOT BE DISCLOSED TO OTHERS FOR ANY PURPOSE OR USED FOR MANUFACTURING PURPOSES WITHOUT WRITTEN PERMISSION FROM AMPHENOL CANADA CORP.

X-ON Electronics

Largest Supplier of Electrical and Electronic Components

Click to view similar products for [D-Sub Mixed Contact Connectors](#) category:

Click to view products by [Amphenol](#) manufacturer:

Other Similar products are found below :

[790-025SF-5P5NMN](#) [790-025SJ-7P7NML](#) [DAM-7W2PC](#) [L717TWB5W5P3R](#) [L717TWB5W5PRM84](#) [L717TWP3W3P](#)
[3003W3PXX56N40X](#) [3005W5PXX99A30X](#) [3005W5PXX99E40X](#) [3005W5SXX99A30X](#) [3005W5SXX99E40X](#) [3013W6SCM99A10X](#)
[3036W4PCM41A10X](#) [3036W4SCM99A10X](#) [FCE17-E2W2SS-2N0](#) [212522-7](#) [PII-468-1](#) [3003W3PXX43A10X](#) [3003W3SXX56N40X](#)
[3005W5PXX88N40X](#) [3007W2PAR71E20X](#) [3008W8SXX57A30X](#) [3009W4PCT57P20X](#) [3011W1SXX99A10X](#) [3013W3PCM99A10X](#)
[3017W2SAR69C40X](#) [321WA4PXK99A60X](#) [3F3SSC22S41A30X](#) [L717TWA7W2PP2SY3R](#) [DBM-17W2S-1A8N-A190-A197-1](#)
[421WA4PCR50E20X](#) [09691009009](#) [09691100022500](#) [09693009176](#) [09692009147](#) [09693909015](#) [6017W2PCM41B30X](#) [790-061SH-](#)
[36W2NMNA](#) [790-044SE-7P3MNPB](#) [790-043PE-11P2MPA](#) [790-043PB-2P2MPB](#) [790-029SB-2P2MEPA](#) [790-028PK-9P9MPA](#) [790-028PH-](#)
[54P2MGA](#) [790-028PH-36P2MNA](#) [790-028PB-2P2MPA](#) [790-027SH-5W5MTEP](#) [790-026PH-54P2ZNUG](#) [790-026PH-54P2MP](#) [790-026PH-](#)
[36P2ZNUG](#)