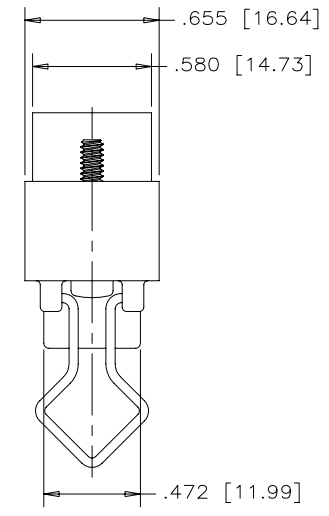
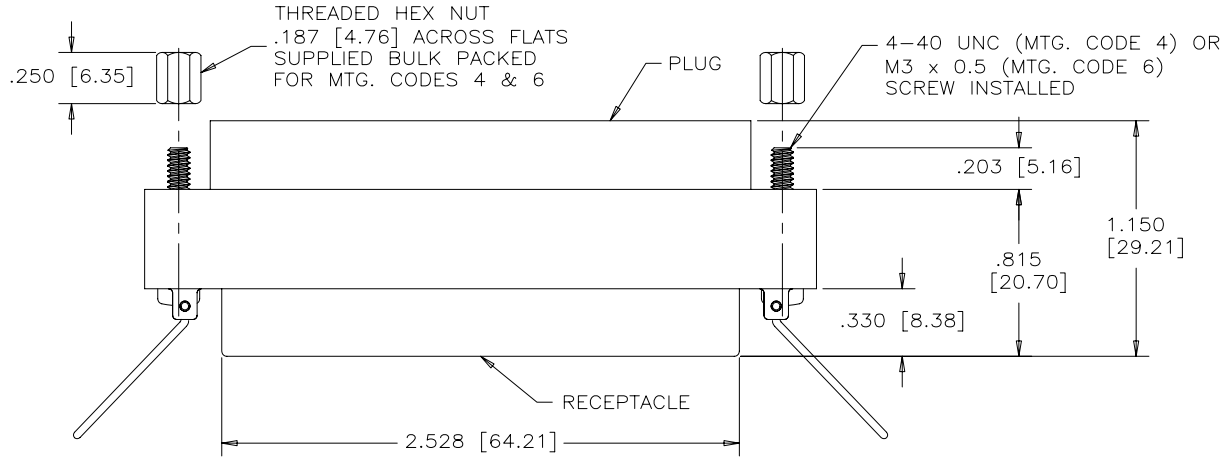
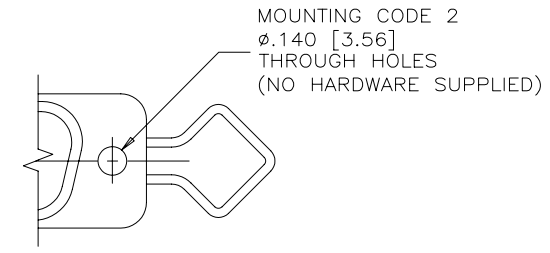
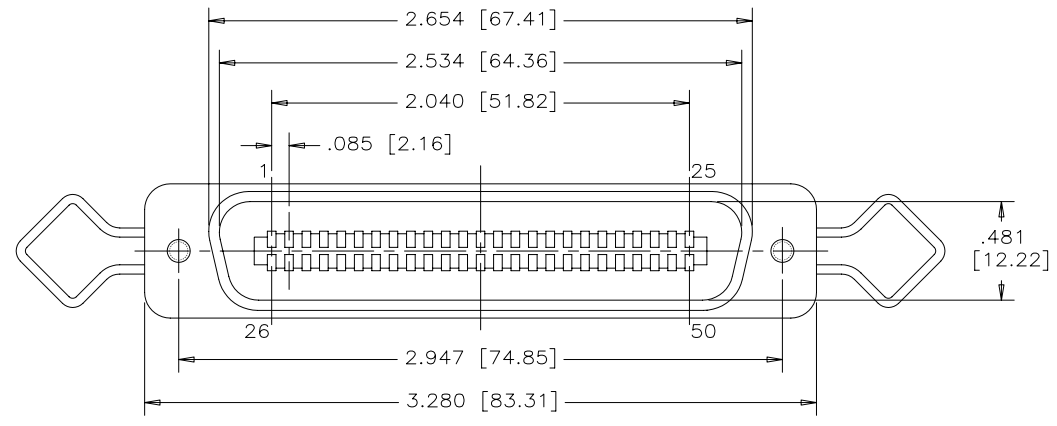


REVISIONS			
REV	ECN, ERN NO.	DATE	APPRD.
A	PRODUCT DRAWING (EAR 12927)	MAR07/06	K.L.



ORDERING CODE:

PART NUMBER **F C E 5 7 - 0 9 5 0 0 - 4 1 0**

SERIES _____
 STYLE _____
 09=ADAPTER
 NUMBER OF CONTACTS _____
 MODIFIER _____
 0=STANDARD
 MOUNTING OPTION _____
 2=.140 [3.56] DIA MTG. HOLE (NO SCREWS OR HEX NUTS)
 4=#4-40 UNC THREADED SCREW & HEX NUT
 6=M3 x 0.5 THREADED SCREW & HEX NUT

MODIFIER
 0=STANDARD
 CAPACITANCE
 D=50 pF 5=1000 pF
 B=100 pF 7=1200 pF
 0=180 pF 9=5600 pF
 F=330 pF 1=470 pF
 3=820 pF N=NO FILTERS

ELECTRICAL DATA:
CSA/UL RATING: 250 VDC, 1A MAX.
 REFER TO AMPHENOL CATALOGUE FOR FILTER PERFORMANCE CHARACTERISTICS

MATERIALS: ALL MATERIALS ARE RoHS COMPLIANT
SHELL: ALUMINUM DIECAST, NICKEL PLATED.
CONTACTS: PHOSPHOR BRONZE, 30u" [0.76 MICRONS] MIN GOLD PLATED OVER 50u" [1.27 MICRONS] MIN NICKEL ON CONTACT MATING AREAS.
INSERT: HIGH STRENGTH THERMOPLASTIC POLYESTER FLAMMABILITY RATING UL 94V-0, BLACK.

DRAWN	A.CHENG	DATE	MAR07/06
DESIGNED			
CHECKED	K.LAMBIE	DATE	MAR07/06
I. E. APPRD.			
Q. A. APPRD.			
DWG. APPRD.			
ENG. REL. NO.			
REF.	EAR 12927		
DIMENSIONS ARE IN		CODE ID. NO.	
INCHES [mm]		03554	

Amphenol Canada Corp.
 FCE57 FILTERED MICRO-RIBBON CONNECTOR, PLUG/RECEPTACLE ADAPTER, 50 SIZE, LATCH SPRINGS, RoHS COMPLIANT

DWG	DRAWING NO.	REV.
C	P-FCE57-09500-XX0	A
SCALE	2/1	WT. -----
SURF.	-----	SHEET 1 OF 1

THIS DOCUMENT CONTAINS PROPRIETARY INFORMATION AND SUCH INFORMATION MAY NOT BE DISCLOSED TO OTHERS FOR ANY PURPOSE OR USED FOR MANUFACTURING PURPOSES WITHOUT WRITTEN PERMISSION FROM AMPHENOL CANADA CORP.

X-ON Electronics

Largest Supplier of Electrical and Electronic Components

Click to view similar products for D-Sub Adapters & Gender Changers category:

Click to view products by Amphenol manufacturer:

Other Similar products are found below :

[243A10120X](#) [243A11070X](#) [243A13290X](#) [243A13460X](#) [300X10729X](#) [300X10759X](#) [GCHDLP26F26F](#) [30-9532P](#) [40-9586FP](#) [500-135](#) [40-9526HDMP](#) [56F715-003](#) [243A11800X](#) [243A10560X](#) [40-9526HDSP](#) [243A11060X](#) [56-745-005](#) [243A10580X](#) [56-725-001](#) [SC485](#) [173114-0088](#) [173114-0099](#) [76000670](#) [76000700](#) [NADB9MF](#) [2902323](#) [2902326](#) [40-9538F](#) [163A50009X](#) [163A50019X](#) [NADB15FF-B](#) [NADB9FF-B](#) [243A10030X](#) [76000671](#) [163A50029X](#) [16-501373](#) [FCC17-A15AD-280](#) [FCC17-E09AD-210](#) [FCE17-A15AD-250](#) [FCE17-B25AD-210](#) [FCE17-B25AD-250](#) [FCE17B25AD290](#) [FCE17-E09AD-210](#) [FCE5709500430](#) [2310387](#) [GCHDLP44M44M](#) [GCLP25M25F](#) [FCC17A15AD2E0](#) [FCC17C37AD280](#) [FCC17-E09AD-280](#)