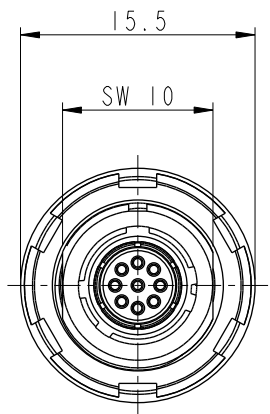
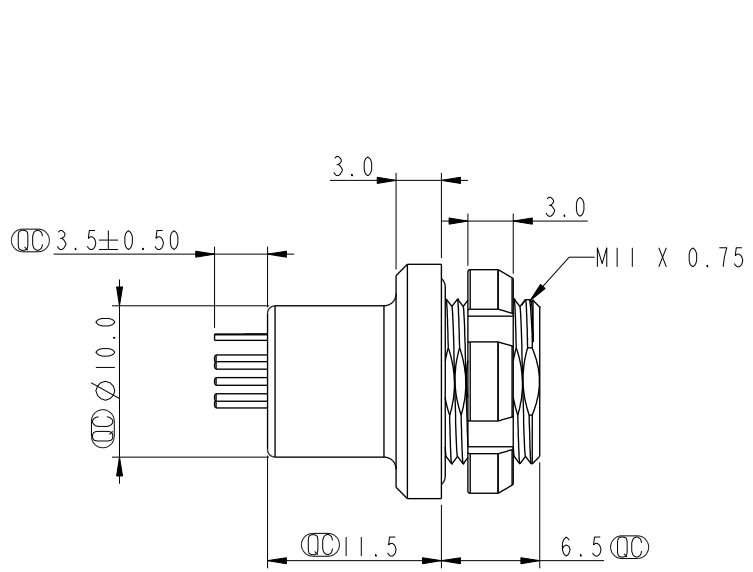
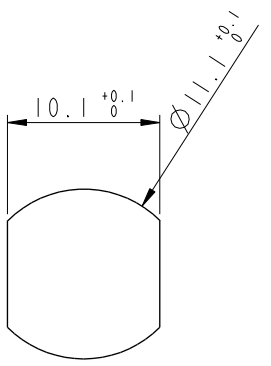
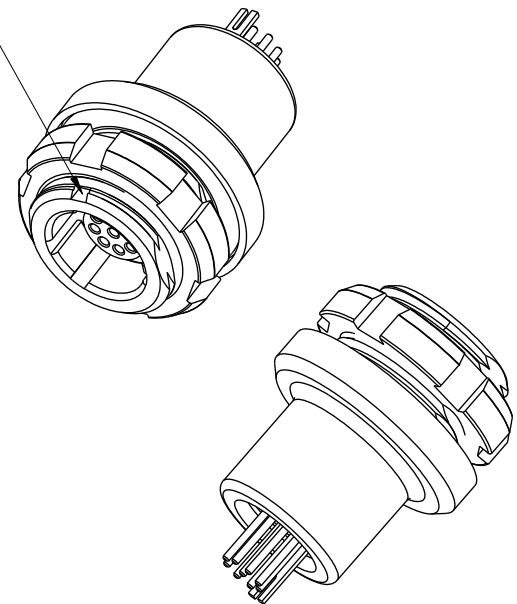


REV.	ECN NO.	DATE	SIGN	DESCRIPTION
A		2021/04/28	Vincent Huang	Rev.01 to A.



KEYING INDICATION
(Brown)



Recommended Panel Cut-Out

- Note:
- * RoHS Compliant
 - * CC Important Dimension
 - * Waterproof Rate: IPX8, Mated 1m/2h.
 - * Connector
 - Housing: Thermoplastic, Natural.
 - Pin: Copper Alloy, Gold Plated
 - O-Ring: Rubber, Black.
 - * Shield: Metal.
 - * Nut: Metal.
 - * O-Ring: Rubber, Black.
 - * For Panel Thickness Max 3.0mm.
 - * Recommend pcb thickness: 2.0mm.
 - * O-Ring and nut are assembled on connectors.

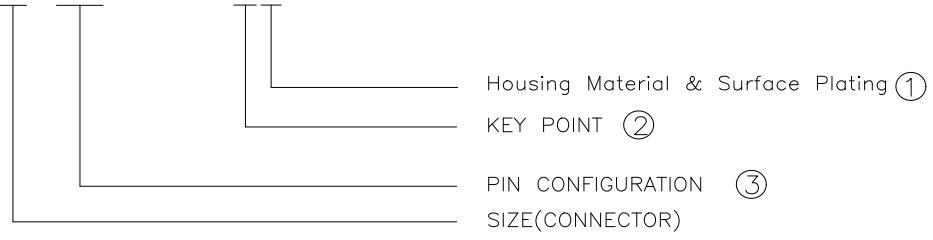
UNIT:mm			TITLE FLOS, DY-SER, SZ 0, 09P, PANEL F S/NUT, F, PCB S, 5KEY BR
TOLERANCE .X ±0.25 .XX ±0.1 .XXX ±0.05 ANGLES ±1	SCALE 2:1	SIZE A4	SHEET 1 OF 2
REV. A	WC-REV. .0	CC : Inspection item	

Amphenol LTW
安費諾亮泰企業股份有限公司

ITEM NO FDYB-XXEFP-RDK-001	DRAWN BY Vincent Huang	DATE 2020/08/18
DWG NO FDYB-XXEFP-RDK-001	CHECKED BY Aric Ko	DATE 2020/08/18
CUSTOMER ALTW	APPROVED BY Max Yang	DATE 2020/08/18

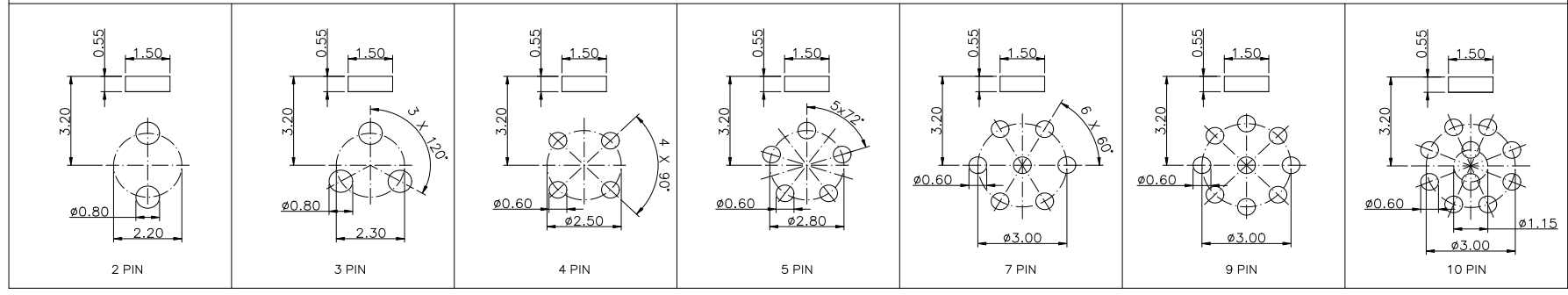
THIS DOCUMENT IS SUBJECT TO CHANGE WITHOUT NOTICE. IT IS CONFIDENTIAL AND A PROPERTY OF AMPHENOL LTW. DISCLOSURE TO THIRD PARTY HAS TO BE AUTHORIZED BY AMPHENOL LTW.

FDYB-XXEFP-RDK-001

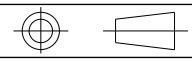


Code ①	Housing Material & Surface Plating	Code ②	Key Point				
	D		R (Brown)				
	AL ALLOY/BK Cr	Graphic					
Code ③	Pin Configuration (Solder Definition)						
Graphic							
	2 PIN	3 PIN	4 PIN	5 PIN	7 PIN	9 PIN	10 PIN

PCB Layout



UNIT:mm



TOLERANCE

.X	±0.25
.XX	±0.1
.XXX	±0.05
ANGLES	±1°

TITLE FLOS, DY-SER, SZ 0, 09P, PANEL F S/NUT, F, PCB S, 5KEY BR			
SCALE 1:1	SIZE A4	SHEET 2 OF 2	
REV. A	WC-REV. .0	QC: Inspection item	

Amphenol LTW
安費諾亮泰企業股份有限公司

ITEM NO FDYB-XXEFP-RDK-001	DRAWN BY Vincent Huang	DATE 2020/08/18
DWG NO FDYB-XXEFP-RDK-001	CHECKED BY Aric Ko	DATE 2020/08/18
CUSTOMER ALTW	APPROVED BY Max Yang	DATE 2020/08/18

X-ON Electronics

Largest Supplier of Electrical and Electronic Components

Click to view similar products for [Circular Push Pull Connectors](#) category:

Click to view products by [Amphenol](#) manufacturer:

Other Similar products are found below :

[6407-249V-11273P](#) [6408-201V-13273](#) [6408-202V-13343](#) [6408-202V-17343](#) [FAG.2B.319.CYC](#) [FGA.1B.307.CYCD72Z](#)
[FGC.0B.309.CLAD56](#) [FLS.01.250.DLAE24](#) [PFG.1B.308.CYZZ](#) [PKG.M0.6BL.LZ](#) [PLC.M1.0SL.LA](#) [GMA.2B.045.DJ](#) [GMA.3B.090.DA](#)
[PRG.M0.6GL.LC52GZ](#) [ABF.1S.250.NTA](#) [1332M107MS](#) [EAJ.1B.306.CWA](#) [1589430-2](#) [ELF.00.250.NTL](#) [ERA.01.250.DLL](#)
[BRD.0B.200.PCSG](#) [HVP.03.250.CLLPV](#) [CAH.M34.SLL.C72GZ](#) [CAJ.M34.SLL.C72GZ](#) [300500](#) [EXG.0B.309.HLN](#) [FFB.1S.250.CLAC27](#)
[FLC.00.250.CTAC31](#) [FPG.0B.305.CLAD52](#) [PCS.01.250.DLLE31](#) [PKC.M0.7GL.NG](#) [PKG.M0.4TL.LZ](#) [PXG.M0.8GG.NG](#)
[HEG.1B.307.CLNP](#) [BRR.3S.200.PZVG](#) [JDXEP2T19FSN](#) [400374](#) [DTA.99.700.5Z](#) [ECG.00.304.CLL](#) [ECP.0S.304.CLN](#) [EEG.1B.306.CYZ](#)
[MS3117-12BU](#) [EGA.00.303.CLL](#) [SAN.M13.GLA.6G](#) [6408-201V-11343](#) [6408-202V-25273](#) [PAC.M0.4NL.AC52J](#) [980-0009-471](#)
[NCG044SC2DC006](#) [13303PM20](#)