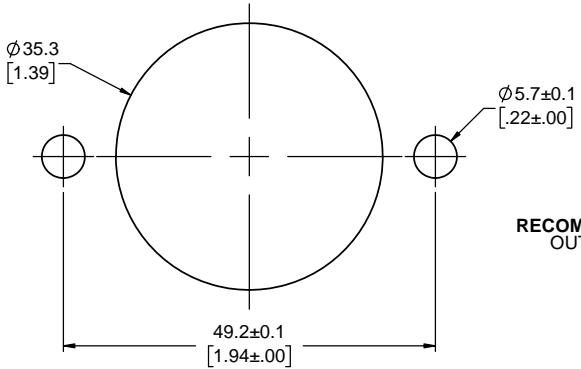
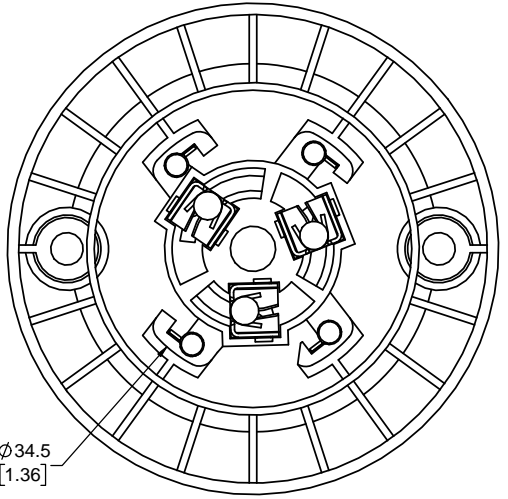
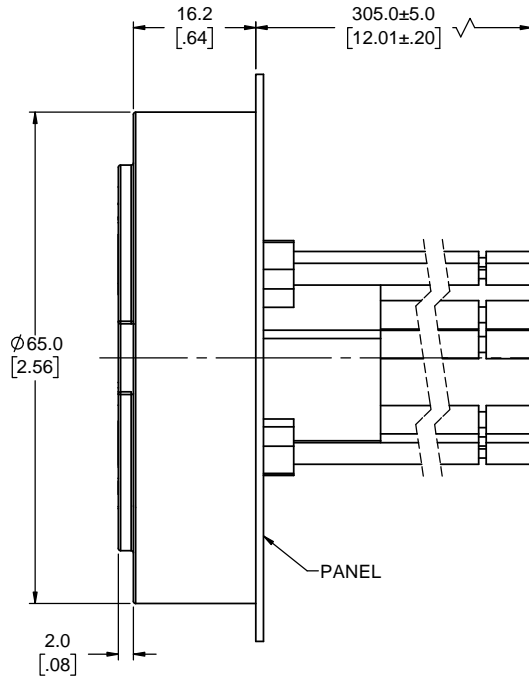
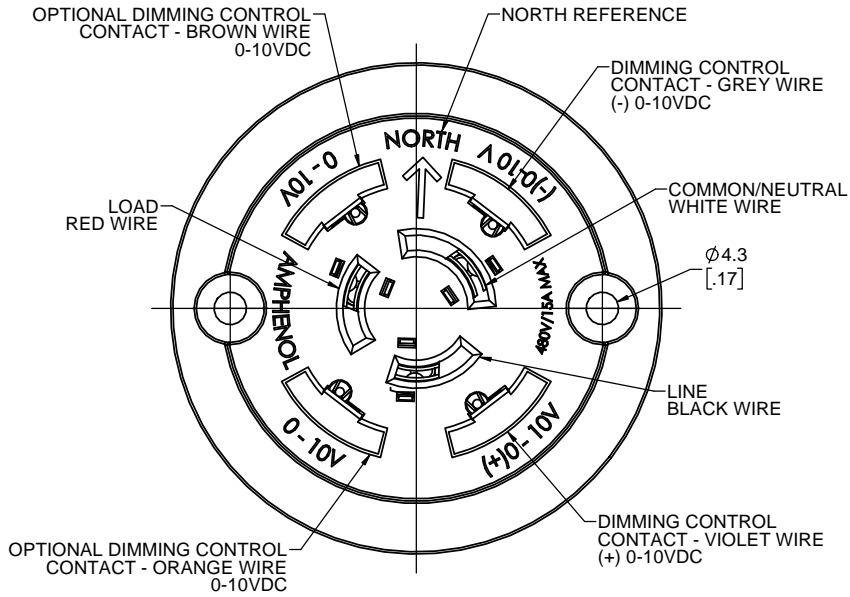


PART NUMBER FLA-4141-30 SHOWN



ORDERING CODE: FLA - X XX X - XX

- SERIES, FLA _____
- NUMBER OF DIMMABLE CONTACTS
 0 = NO DIMMABLE CONTACTS
 2 = 2 DIMMABLE CONTACTS
 4 = 4 DIMMABLE CONTACTS
- POWER CONTACT WIRE GAUGE
 14 = 14 AWG
 16 = 16 AWG
- OPERATING TEMPERATURE
 1 = -55 TO 105°C - UL AWM STYLE WIRE 1015 - 105°C 600VAC
 2 = -55 TO 150°C - UL AWM STYLE WIRE 3289 - 150°C 600VAC
- CONNECTOR WIRE LENGTH
 30 = 305mm

PANEL GASKET CAN BE ORDERED SEPARATELY USING PART NUMBER P-FLA-2N-01, CONSULT WITH AMPHENOL CANADA FOR OTHER OPTIONS OR SPECIAL REQUEST.

NOTES:

1. MATERIALS: ALL MATERIALS ARE RoHS COMPLIANT PER EU DIRECTIVE 2011/65/EU & AMENDMENTS.
 - HOUSING: ENGINEERING THERMOPLASTIC, UL FLAMMABILITY RATING 94V-0, COLOUR BLACK
 - POWER CONTACT: COPPER ALLOY, PLATED WITH TIN OVER NICKEL
 - DIMMABLE CONTACT: COPPER ALLOY, PLATED WITH 0.76µm (30µ") GOLD OVER 1.27µm (50µ") NICKEL, DRY LUBRICANT APPLIED TO CONTACT SURFACE AFTER PLATING.
 - POWER CONTACT WIRE: COPPER WITH PVC INSULATION, UL 10070, 14 OR 16 AWG
 - DIMMABLE CONTACT WIRE: COPPER WITH PVC INSULATION, UL 10070, 18 AWG
2. ELECTRICAL CHARACTERISTICS:
 - HIGH VOLTAGE CURRENT: 15A
 - DIMMABLE CONTROL: 0 - 10V
 - OPERATING VOLTAGE: 480V
3. SPECIFICATIONS:
 - ANSI C136-41-2017
 - AMSI C136-10-2010
 - UL 773



AMPHENOL PART NUMBER FLA-XXXX-XX

UNLESS SPECIFIED OTHERWISE	DRAWN	B.COPPING	NOV14/18
PRIMARY UNITS MILLIMETERS	CHECKED	S.MUGAN	NOV14/18
SECONDARY INCHES	M.E. APP'D		
REFERENCE IN PARENTHESES	Q.A. APP'D		
GENERAL TOLERANCES	DWG APPR.		
1 DECIMAL PLACE	ENG. REL. NO.		
2 DECIMAL PLACES	REF.		
3 DECIMAL PLACES	THIRD ANGLE PROJECTION		
ANGULAR DEGREES	DO NOT SCALE DRAWING		

Amphenol Canada Corp.
 www.amphenolcanada.com

FLA SERIES, DIMMING CONTROL, LOCKING TYPE RECEPTACLE, RoHS COMPLIANT

DWG. NO. _____ REV. A

P-FLA-XXXX-XX

CODE ID NO. 03554 DWG SIZE: X SCALE: 2:1 SHEET 1 OF 1

REVISIONS			
REV	DESCRIPTION, ECN, EAR NO.	DATE	APP'D
A	PROPOSAL DRAWING	NOV14/18	S.M.

X-ON Electronics

Largest Supplier of Electrical and Electronic Components

Click to view similar products for [Lighting Connectors](#) category:

Click to view products by [Amphenol](#) manufacturer:

Other Similar products are found below :

[293300-7](#) [293660-5](#) [CNX_H03_NTP](#) [30-9767-BU](#) [3605](#) [3-21030-1](#) [ZCH-110-RGB-I](#) [503471-0290](#) [ZCH-110-RGB-J](#) [217-0716-200](#)
[1954563-1](#) [1-293657-2](#) [2834036-1](#) [2834037-1](#) [1-2213222-4](#) [2-2213222-4](#) [2213222-4](#) [2834122-3](#) [2834122-5](#) [2834135-2](#) [FLA-R4142-30](#)
[FLA-R4162-30](#) [FLA-R2142-30](#) [FLA-R2162-30](#) [FLA-R2161-30](#) [FLA-R0161-30](#) [FLA-R0141-30](#) [FLA-R0142-30](#) [FLA-R0162-30](#) [FLA-C00-](#)
[00](#) [DGA00010553](#) [CNXV04NTP](#) [104128-0610](#) [503485-0000 \(Cut Strip\)](#) [503485-0000 \(Loose Piece\)](#) [503485-0000 \(MINI Reel\)](#) [1-2834074-2](#)
[1-2834074-3](#) [1357-AC PLUG W2C \(CHINA\)](#) [1357-AC PLUG W2 \(USA\)](#) [104266-0110](#) [CNXV02NTP](#) [2106212-1](#) [2-2834074-2](#) [104266-](#)
[0210](#) [293470-1](#) [293651-2](#) [293651-4](#) [1-2834006-2](#) [293651-1](#)