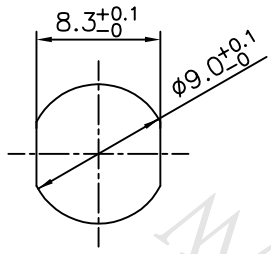
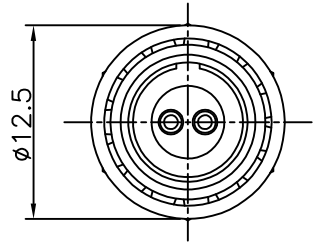
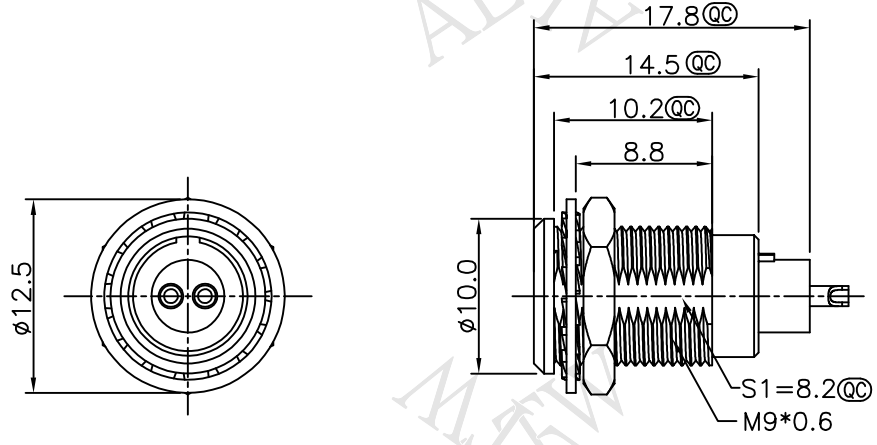
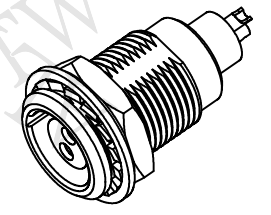
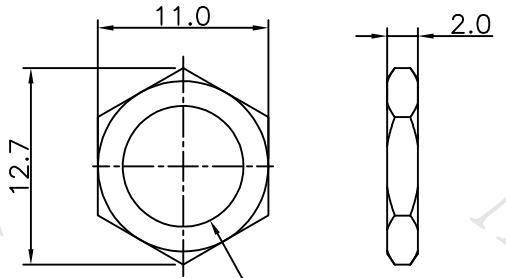


REV.	DESCRIPTION
01	New Initial.

THIS DOCUMENT IS SUBJECT TO CHANGE WITHOUT NOTICE. IT IS CONFIDENTIAL AND A PROPERTY OF Amphenol LTW. DISCLOSURE TO THIRD PARTY HAS TO BE AUTHORIZED BY Amphenol LTW.



Conn.  
Pin Assignments  
Front View



NUT

M9\*0.6

- Notes:
- \* @C Important Dimensions To Check.
  - \* Female Pin: Copper Alloy, Gold Plated.
  - \* Use Panel Thickness Max: 6.0mm

UNIT:mm	TITLE		<h1>Amphenol LTW</h1> <p>安費諾亮泰企業股份有限公司</p>	ITEM NO	DRAWN BY	DATE
	FLO 0B PANEL CONNECTOR			FLBB-XXEGFS-XCP-XXX	Ouyang	2018/09/06
TOLERANCE	SCALE	SHEET	<h2>Amphenol LTW</h2> <p>安費諾亮泰企業股份有限公司</p>	DWG NO	CHECKED BY	DATE
	Free	1 OF 2		FLBB-XXEGFS-XCP-XXX	Mafei	2018/09/06
±0.5MM	REV. 01	SIZE A4	© : Inspection Item	CUSTOMER	APPROVED BY	DATE
				ALTW	Jerry	2018/09/06

THIS DOCUMENT IS SUBJECT TO CHANGE WITHOUT NOTICE. IT IS CONFIDENTIAL AND A PROPERTY OF Amphenol LTW. DISCLOSURE TO THIRD PARTY HAS TO BE AUTHORIZED BY Amphenol LTW.

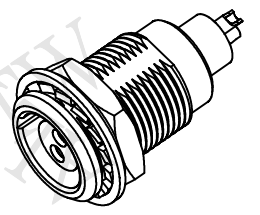
FLBB-XXEGFS-XCP-XXX

SERIAL NO.

KEY POINT ①

PIN CONFIGURATION ②

SIZE(CONNECTOR)



KEY POINT ①

CODE	G	A	B	C	J	F
	0°	30°	60°	90°	45°	155°
GRAPHIC						

PIN CONFIGURATION (Solder Definition) ②

GRAPHIC							
	2 PIN	3 PIN	4 PIN	5 PIN	6 PIN	7 PIN	9 PIN

UNIT:mm		TITLE FLO 0B PANEL CONNECTOR	
TOLERANCE ±0.5MM	SCALE Free	SHEET 2 OF 2	
REV. 01	SIZE A4	© :Inspection Item	

**Amphenol LTW**  
安費諾亮泰企業股份有限公司

ITEM NO FLBB-XXEGFS-XCP-XXX	DRAWN BY Ouyang	DATE 2018/09/06
DWG NO FLBB-XXEGFS-XCP-XXX	CHECKED BY Mafei	DATE 2018/09/06
CUSTOMER ALTW	APPROVED BY Jerry	DATE 2018/09/06

## X-ON Electronics

Largest Supplier of Electrical and Electronic Components

*Click to view similar products for [Circular Push Pull Connectors](#) category:*

*Click to view products by [Amphenol](#) manufacturer:*

Other Similar products are found below :

[6407-249V-11273P](#) [6408-201V-13273](#) [6408-202V-13343](#) [6408-202V-17343](#) [EZG.0B.309.CLN](#) [FFA.2S.310.ZLA](#) [FGA.1B.307.CYCD72Z](#)  
[FGJ.1B.304.CLLD76](#) [FGJ.1B.306.CWLD72](#) [FGJ.2B.302.CYMD82Z](#) [FGJ.2B.310.CYMD72Z](#) [FGJ.3B.304.CYMD10Z](#)  
[FGJ.3B.304.CYMD82Z](#) [FHJ.2B.310.CLLD72](#) [PCS.01.250.DLLE24](#) [PHG.0K.305.CYMC40Z](#) [PHG.1K.308.CLLK85](#) [PKG.M0.6BL.LZ](#)  
[PLC.M1.0SL.LA](#) [GMA.10.290.DN](#) [GMA.3B.090.DA](#) [PRG.M0.6GL.LC52GZ](#) [PSA.1S.275.CTLC66](#) [ABF.1S.250.NTA](#) [133020F](#)  
[1331ER193MZ](#) [1332M107MZ](#) [DTS26Z19-32JA-LC](#) [DTS26Z19-32SA](#) [DTS26Z19-32SA-LC](#) [DTS26Z23-55HA](#) [DTS26Z23-55HA-LC](#)  
[DTS26Z23-55JA-LC](#) [EAJ.1B.306.CWA](#) [ECG.XB.312.CLL](#) [1589430-2](#) [EEA.0B.305.CLN](#) [EEA.0B.309.CLL](#) [ELF.00.250.NTL](#)  
[ERA.01.250.DLL](#) [BRD.0B.200.PCSG](#) [BRR.2S.200.PZVG](#) [HR10A-P](#) [CAH.M34.SLL.C72GZ](#) [CAJ.M34.SLL.C72GZ](#) [300500](#)  
[ESB.00.303.NLL](#) [EXG.0B.309.HLN](#) [FFB.1S.250.CLAC27](#) [FFG.1B.306.CLAZ](#)