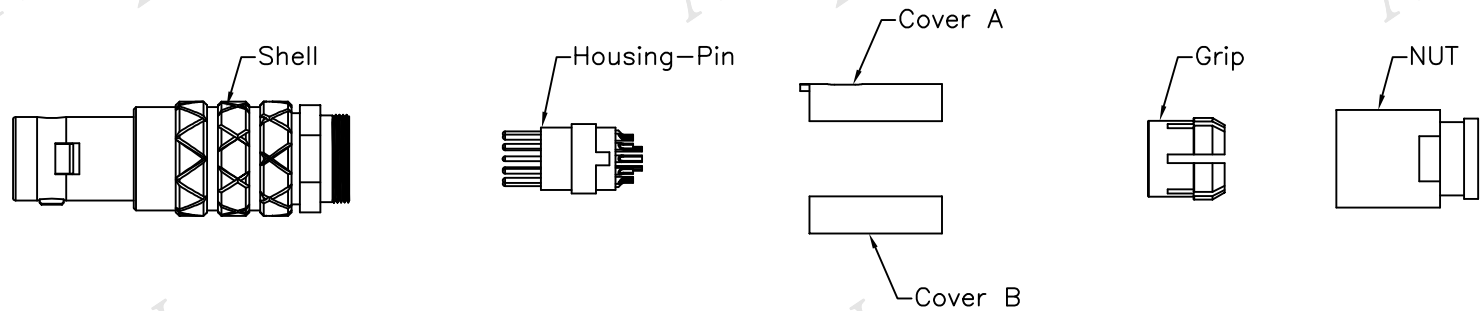
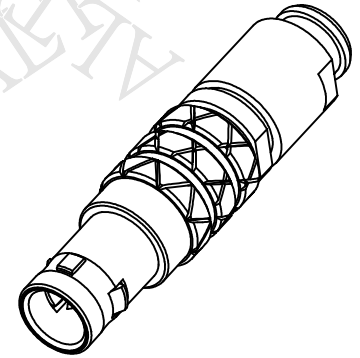
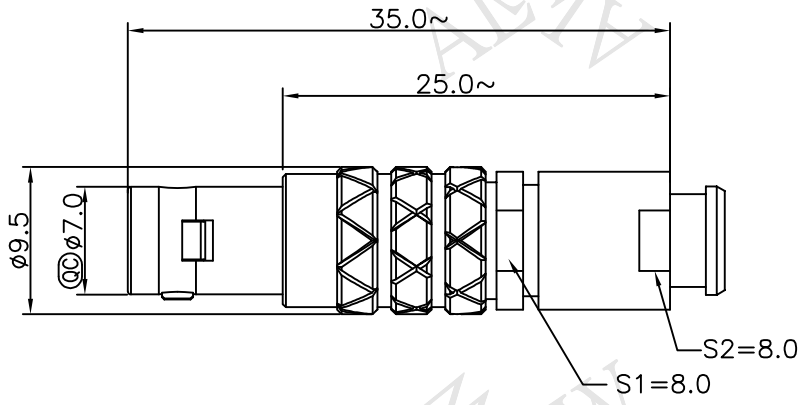


REV. 01	DESCRIPTION New Initial.

THIS DOCUMENT IS SUBJECT TO CHANGE WITHOUT NOTICE. IT IS CONFIDENTIAL AND A PROPERTY OF Amphenol LTW. DISCLOSURE TO THIRD PARTY HAS TO BE AUTHORIZED BY Amphenol LTW.



Notes:
 * Ⓞ Important Dimensions To Check.
 * Pin: Copper Alloy, Gold Plated.

UNIT:mm	
TOLERANCE	
±0.5MM	

TITLE FLO 0B FI CONNECTOR			
SCALE Free	SHEET 1 OF 2		
REV. 01	SIZE A4	Ⓞ :Inspection Item	

Amphenol LTW
 安費諾亮泰企業股份有限公司

ITEM NO FLBB-XXFGMS-XCP-2XX
DWG NO FLBB-XXFGMS-XCP-2XX
CUSTOMER ALTW

DRAWN BY Ouyang
CHECKED BY Mafei
APPROVED BY Jerry







DATE 2018/09/05
DATE 2018/09/05
DATE 2018/09/05

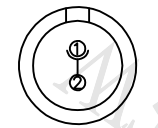
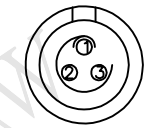
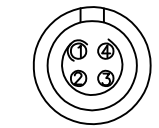

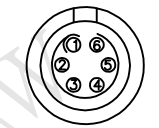
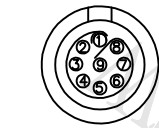
THIS DOCUMENT IS SUBJECT TO CHANGE WITHOUT NOTICE. IT IS CONFIDENTIAL AND A PROPERTY OF Amphenol LTW. DISCLOSURE TO THIRD PARTY HAS TO BE AUTHORIZED BY Amphenol LTW.

FLBB-XXFGMS-XCP-2XX

- CABLE OD ①
- KEY POINT ②
- PIN CONFIGURATION ③
- SIZE(CONNECTOR)

OB-SERIES CABLE COLLET(CABLE OD)			
CABLE CLAMP SET		CABLE DIA RANGE	
TYPE	CODE ①	MAX	MIN
FLBB-XXFGMS-XCP-2XX	01	3.2	2.2
	04	4.2	3.2
	07	5.2	4.2

KEY POINT ②						
CODE	G	A	B	C	J	F
	0°	30°	60°	90°	45°	155°
GRAPHIC						

PIN CONFIGURATION (Solder Definition) ③						
GRAPHIC						
	2 PIN	3 PIN	4 PIN	5 PIN	6 PIN	9 PIN

UNIT:mm		TITLE FLO OB FI CONNECTOR	
TOLERANCE ±0.5MM	SCALE Free	SHEET 2 OF 2	
REV. 01	SIZE A4	© :Inspection Item	

Amphenol LTW
安費諾亮泰企業股份有限公司

ITEM NO FLBB-XXFGMS-XCP-2XX	DRAWN BY Ouyang	DATE 2018/09/05
DWG NO FLBB-XXFGMS-XCP-2XX	CHECKED BY Mafei	DATE 2018/09/05
CUSTOMER ALTW	APPROVED BY Jerry	DATE 2018/09/05

X-ON Electronics

Largest Supplier of Electrical and Electronic Components

Click to view similar products for [Circular Push Pull Connectors](#) category:

Click to view products by [Amphenol](#) manufacturer:

Other Similar products are found below :

[6407-249V-11273P](#) [6408-201V-13273](#) [6408-202V-13343](#) [6408-202V-17343](#) [EZG.0B.309.CLN](#) [FFA.2S.310.ZLA](#) [FGA.1B.307.CYCD72Z](#)
[FGJ.1B.304.CLLD76](#) [FGJ.1B.306.CWLD72](#) [FGJ.3B.304.CYMD10Z](#) [FGJ.3B.304.CYMD82Z](#) [PCS.01.250.DLLE24](#) [PHG.0K.305.CYMC40Z](#)
[PHG.1K.308.CLLK85](#) [PKG.M0.6BL.LZ](#) [PLC.M1.0SL.LA](#) [GMA.10.290.DN](#) [GMA.3B.090.DA](#) [PRG.M0.6GL.LC52GZ](#) [PSA.1S.275.CTLC66](#)
[ABF.1S.250.NTA](#) [133020F](#) [1331ER193MZ](#) [1332M107MZ](#) [DTS26Z19-32JA-LC](#) [DTS26Z19-32SA](#) [DTS26Z19-32SA-LC](#) [DTS26Z23-55HA](#)
[DTS26Z23-55HA-LC](#) [DTS26Z23-55JA-LC](#) [EAJ.1B.306.CWA](#) [ECG.XB.312.CLL](#) [1589430-2](#) [EEA.0B.305.CLN](#) [EEA.0B.309.CLL](#)
[ELF.00.250.NTL](#) [ERA.01.250.DLL](#) [BRD.0B.200.PCSG](#) [BRR.2S.200.PZVG](#) [HR10A-P](#) [CAH.M34.SLL.C72GZ](#) [CAJ.M34.SLL.C72GZ](#)
[300500](#) [ESB.00.303.NLL](#) [EXG.0B.309.HLN](#) [FFB.1S.250.CLAC27](#) [FGA.2B.306.CYCD92](#) [FGA.2B.306.CYCD92Z](#) [FGA.XB.312.CLAD72](#)
[FGJ.1B.302.CYMD62](#)