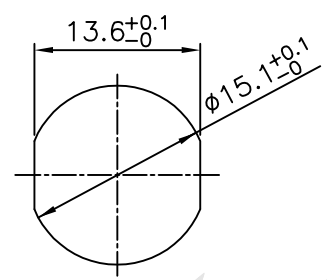
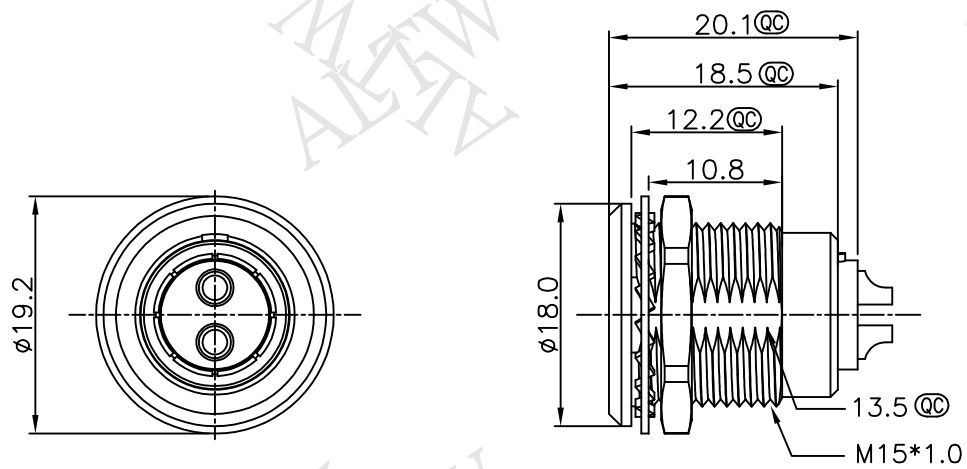
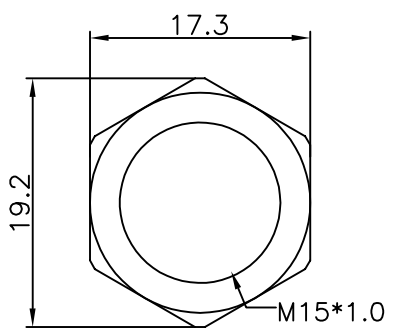


REV.	DESCRIPTION
01	New Initial.

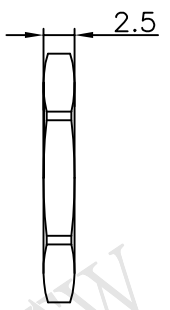
THIS DOCUMENT IS SUBJECT TO CHANGE WITHOUT NOTICE. IT IS CONFIDENTIAL AND A PROPERTY OF Amphenol LTW. DISCLOSURE TO THIRD PARTY HAS TO BE AUTHORIZED BY Amphenol LTW.



Conn.
Pin Assignments
Front View



NUT

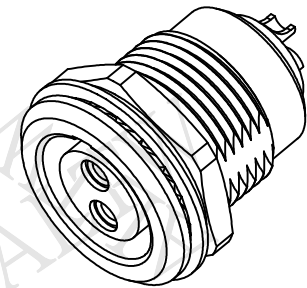


- Notes:
- * @@ Important Dimensions To Check.
 - * Female Pin: Copper Alloy, Gold Plated.
 - * Use Panel Thickness Max: 7.0mm

UNIT:mm		TITLE		<h1>Amphenol LTW</h1>	ITEM NO	DRAWN BY	DATE
		FLO 2B PANEL CONNECTOR			FLBD-XXEGFS-XCP-XXX	Ouyang	2018/09/05
TOLERANCE		SCALE	SHEET	<h2>安費諾亮泰企業股份有限公司</h2>	DWG NO	CHECKED BY	DATE
±0.5MM		Free	1 OF 2		FLBD-XXEGFS-XCP-XXX	Mafei	2018/09/05
REV.	SIZE	@@ :Inspection Item		CUSTOMER	APPROVED BY	DATE	
01	A4			ALTW	Jerry	2018/09/05	

FLBD-XXEGFS-XCP-XXX

SERIAL NO.
 KEY POINT ①
 PIN CONFIGURATION ②
 SIZE(CONNECTOR)



KEY POINT ①

CODE	G	A	B	C	J	F
GRAPHIC	0°	30°	60°	90°	45°	155°

PIN CONFIGURATION (Solder Definition)②

GRAPHIC							
	2 PIN	3 PIN	4 PIN	5 PIN	6 PIN	7 PIN	
	8 PIN	10 PIN	12 PIN	14 PIN	16 PIN	18 PIN	19 PIN

UNIT:mm	
TOLERANCE	±0.5MM

TITLE		FLO 2B PANEL CONNECTOR	
SCALE	Free	SHEET	2 OF 2
REV.	01	SIZE	A4
		Ⓢ :Inspection Item	

Amphenol LTW
 安費諾亮泰企業股份有限公司

ITEM NO	FLBD-XXEGFS-XCP-XXX
DWG NO	FLBD-XXEGFS-XCP-XXX
CUSTOMER	ALTW

DRAWN BY	Ouyang
CHECKED BY	Mafei
APPROVED BY	Jerry

DATE	2018/09/05
DATE	2018/09/05
DATE	2018/09/05

THIS DOCUMENT IS SUBJECT TO CHANGE WITHOUT NOTICE. IT IS CONFIDENTIAL AND A PROPERTY OF Amphenol LTW. DISCLOSURE TO THIRD PARTY HAS TO BE AUTHORIZED BY Amphenol LTW.

X-ON Electronics

Largest Supplier of Electrical and Electronic Components

Click to view similar products for [Circular Push Pull Connectors](#) category:

Click to view products by [Amphenol](#) manufacturer:

Other Similar products are found below :

[6407-249V-11273P](#) [6408-201V-13273](#) [6408-202V-13343](#) [6408-202V-17343](#) [EZG.0B.309.CLN](#) [FFA.2S.310.ZLA](#) [FGA.1B.307.CYCD72Z](#)
[FGJ.1B.304.CLLD76](#) [FGJ.1B.306.CWLD72](#) [FGJ.3B.304.CYMD10Z](#) [FGJ.3B.304.CYMD82Z](#) [PCS.01.250.DLLE24](#) [PHG.0K.305.CYMC40Z](#)
[PHG.1K.308.CLLK85](#) [PKG.M0.6BL.LZ](#) [PLC.M1.0SL.LA](#) [GMA.10.290.DN](#) [GMA.3B.090.DA](#) [PRG.M0.6GL.LC52GZ](#) [PSA.1S.275.CTLC66](#)
[ABF.1S.250.NTA](#) [133020F](#) [1331ER193MZ](#) [1332M107MZ](#) [DTS26Z19-32JA-LC](#) [DTS26Z19-32SA](#) [DTS26Z19-32SA-LC](#) [DTS26Z23-55HA](#)
[DTS26Z23-55HA-LC](#) [DTS26Z23-55JA-LC](#) [EAJ.1B.306.CWA](#) [ECG.XB.312.CLL](#) [1589430-2](#) [EEA.0B.305.CLN](#) [EEA.0B.309.CLL](#)
[ELF.00.250.NTL](#) [ERA.01.250.DLL](#) [BRD.0B.200.PCSG](#) [BRR.2S.200.PZVG](#) [HR10A-P](#) [CAH.M34.SLL.C72GZ](#) [CAJ.M34.SLL.C72GZ](#)
[300500](#) [ESB.00.303.NLL](#) [EXG.0B.309.HLN](#) [FFB.1S.250.CLAC27](#) [FGA.2B.306.CYCD92](#) [FGA.2B.306.CYCD92Z](#) [FGA.XB.312.CLAD72](#)
[FGJ.1B.302.CYMD62](#)