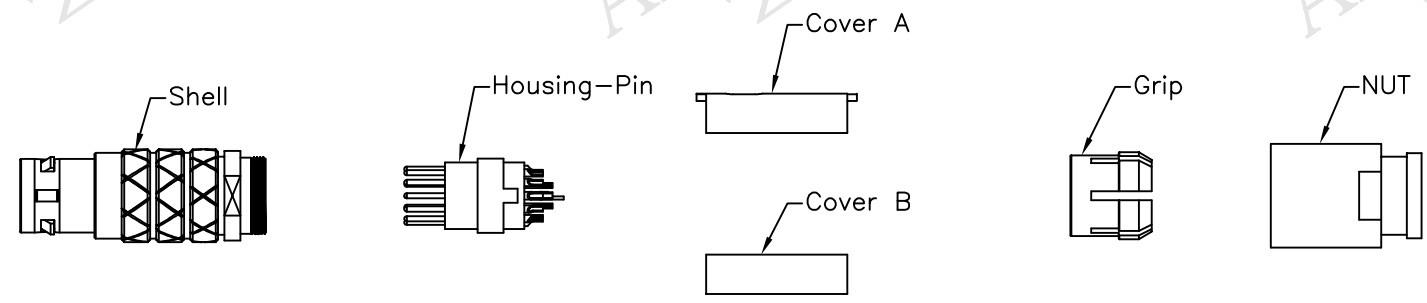
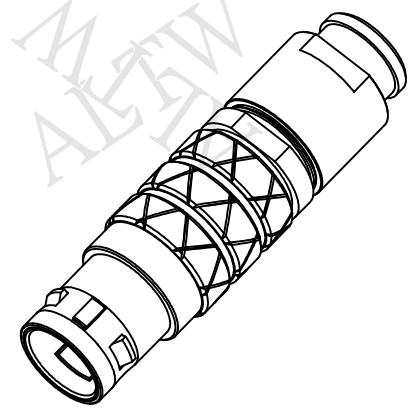
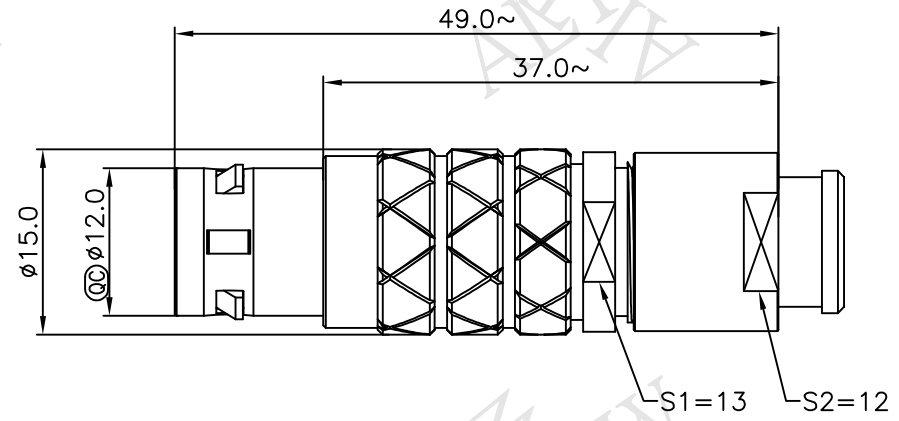


REV.	DESCRIPTION

THIS DOCUMENT IS SUBJECT TO CHANGE WITHOUT NOTICE. IT IS CONFIDENTIAL AND A PROPERTY OF Amphenol LTW. DISCLOSURE TO THIRD PARTY HAS TO BE AUTHORIZED BY Amphenol LTW.

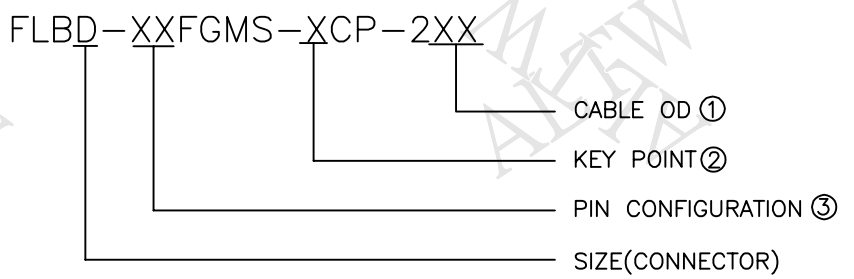


Notes:  
 \*  $\text{QC}$  Important Dimensions To Check.  
 \* Male Pin: Copper Alloy, Gold Plated.

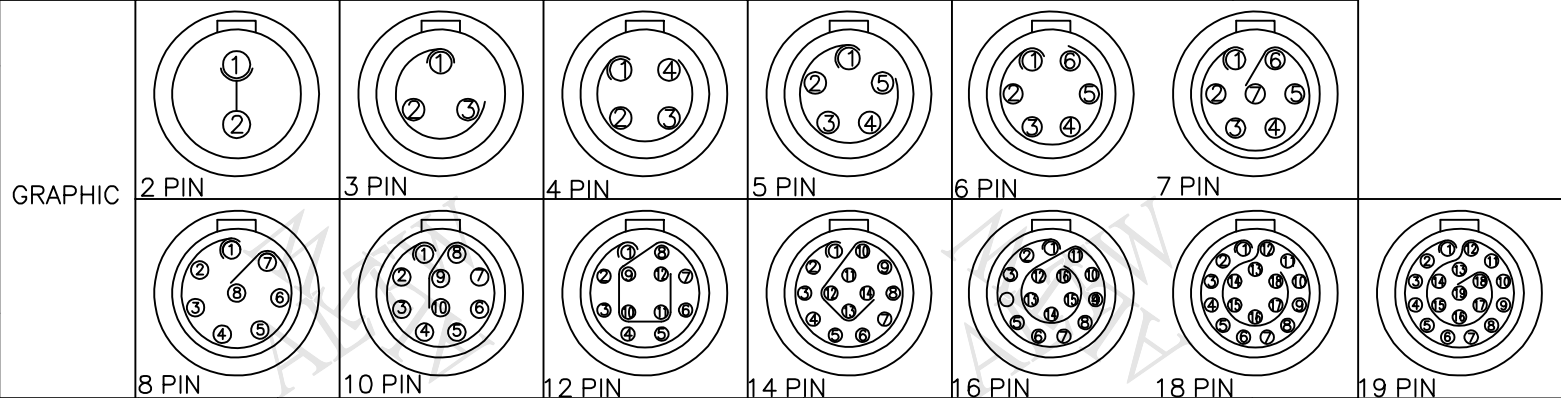
UNIT:mm $\pm 0.5\text{MM}$	TITLE FLO 2B FI CONNECTOR		<b>Amphenol LTW</b> 安費諾亮泰企業股份有限公司	ITEM NO FLBD-XXFGMS-XCP-2XX	DRAWN BY Ouyang	DATE 2018/09/04
	SCALE Free	SHEET 1 OF 2		DWG NO FLBD-XXFGMS-XCP-2XX	CHECKED BY Mafei	DATE 2018/09/04
REV. 01	SIZE A4	$\text{QC}$ : Inspection Item		CUSTOMER ALTW	APPROVED BY Jerry	DATE 2018/09/04

THIS DOCUMENT IS SUBJECT TO CHANGE WITHOUT NOTICE. IT IS CONFIDENTIAL AND A PROPERTY OF Amphenol LTW. DISCLOSURE TO THIRD PARTY HAS TO BE AUTHORIZED BY Amphenol LTW.

2B-SERIES CABLE COLLET(CABLE OD)			
CABLE CLAMP SET		CABLE DIA RANGE	
TYPE	CODE ①	MAX	MIN
FLBD-XXFGMS-XCP-2XX	11	6.2	5.2
	14	7.2	6.2
	16	8.2	7.2
	19	9.2	8.2



KEY POINT ②						
CODE	G	A	B	C	J	F
	0°	30°	60°	90°	45°	155°
GRAPHIC						
PIN CONFIGURATION (Solder Definition) ③						



UNIT:mm		TITLE	FLO 2B FI CONNECTOR		Amphenol LTW	ITEM NO	FLBD-XXFGMS-XCP-2XX	DRAWN BY	Ouyang	DATE	2018/09/04
TOLERANCE	±0.5MM	SCALE	Free	SHEET	2 OF 2	DWG NO	FLBD-XXFGMS-XCP-2XX	CHECKED BY	Mafei	DATE	2018/09/04
REV.	01	SIZE	A4	© :Inspection Item		CUSTOMER	ALTW	APPROVED BY	Jerry	DATE	2018/09/04

安費諾亮泰企業股份有限公司

## X-ON Electronics

Largest Supplier of Electrical and Electronic Components

*Click to view similar products for [Circular Push Pull Connectors](#) category:*

*Click to view products by [Amphenol](#) manufacturer:*

Other Similar products are found below :

[6407-249V-11273P](#) [6408-201V-13273](#) [6408-202V-13343](#) [6408-202V-17343](#) [EZG.0B.309.CLN](#) [FFA.2S.310.ZLA](#) [FGA.1B.307.CYCD72Z](#)  
[FGJ.1B.304.CLLD76](#) [FGJ.1B.306.CWLD72](#) [FGJ.2B.302.CYMD82Z](#) [FGJ.2B.310.CYMD72Z](#) [FGJ.3B.304.CYMD10Z](#)  
[FGJ.3B.304.CYMD82Z](#) [FHJ.2B.310.CLLD72](#) [PCS.01.250.DLLE24](#) [PHG.0K.305.CYMC40Z](#) [PHG.1K.308.CLLK85](#) [PKG.M0.6BL.LZ](#)  
[PLC.M1.0SL.LA](#) [GMA.10.290.DN](#) [GMA.3B.090.DA](#) [PRG.M0.6GL.LC52GZ](#) [PSA.1S.275.CTLC66](#) [ABF.1S.250.NTA](#) [133020F](#)  
[1331ER193MZ](#) [1332M107MZ](#) [DTS26Z19-32JA-LC](#) [DTS26Z19-32SA](#) [DTS26Z19-32SA-LC](#) [DTS26Z23-55HA](#) [DTS26Z23-55HA-LC](#)  
[DTS26Z23-55JA-LC](#) [EAJ.1B.306.CWA](#) [ECG.XB.312.CLL](#) [1589430-2](#) [EEA.0B.305.CLN](#) [EEA.0B.309.CLL](#) [ELF.00.250.NTL](#)  
[ERA.01.250.DLL](#) [BRD.0B.200.PCSG](#) [BRR.2S.200.PZVG](#) [HR10A-P](#) [CAH.M34.SLL.C72GZ](#) [CAJ.M34.SLL.C72GZ](#) [300500](#)  
[ESB.00.303.NLL](#) [EXG.0B.309.HLN](#) [FFB.1S.250.CLAC27](#) [FFG.1B.306.CLAZ](#)