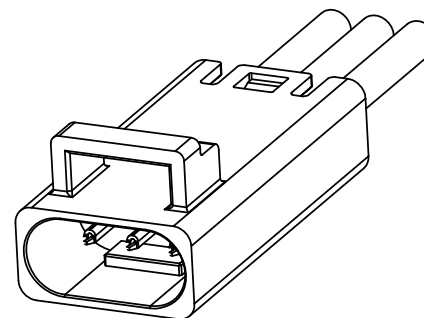
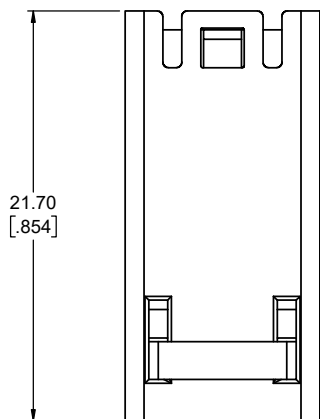




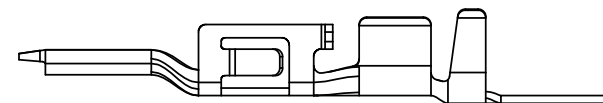
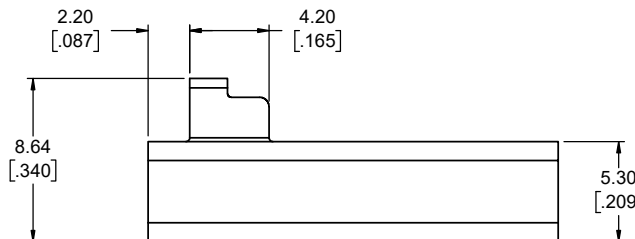
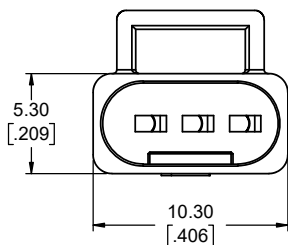
REVISIONS			
REV	DESCRIPTION, ECN, EAR NO.	DATE	APPD
D	CONTACT RENAMED	NOV30/18	S.M.
E	CURRENT RATING CHANGE	JAN22/19	S.M.

**PART NUMBER:** FLH - PX 1 - 00

**SERIES** \_\_\_\_\_  
 FLH  
**HOUSING TYPE** \_\_\_\_\_  
 P2 = 2 PIN HOUSING  
 P3 = 3 PIN HOUSING



**APPLICATION VIEW  
 WITH 3 CONTACTS  
 AND WIRES INSTALLED**

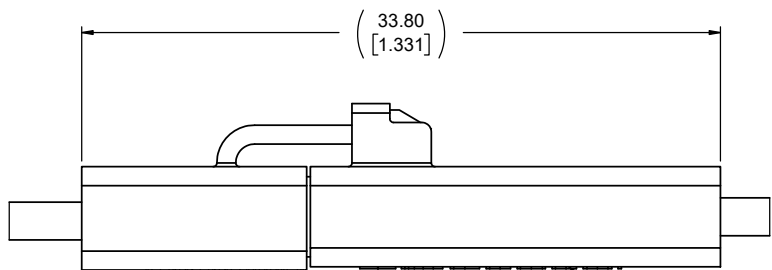


**FLH-PC136-XXX - PIN CONTACT  
 SEE NOTES 3 & 4  
 SCALE 10:1**

**NOTES:**

- MATERIALS:** ALL MATERIALS ARE RoHS COMPLIANT PER EU DIRECTIVE 2011/65/EU & AMENDMENTS
  - HOUSING: ENGINEERING THERMOPLASTIC, UL FLAMMABILITY RATING 94V-0, COLOUR BLACK
  - SEALS: SILICONE RUBBER
- ELECTRICAL CHARACTERISTICS**
  - CURRENT RATING: 8A (18 AWG) OR 5A (20 AWG) OR 3A (22 AWG) PER CONTACT WHEN USING 3 CONTACTS
  - DIELECTRIC WITHSTANDING VOLTAGE: 1800 VAC
  - INSULATION RESISTANCE: 500 MEGAOHMS
  - OPERATING TEMPERATURE: -40°C TO +105°C
- CRIMP WIRE TO CONTACT BEFORE ASSEMBLING INTO HOUSING.
- PIN CONTACTS TO BE PURCHASED SEPARATELY ON REEL. P/N: FLH-PC136-XXX

**AMPHENOL PART NUMBER: FLH-PX1-00**



SOCKET CONNECTOR  
 FLH-SX1-00

**MATED ASSEMBLY VIEW**

PIN CONNECTOR  
 FLH-PX1-00

UNLESS SPECIFIED OTHERWISE	DRAWN	B.COPPING	FEB20/18
PRIMARY UNITS MILLIMETERS	CHECKED	S.MUGAN	FEB20/18
SECONDARY UNITS INCHES	M.E. APPD		
REFERENCE IN PARENTHESES	Q.A. APPD		
GENERAL TOLERANCES	DWG APPR.		
1 DECIMAL PLACE	ENG. REL. NO.		
2 DECIMAL PLACES	REF.		
3 DECIMAL PLACES	THIRD ANGLE PROJECTION		
ANGULAR DEGREES	DO NOT SCALE DRAWING		

**Amphenol Canada Corp.**  
 Commercial Products

FLH SERIES, MINI SEALED 2.5mm PITCH PIN CONNECTOR HOUSING ASSEMBLY, 2 OR 3 CONTACT OPTIONS, RoHS COMPLIANT

DWG. NO. **P-FLH-PX1-00** REV **E**

CODE ID NO. 03554 DWG SIZE: X SCALE: 5:1 SHEET 1 OF 1

## X-ON Electronics

Largest Supplier of Electrical and Electronic Components

*Click to view similar products for [Headers & Wire Housings](#) category:*

*Click to view products by [Amphenol](#) manufacturer:*

Other Similar products are found below :

[892-18-020-10-001101](#) [58102-G61-06LF](#) [582553-1](#) [0009485154](#) [009176003701906](#) [0050291907](#) [LY20-4P-DT1-P1E-BR](#) [02.125.8002.8](#)  
[609-3404](#) [61062-3](#) [622-0430](#) [622-3653LF](#) [63453-116](#) [636-1030](#) [636-1427](#) [636-3427](#) [636-4007](#) [641938-9](#) [641991-4](#) [644827-2](#) [65817-010LF](#)  
[65817-015LF](#) [65863-015LF](#) [66207-023LF](#) [67095-007LF](#) [67601157](#) [68648-049](#) [70.362.1628.0](#) [70-4210](#) [70-4226B](#) [70-4853B](#) [707-5020](#) [707-5028](#) [71.350.2428.0](#) [71918-208LF](#) [71961-016LF](#) [733-134](#) [733-162](#) [754199-000](#) [760-3052](#) [787-8014-00](#) [79531-3000](#) [FCN-360C032-B](#) [FCN-367T-T012/H](#) [FCN-723D010/2](#) [80.063.4001.1](#) [800-90-001-10-001000](#) [800-90-010-10-002000](#) [801-43-002-10-013000](#) [801-43-006-10-002000](#)