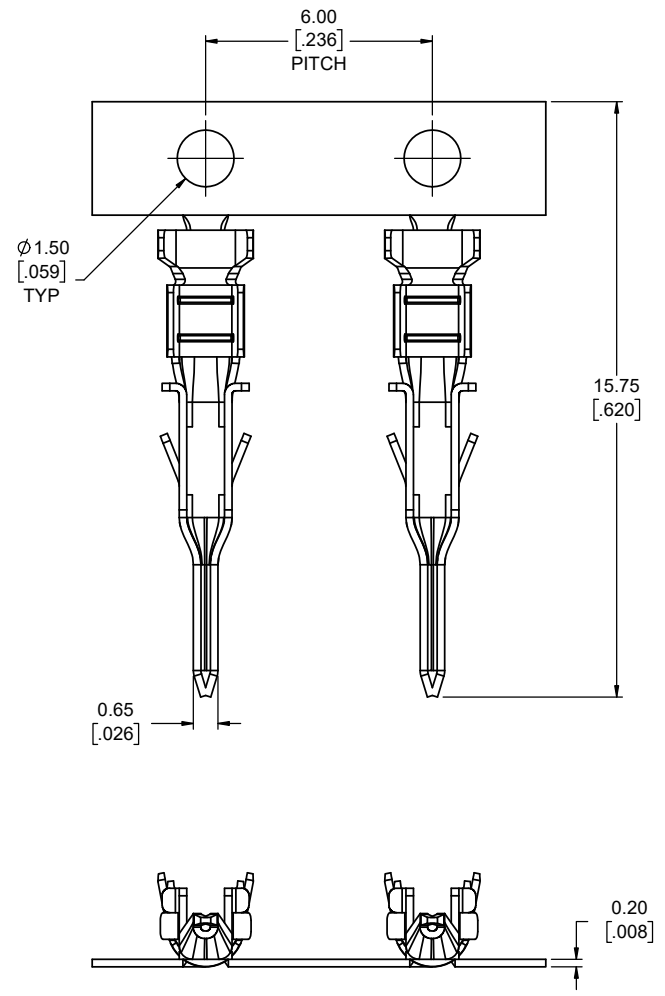
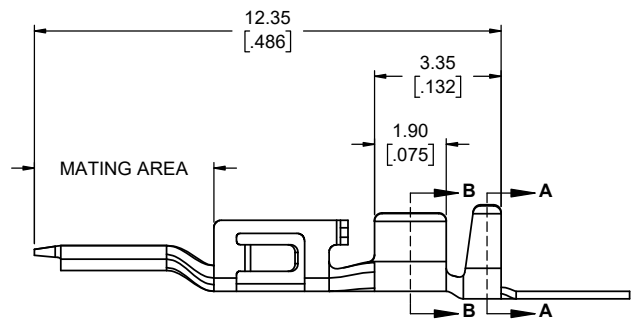
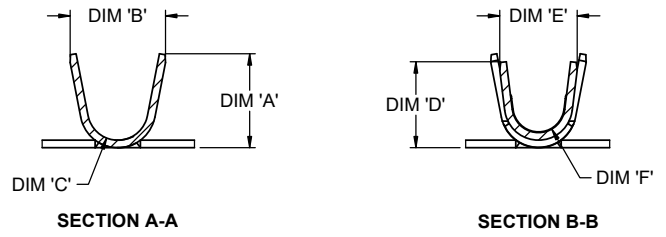


REVISIONS			
REV	DESCRIPTION, ECN, EAR NO.	DATE	APPD
A	PROPOSAL DRAWING	NOV30/18	S.M.
B	CURRENT RATING CHANGE	JAN22/19	S.M.



WIRE SIZE	MAX INSULATION	DIM 'A'	DIM 'B'	DIM 'C'	DIM 'D'	DIM 'E'	DIM 'F'
18 - 22	1.5	2.29	2.54	0.76	1.91	2.08	0.64



PART NUMBER: **FLH - PC136 - XXX**

SERIES
FLH

CONTACT TYPE
PC = PIN CONTACT
3 = AWG #18 - AWG # 22

CONTACT FINISH
T01 = 100µ" TIN
G15 = 15µ" GOLD
G30 = 30µ" GOLD

NOTES:

- MATERIALS: ALL MATERIALS ARE RoHS COMPLIANT PER EU DIRECTIVE 2011/65/EU & AMENDMENTS
 - CONTACTS: PHOSPHOR BRONZE PLATED WITH NICKEL UNDER PLATE ALL OVER. MATING AREA PLATED WITH MATTE TIN OR GOLD AS DEFINED BY THE PART NUMBER SELECTED.
- ELECTRICAL CHARACTERISTICS
 - CURRENT RATING: 8A (18 AWG) OR 5A (20 AWG) OR 3A (22 AWG) PER CONTACT WHWN USING 3 CONTACTS
 - OPERATING TEMPERATURE: -40°C TO +105°C
- CONTACT DESIGNED FOR SOCKET HOUSING P/N: FLH-PX1-00



AMPHENOL PART NUMBER: FLH-PC136-XXX

UNLESS SPECIFIED OTHERWISE	DRAWN	B.COPPING	NOV30/18
PRIMARY UNITS MILLIMETERS	CHECKED	S.MUGAN	NOV30/18
SECONDARY INCHES	M.E. APPD		
REFERENCE IN PARENTHESES	Q.A. APPD		
GENERAL TOLERANCES	DWG APPR.		
1 DECIMAL PLACE	ENG. REL. NO.		
2 DECIMAL PLACES ±0.20	REF.		
3 DECIMAL PLACES	THIRD ANGLE PROJECTION		
ANGULAR DEGREES			

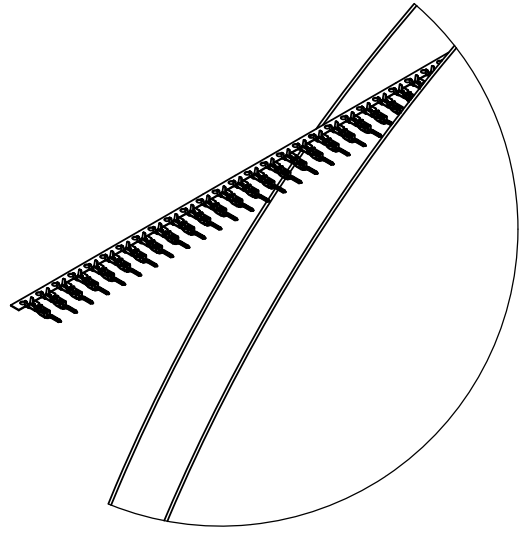
Amphenol Canada Corp.
Commercial Products

FLH SERIES, 2.5mm PITCH PIN CONTACT, CRIMP TERMINATION, RoHS COMPLIANT

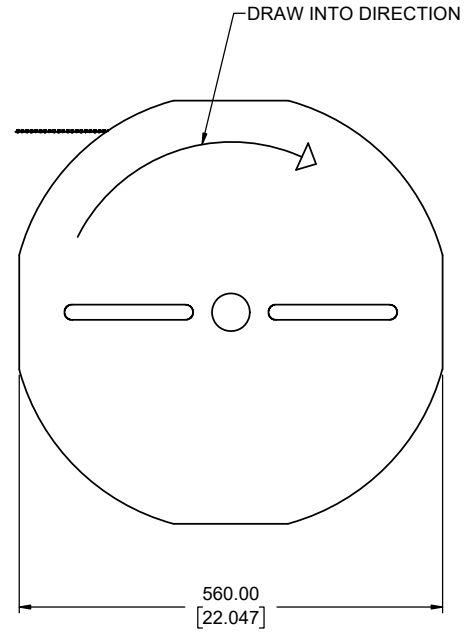
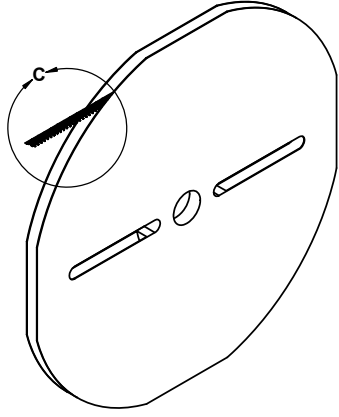
DWG. NO. **P-FLH-PC136-XXX** REV **B**

CODE ID NO. 03554 DWG SIZE: X SCALE: 10:1 SHEET 1 OF 2

REVISIONS			
REV	DESCRIPTION, ECN, EAR NO.	DATE	APPD
A	PROPOSAL DRAWING	NOV30/18	S.M.
B	CURRENT RATING CHANGE	JAN22/19	S.M.



DETAIL C
SCALE 1 : 1



UNLESS SPECIFIED OTHERWISE	DRAWN	B.COPPING	NOV30/18
PRIMARY UNITS MILLIMETERS	CHECKED	S.MUGAN	NOV30/18
SECONDARY INCHES	M.E. APPD		
REFERENCE IN PARENTHESES	Q.A. APPD		
GENERAL TOLERANCES	DWG APPR.		
1 DECIMAL PLACE	ENG. REL. NO.		
2 DECIMAL PLACES ±0.20	REF.		
3 DECIMAL PLACES	THIRD ANGLE PROJECTION		DO NOT SCALE DRAWING
ANGULAR DEGREES			

Amphenol Canada Corp.
Commercial Products

FLH SERIES, 2.5mm PITCH PIN CONTACT, CRIMP TERMINATION, RoHS COMPLIANT

DWG. NO. **P-FLH-PC136-XXX** REV **B**

CODE ID NO. 03554 DWG SIZE: X SCALE: 1:5 SHEET 2 OF 2

X-ON Electronics

Largest Supplier of Electrical and Electronic Components

Click to view similar products for [Headers & Wire Housings](#) category:

Click to view products by [Amphenol](#) manufacturer:

Other Similar products are found below :

[892-18-020-10-001101](#) [58102-G61-06LF](#) [582553-1](#) [0009485154](#) [009176003701906](#) [0050291907](#) [LY20-4P-DT1-P1E-BR](#) [02.125.8002.8](#)
[609-3404](#) [61062-3](#) [622-0430](#) [622-3653LF](#) [63453-116](#) [636-1030](#) [636-1427](#) [636-3427](#) [636-4007](#) [641938-9](#) [641991-4](#) [644827-2](#) [65817-010LF](#)
[65817-015LF](#) [65863-015LF](#) [66207-023LF](#) [67095-007LF](#) [67601157](#) [68648-049](#) [70.362.1628.0](#) [70-4210](#) [70-4226B](#) [70-4853B](#) [707-5020](#) [707-](#)
[5028](#) [71.350.2428.0](#) [71918-208LF](#) [71961-016LF](#) [733-134](#) [733-162](#) [754199-000](#) [760-3052](#) [787-8014-00](#) [79531-3000](#) [FCN-360C032-B](#) [FCN-](#)
[367T-T012/H](#) [FCN-723D010/2](#) [80.063.4001.1](#) [800-90-001-10-001000](#) [800-90-010-10-002000](#) [801-43-002-10-013000](#) [801-43-006-10-002000](#)