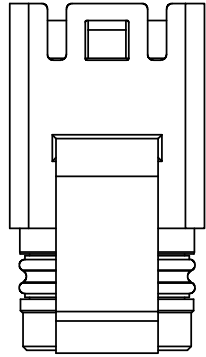




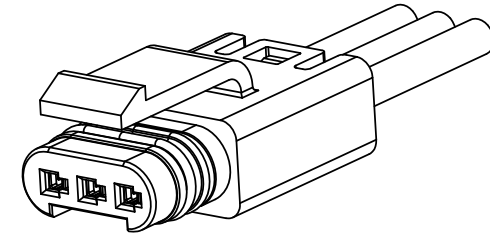
REVISIONS			
REV	DESCRIPTION, ECN, EAR NO.	DATE	APPD
D	CONTACT RENAMED	NOV30/18	S.M.
E	CURRENT RATING CHANGE	JAN22/19	S.M.



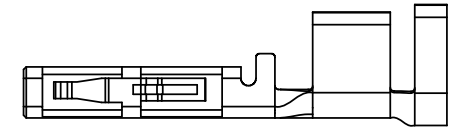
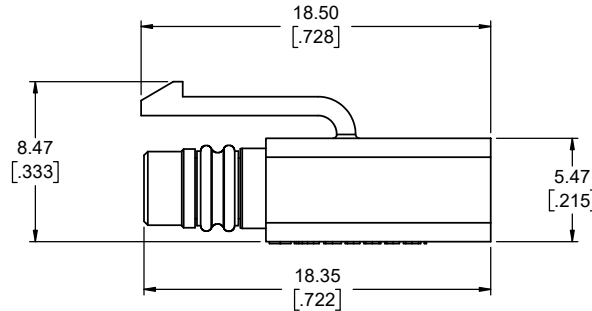
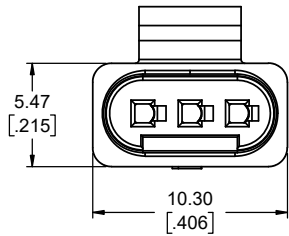
PART NUMBER: **FLH - SX 1 - 00**

SERIES
FLH

HOUSING TYPE
S2 = 2 SOCKET HOUSING
S3 = 3 SOCKET HOUSING



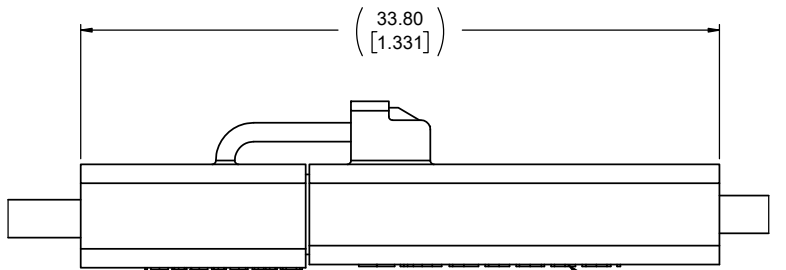
**APPLICATION VIEW
WITH 3 CONTACTS
AND WIRES INSTALLED**



**FLH-SC136-XXX - SOCKET CONTACT
SEE NOTES 3 & 4
SCALE 10:1**

NOTES:

- MATERIALS: ALL MATERIALS ARE RoHS COMPLIANT PER EU DIRECTIVE 2011/65/EU & AMENDMENTS
 - HOUSING: ENGINEERING THERMOPLASTIC, UL FLAMMABILITY RATING 94V-0, COLOUR BLACK
 - SEALS: SILICONE RUBBER
- ELECTRICAL CHARACTERISTICS
 - CURRENT RATING: 8A (18 AWG) OR 5A (20 AWG) OR 3A (22 AWG) PER CONTACT WHEN USING
 - 3 CONTACTS
 - DIELECTRIC WITHSTANDING VOLTAGE: 1800 VAC
 - INSULATION RESISTANCE: 500 MEGAOHMS
 - OPERATING TEMPERATURE: -40 °C TO +105 °C
- CRIMP WIRE TO CONTACT BEFORE ASSEMBLING INTO HOUSING.
- SOCKET CONTACTS TO BE PURCHASED SEPARATELY ON REEL. P/N: FLH-SC136-XXX



SOCKET CONNECTOR
FLH-SX1-00

MATED ASSEMBLY VIEW

PIN CONNECTOR
FLH-PX1-00

AMPHENOL PART NUMBER: FLH-SX1-00

UNLESS SPECIFIED OTHERWISE	DRAWN	B.COPPING	FEB20/18
PRIMARY UNITS MILLIMETERS	CHECKED	S.MUGAN	FEB20/18
SECONDARY INCHES	M.E. APPD		
REFERENCE IN PARENTHESES	Q.A. APPD		
GENERAL TOLERANCES	DWG APPR.		
1 DECIMAL PLACE	ENG. REL. NO.		
2 DECIMAL PLACES ±0.10	REF.		
3 DECIMAL PLACES	THIRD ANGLE PROJECTION		
ANGULAR DEGREES			

Amphenol Canada Corp.			
Commercial Products			
FLH SERIES, MINI SEALED 2.5mm PITCH SOCKET CONNECTOR HOUSING ASSEMBLY, 2 OR 3 CONTACT OPTIONS, RoHS COMPLIANT			
DWG. NO.	P-FLH-SX1-00		REV E
CODE ID NO.	03554	DWG SIZE: X	SCALE: 5:1
			SHEET 1 OF 1

X-ON Electronics

Largest Supplier of Electrical and Electronic Components

Click to view similar products for [Headers & Wire Housings](#) category:

Click to view products by [Amphenol](#) manufacturer:

Other Similar products are found below :

[892-18-020-10-001101](#) [58102-G61-06LF](#) [582553-1](#) [0009485154](#) [009176003701906](#) [0050291907](#) [LY20-4P-DT1-P1E-BR](#) [02.125.8002.8](#)
[609-3404](#) [61062-3](#) [622-0430](#) [622-3653LF](#) [63453-116](#) [636-1030](#) [636-1427](#) [636-3427](#) [636-4007](#) [641938-9](#) [641991-4](#) [644827-2](#) [65817-010LF](#)
[65817-015LF](#) [65863-015LF](#) [66207-023LF](#) [67095-007LF](#) [67601157](#) [68648-049](#) [70.362.1628.0](#) [70-4210](#) [70-4226B](#) [70-4853B](#) [707-5020](#) [707-](#)
[5028](#) [71.350.2428.0](#) [71918-208LF](#) [71961-016LF](#) [733-134](#) [733-162](#) [754199-000](#) [760-3052](#) [787-8014-00](#) [79531-3000](#) [FCN-360C032-B](#) [FCN-](#)
[367T-T012/H](#) [FCN-723D010/2](#) [80.063.4001.1](#) [800-90-001-10-001000](#) [800-90-010-10-002000](#) [801-43-002-10-013000](#) [801-43-006-10-002000](#)