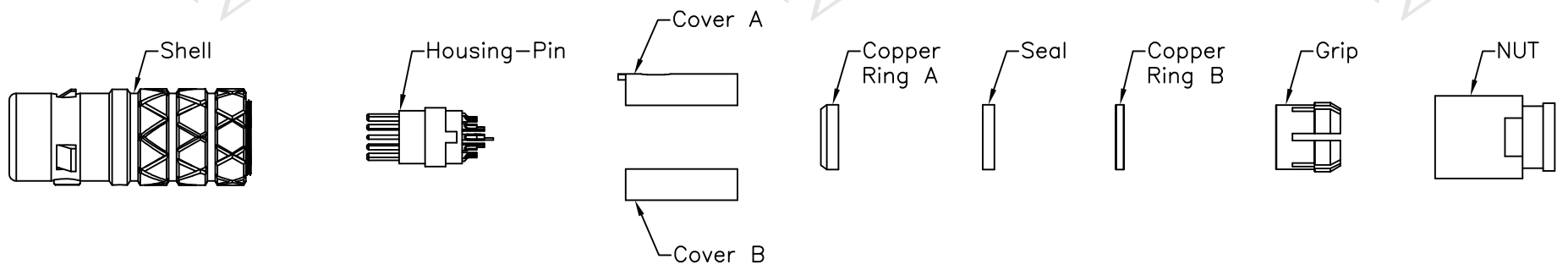
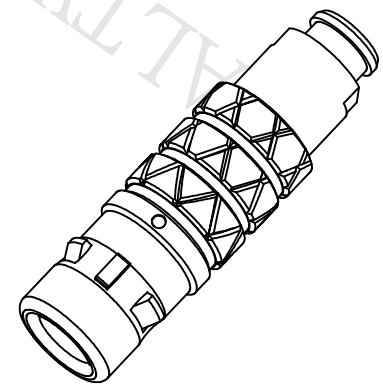
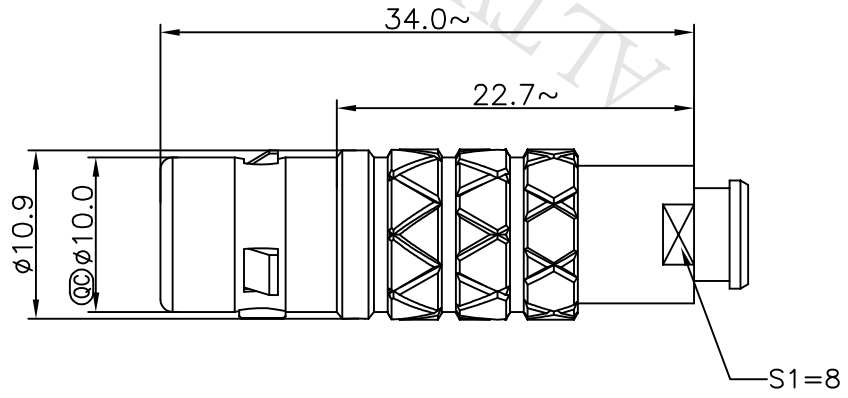


REV.	DESCRIPTION

THIS DOCUMENT IS SUBJECT TO CHANGE WITHOUT NOTICE. IT IS CONFIDENTIAL AND A PROPERTY OF Amphenol LTW. DISCLOSURE TO THIRD PARTY HAS TO BE AUTHORIZED BY Amphenol LTW.



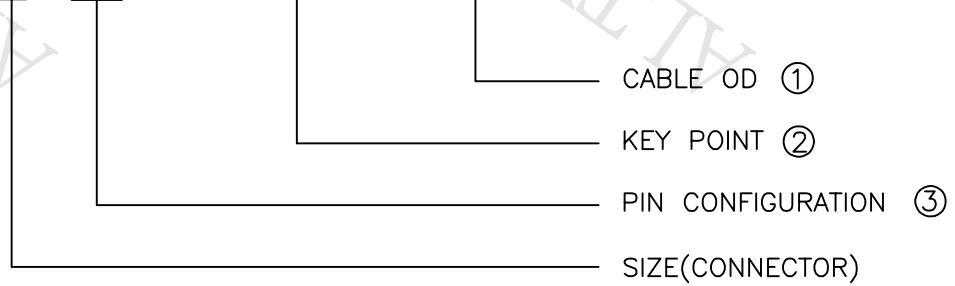
- Notes:
- * QC Important Dimensions To Check.
 - * Waterproof Rate: IP68
(Mated, by Applying O-ring and Potting Material)
 - * Male Pin: Copper Alloy, Gold Plated.

UNIT:mm 	TITLE FLO OK FI CONNECTOR		Amphenol LTW 安費諾亮泰企業股份有限公司	ITEM NO FLKB-XXFGMS-XCP-2XX	DRAWN BY Ouyang	DATE 2018/09/04
	TOLERANCE $\pm 0.5\text{MM}$	SCALE Free		SHEET 1 OF 2	DWG NO FLKB-XXFGMS-XCP-2XX	CHECKED BY Mafei
REV. 01	SIZE A4	QC : Inspection Item		CUSTOMER ALTW	APPROVED BY Jerry	DATE 2018/09/04

THIS DOCUMENT IS SUBJECT TO CHANGE WITHOUT NOTICE. IT IS CONFIDENTIAL AND A PROPERTY OF Amphenol LTW. DISCLOSURE TO THIRD PARTY HAS TO BE AUTHORIZED BY Amphenol LTW.

OK-SERIES CABLE COLLET(CABLE OD)			
CABLE CLAMP SET		CABLE DIA RANGE	
TYPE	CODE ①	MAX	MIN
FLKB-XXFGMS-XCP-2XX	03	3.0	2.8
	05	3.6	3.4
	06	4.0	3.8
	09	4.7	4.5

FLKB-XXFGMS-XCP-2XX



KEY POINT					
CODE ②	G	A	B	C	D
	0°	30°	45°	60°	95°
GRAPHIC					

PIN CONFIGURATION (Solder Definition) ③						
GRAPHIC						
	2 PIN	3 PIN	4 PIN	5 PIN	6 PIN	9 PIN

UNIT:mm		TITLE
TOLERANCE	±0.5MM	FLO OK FI CONNECTOR
SCALE	Free	SHEET 2 OF 2
REV. 01	SIZE A4	◎ : Inspection Item

Amphenol LTW
安費諾亮泰企業股份有限公司

ITEM NO	FLKB-XXFGMS-XCP-2XX	DRAWN BY	Ouyang	DATE	2018/09/04
DWG NO	FLKB-XXFGMS-XCP-2XX	CHECKED BY	Mafei	DATE	2018/09/04
CUSTOMER	ALTW	APPROVED BY	Jerry	DATE	2018/09/04

X-ON Electronics

Largest Supplier of Electrical and Electronic Components

Click to view similar products for [Circular Push Pull Connectors](#) category:

Click to view products by [Amphenol](#) manufacturer:

Other Similar products are found below :

[6407-249V-11273P](#) [6408-201V-13273](#) [6408-202V-13343](#) [6408-202V-17343](#) [EZG.0B.309.CLN](#) [FFA.2S.310.ZLA](#) [FGA.1B.307.CYCD72Z](#)
[FGJ.1B.304.CLLD76](#) [FGJ.1B.306.CWLD72](#) [FGJ.3B.304.CYMD10Z](#) [FGJ.3B.304.CYMD82Z](#) [PCS.01.250.DLLE24](#) [PHG.0K.305.CYMC40Z](#)
[PHG.1K.308.CLLK85](#) [PKG.M0.6BL.LZ](#) [PLC.M1.0SL.LA](#) [GMA.10.290.DN](#) [GMA.3B.090.DA](#) [PRG.M0.6GL.LC52GZ](#) [PSA.1S.275.CTLC66](#)
[ABF.1S.250.NTA](#) [133020F](#) [1331ER193MZ](#) [1332M107MZ](#) [DTS26Z19-32JA-LC](#) [DTS26Z19-32SA](#) [DTS26Z19-32SA-LC](#) [DTS26Z23-55HA](#)
[DTS26Z23-55HA-LC](#) [DTS26Z23-55JA-LC](#) [EAJ.1B.306.CWA](#) [ECG.XB.312.CLL](#) [1589430-2](#) [EEA.0B.305.CLN](#) [EEA.0B.309.CLL](#)
[ELF.00.250.NTL](#) [ERA.01.250.DLL](#) [BRD.0B.200.PCSG](#) [BRR.2S.200.PZVG](#) [HR10A-P](#) [CAH.M34.SLL.C72GZ](#) [CAJ.M34.SLL.C72GZ](#)
[300500](#) [ESB.00.303.NLL](#) [EXG.0B.309.HLN](#) [FFB.1S.250.CLAC27](#) [FGA.2B.306.CYCD92](#) [FGA.2B.306.CYCD92Z](#) [FGA.XB.312.CLAD72](#)
[FGJ.1B.302.CYMD62](#)