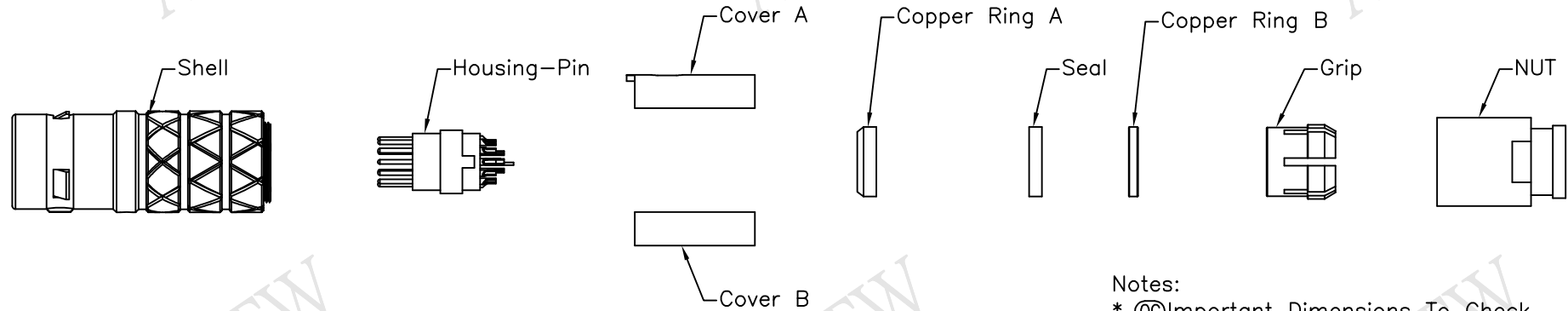
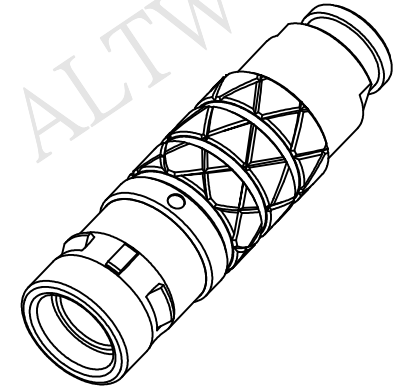
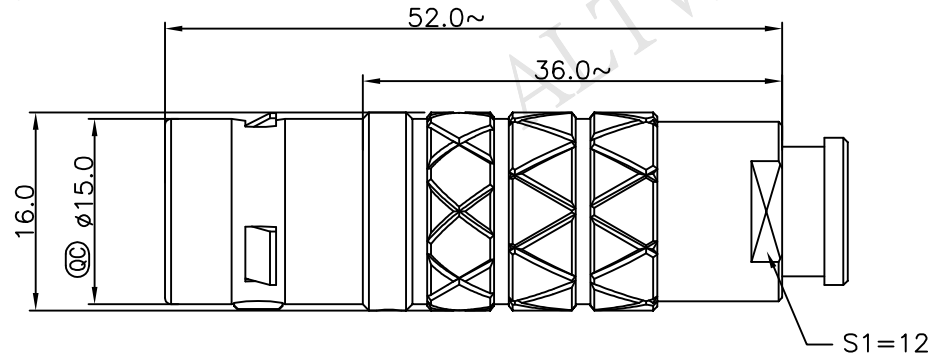


| REV. | DESCRIPTION |
|------|-------------|
| | |
| | |

THIS DOCUMENT IS SUBJECT TO CHANGE WITHOUT NOTICE. IT IS CONFIDENTIAL AND A PROPERTY OF Amphenol LTW. DISCLOSURE TO THIRD PARTY HAS TO BE AUTHORIZED BY Amphenol LTW.



- Notes:
- * ø Important Dimensions To Check.
 - * Waterproof Rate: IP68
(Mated, by Applying O-ring and Potting Material)
 - * Male Pin: Copper Alloy, Gold Plated.

| | |
|-----------|--|
| UNIT:mm | |
| TOLERANCE | |
| ±0.5MM | |

| | | |
|------------------------------|--------------|------------------------------|
| TITLE FLO 2K FI CONNECTOR | | |
| SCALE Free | SHEET 1 OF 2 | |
| REV. 01 | SIZE A4 | ø : Inspection Item |

Amphenol LTW
安費諾亮泰企業股份有限公司

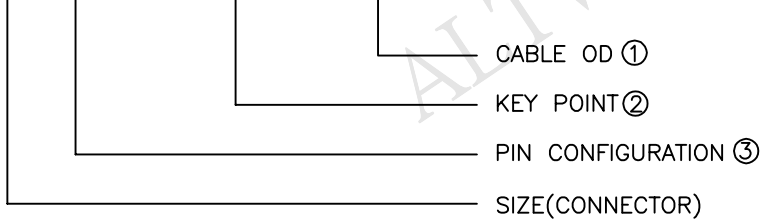
| | |
|--------------------------------|----------------------|
| ITEM NO FLKD-XXFGMS-XCP-2XX | DRAWN BY Ouyang |
| DWG NO FLKD-XXFGMS-XCP-2XX | CHECKED BY Mafei |
| CUSTOMER ALTW | APPROVED BY Jerry |

| |
|--------------------|
| DATE 2018/09/04 |
| DATE 2018/09/04 |
| DATE 2018/09/04 |

THIS DOCUMENT IS SUBJECT TO CHANGE WITHOUT NOTICE. IT IS CONFIDENTIAL AND A PROPERTY OF Amphenol LTW. DISCLOSURE TO THIRD PARTY HAS TO BE AUTHORIZED BY Amphenol LTW.

| | | | |
|----------------------------------|--------|-----------------|-----|
| 2K-SERIES CABLE COLLET(CABLE OD) | | | |
| CABLE CLAMP SET | | CABLE DIA RANGE | |
| TYPE | CODE ① | MAX | MIN |
| FLKD-XXFGMS-XCP-2XX | 15 | 6.7 | 6.5 |
| | 17 | 7.7 | 7.5 |
| | 18 | 8.7 | 8.5 |

FLKD-XXFGMS-XCP-2XX



| | | | | | |
|-----------|----|-----|-----|-----|-----|
| KEY POINT | | | | | |
| CODE ② | G | A | B | C | D |
| | 0° | 30° | 45° | 60° | 95° |
| GRAPHIC | | | | | |

| | | | | | | | |
|---|-------|--------|--------|--------|--------|--------|--------|
| PIN CONFIGURATION (Solder Definition) ③ | | | | | | | |
| GRAPHIC | | | | | | | |
| | 2 PIN | 3 PIN | 4 PIN | 5 PIN | 6 PIN | 7 PIN | |
| GRAPHIC | | | | | | | |
| | 8 PIN | 10 PIN | 12 PIN | 14 PIN | 16 PIN | 18 PIN | 19 PIN |

| | | | | | | | | | | | |
|-----------|--------|-------|---------------------|-------|--------------------|---------------|---------------------|-------------|--------|------|------------|
| UNIT:mm | | TITLE | FLO 2K FI CONNECTOR | | Amphenol LTW | ITEM NO | FLKD-XXFGMS-XCP-2XX | DRAWN BY | Ouyang | DATE | 2018/09/04 |
| TOLERANCE | ±0.5MM | SCALE | Free | SHEET | 2 OF 2 | DWG NO | FLKD-XXFGMS-XCP-2XX | CHECKED BY | Mafei | DATE | 2018/09/04 |
| | | REV. | 01 | SIZE | A4 | CUSTOMER | ALTW | APPROVED BY | Jerry | DATE | 2018/09/04 |
| | | | | | ◎ :Inspection Item | 安費諾亮泰企業股份有限公司 | | | | | |

X-ON Electronics

Largest Supplier of Electrical and Electronic Components

Click to view similar products for [Circular Push Pull Connectors](#) category:

Click to view products by [Amphenol](#) manufacturer:

Other Similar products are found below :

[6407-249V-11273P](#) [6408-201V-13273](#) [6408-202V-13343](#) [6408-202V-17343](#) [EZG.0B.309.CLN](#) [FFA.2S.310.ZLA](#) [FGA.1B.307.CYCD72Z](#)
[FGJ.1B.304.CLLD76](#) [FGJ.1B.306.CWLD72](#) [FGJ.2B.302.CYMD82Z](#) [FGJ.2B.310.CYMD72Z](#) [FGJ.3B.304.CYMD10Z](#)
[FGJ.3B.304.CYMD82Z](#) [FHJ.2B.310.CLLD72](#) [PCS.01.250.DLLE24](#) [PHG.0K.305.CYMC40Z](#) [PHG.1K.308.CLLK85](#) [PKG.M0.6BL.LZ](#)
[PLC.M1.0SL.LA](#) [GMA.10.290.DN](#) [GMA.3B.090.DA](#) [PRG.M0.6GL.LC52GZ](#) [PSA.1S.275.CTLC66](#) [ABF.1S.250.NTA](#) [133020F](#)
[1331ER193MZ](#) [1332M107MZ](#) [DTS26Z19-32JA-LC](#) [DTS26Z19-32SA](#) [DTS26Z19-32SA-LC](#) [DTS26Z23-55HA](#) [DTS26Z23-55HA-LC](#)
[DTS26Z23-55JA-LC](#) [EAJ.1B.306.CWA](#) [ECG.XB.312.CLL](#) [1589430-2](#) [EEA.0B.305.CLN](#) [EEA.0B.309.CLL](#) [ELF.00.250.NTL](#)
[ERA.01.250.DLL](#) [BRD.0B.200.PCSG](#) [BRR.2S.200.PZVG](#) [HR10A-P](#) [CAH.M34.SLL.C72GZ](#) [CAJ.M34.SLL.C72GZ](#) [300500](#)
[ESB.00.303.NLL](#) [EXG.0B.309.HLN](#) [FFB.1S.250.CLAC27](#) [FFG.1B.306.CLAZ](#)