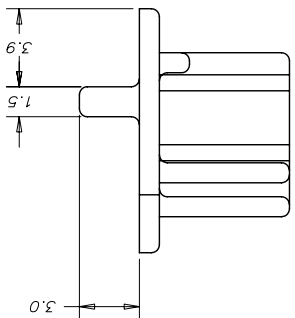
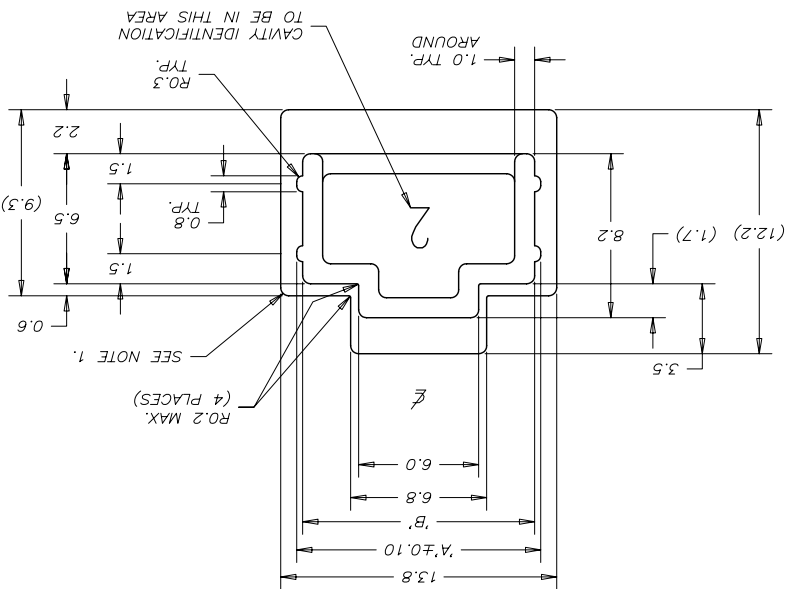
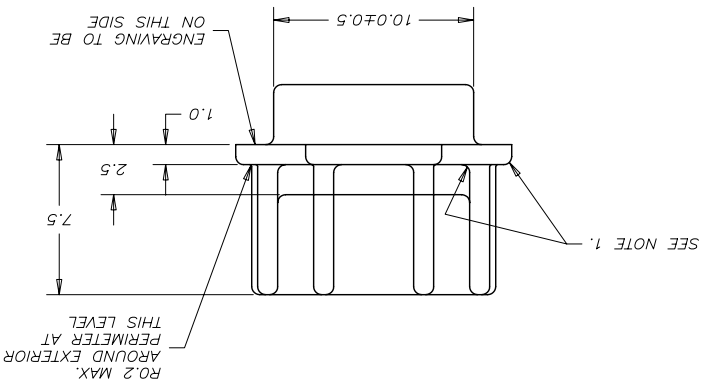


THIS DOCUMENT CONTAINS PROPRIETARY INFORMATION AND SUCH INFORMATION MAY NOT BE DISCLOSED TO OTHERS FOR ANY PURPOSE OR USED FOR MANUFACTURING PURPOSES WITHOUT WRITTEN PERMISSION FROM AMPHENOL CANADA CORP.

1. UNLESS SPECIFIED OTHERWISE, FILLETS AND EDGES TO BE SHARP TO 0.4R MAXIMUM.
2. PART TO BE FREE OF FLASH, GATE REMNANT, VOIDS AND DISCOLOURATION.
3. GENERAL TOLERANCE UNLESS INDICATED OTHERWISE: ±0.2.
4. MATERIAL TO HAVE A CONTINUOUS SERVICE USE TEMPERATURE OF -30°C TO +60°C.

NOTES:



MATERIAL ANTI-STATIC LOW DENSITY POLYETHYLENE  
 DRAWN Chigow 20-JAN-06  
 DESIGNED 20-JAN-06  
 CHECKED L.CHAN 20-JAN-06  
 (SEE NOTE 4)  
 COLOUR: SEE TABLE  
 FINISH -----

ENG. REL. NO.  
 DWG. APPRD.  
 Q. A. APPRD.  
 L. E. APPRD.

REF. DIMENSIONS ARE IN mm CODE ID. NO. 03554

SCALE 5/1 WT. SURF. SHEET 1 OF 1

REV. C

DWG. DRAWING NO. P-FRJ-2X11

TITLE RJ DUST CAPS

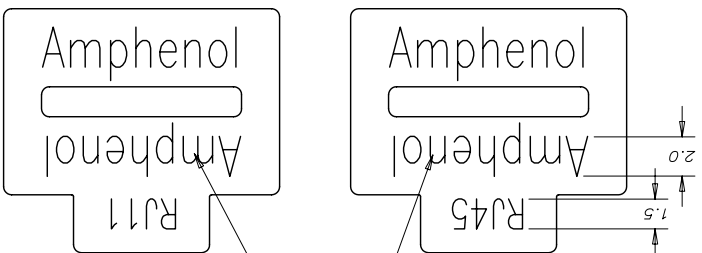
Amphenol Canada Corp.

TABLE:

PART NUMBER	FOR CONNECTOR TYPE	'A'±0.10	'B'	COLOUR
FRJ-2611	RJ11	10.17	9.6	NATURAL
FRJ-2A11	RJ45	12.20	11.6	BLACK
FRJ-2411	RJ45	12.20	11.6	GREY

ENGRAVING DETAILS

FRJ-2411 & FRJ-2A11 (ENGRAVING VIEW)  
 FRJ-2611 (ENGRAVING VIEW)



SYM	ZONE	ECN, ERN NO.	DATE	APPRD.
C		PROPOSAL	July 9, 08	L.CHAN
B		PROPOSAL	20-JAN-06	L.CHAN

REVISIONS

## X-ON Electronics

Largest Supplier of Electrical and Electronic Components

*Click to view similar products for [Modular Connectors](#) / [Ethernet Connectors](#) category:*

*Click to view products by [Amphenol](#) manufacturer:*

Other Similar products are found below :

[RJE231881317T](#) [MP1010RX-1000](#) [MP44RX-1000](#) [GAX-3-66](#) [GAX-8-62](#) [93606-0253](#) [GD-A-44](#) [GDCX-PA-66-50](#) [GDCX-PN-64](#) [GDCX-PN-66](#) [GDCX-PN-66-50](#) [GDLX-A-66](#) [GDLX-A-88](#) [GDLX-N-66](#) [GDLX-S-88K](#) [GDTX-S-88-50](#) [GDX-PA-1010](#) [GLX-N-1010M-BLK](#) [GLX-N-44M](#) [GLX-S-88M-BLK](#) [GMX-N-1010](#) [GMX-S-1010](#) [GMX-S-66](#) [GMX-SMT2-N-1010](#) [GMX-SMT2-N-64-50](#) [GMX-SMT2-S6-88](#) [GMX-SMT4-N-88](#) [GPX-2-64](#) [GRT1-BT1-5](#) [GSGX-N-2-88](#) [GSX-NS2-88-3.05](#) [GSX-NS2-88-3.05-50](#) [GSX-NS-88-3.05-30](#) [GSX-NS-88-3.05-50](#) [GSX-NS-88-3.68](#) [1-1775629-2](#) [GWLX-S-88-GR](#) [GWLX-S9-88-YG](#) [1300500326](#) [1300500227](#) [1300530003](#) [1300570002](#) [1324640-4](#) [RJ11FTVC2G](#) [RJ11FTVC2N](#) [RJFTVX2SA1G](#) [132764-001](#) [1400000](#) [1413176](#) [1413235](#)