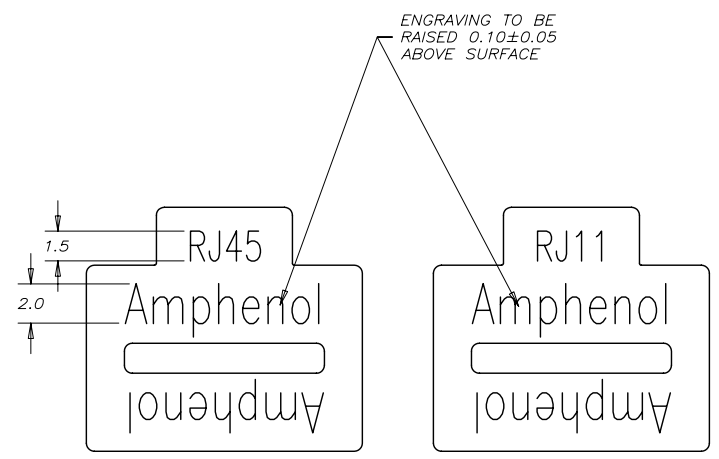
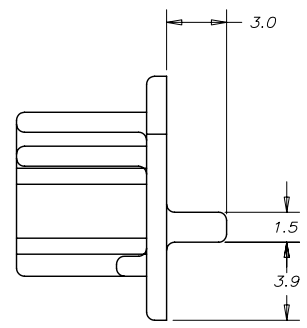
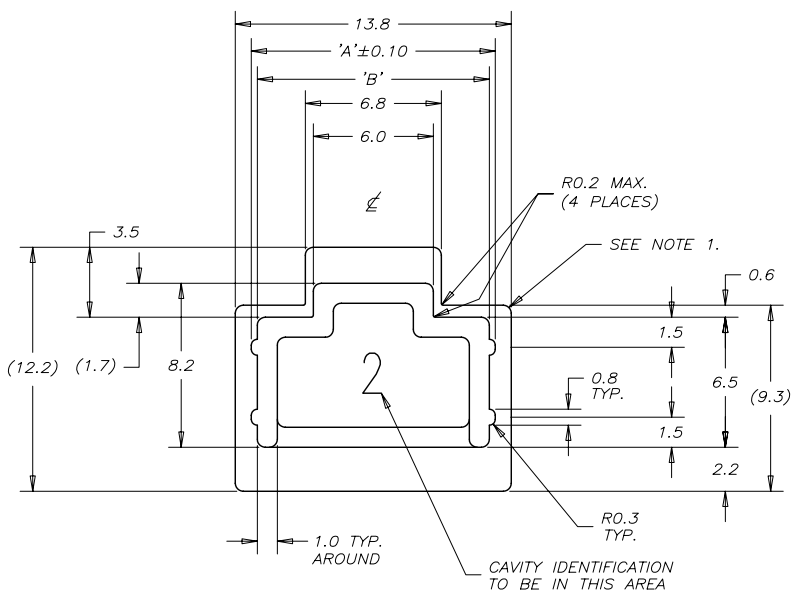


REVISIONS				
SYM	ZONE	ECN, ERN NO.	DATE	APPRD.
B		PROPOSAL	20-JAN-06	L.CHAN
C		PROPOSAL	July 9,08	L.CHAN



FRJ-2411  
& FRJ-2A11  
(ENGRAVING VIEW)

FRJ-2611  
(ENGRAVING VIEW)

ENGRAVING DETAILS

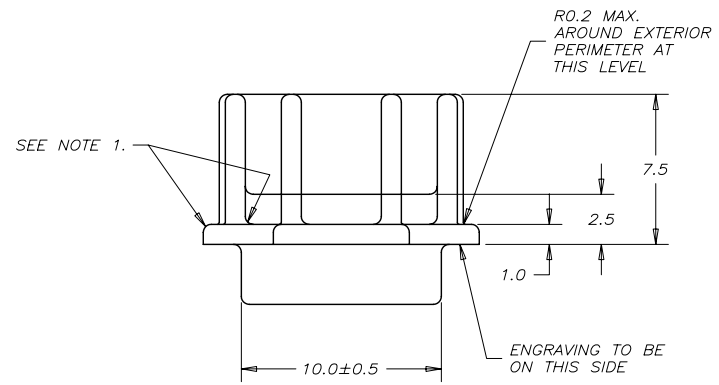


TABLE:

PART NUMBER	FOR CONNECTOR TYPE	'A'±0.10	'B'	COLOUR
FRJ-2411	RJ45	12.20	11.6	GREY
FRJ-2A11	RJ45	12.20	11.6	BLACK
FRJ-2611	RJ11	10.17	9.6	NATURAL

NOTES:

- UNLESS SPECIFIED OTHERWISE, FILLETS AND EDGES TO BE SHARP TO 0.4R MAXIMUM.
- PART TO BE FREE OF FLASH, GATE REMNANT, VOIDS AND DISCOLOURATION.
- GENERAL TOLERANCE UNLESS INDICATED OTHERWISE: ±0.2.
- MATERIAL TO HAVE A CONTINUOUS SERVICE USE TEMPERATURE OF -30°C TO +60°C.

THIS DOCUMENT CONTAINS PROPRIETARY INFORMATION AND SUCH INFORMATION MAY NOT BE DISCLOSED TO OTHERS FOR ANY PURPOSE OR USED FOR MANUFACTURING PURPOSES WITHOUT WRITTEN PERMISSION FROM AMPHENOL CANADA CORP.

MATERIAL ANTI-STATIC LOW DENSITY POLYETHYLENE (SEE NOTE 4.) COLOUR: SEE TABLE	DRAWN Chigow DESIGNED CHECKED L.CHAN I. E. APPRD. Q. A. APPRD.	DATE 20-JAN-06 20-JAN-06	Amphenol Canada Corp.	
FINISH -----	DWG. APPRD. ENG. REL. NO. REF.	DWG. C	TITLE RJ DUST CAPS	
	DIMENSIONS ARE IN mm CODE ID. NO. 03554	SCALE 5/1	DRAWING NO. P-FRJ-2X11	REV. C
		WT. -----	SURF. -----	SHEET 1 OF 1

## X-ON Electronics

Largest Supplier of Electrical and Electronic Components

*Click to view similar products for [Modular Connectors](#) / [Ethernet Connectors](#) category:*

*Click to view products by [Amphenol](#) manufacturer:*

Other Similar products are found below :

[8949-H88/06BLKA/SN](#) [74441-0010/BKN](#) [MP1010RX-1000](#) [MP44RX-1000](#) [PHJ-4P4C-1-V-4](#) [PHP-6P6C-5](#) [GAX-3-66](#) [GAX-8-62](#) [GDCX-PA-66-50](#) [GDCX-PN-64](#) [GDCX-PN-66](#) [GDCX-PN-66-50](#) [GDLX-A-66](#) [GDLX-N-66](#) [GDLX-S-66](#) [GDLX-S-88K](#) [GDTX-S-88-50](#) [GDX-PA-1010](#) [GLX-N-1010M-BLK](#) [GLX-S-88M-BLK](#) [GMX-N-1010](#) [GMX-S-1010](#) [GMX-S-66](#) [GMX-SMT4-N-88](#) [GPX-2-64](#) [GSGX-N-2-88](#) [GSGX-N-4-88](#) [GSX-NS2-88-3.05-50](#) [PT-108A-8C-UL](#) [PT-J951-8C](#) [PTS-J531-8CS-50UL](#) [1-1775629-2](#) [A-2014-0-4](#) [GWLX-S-88-GR](#) [GWLX-S9-88-YG](#) [DC-1021-8-WH-6](#) [1300530003](#) [1324640-4](#) [RJ11FTVC2G](#) [RJ11FTVC2N](#) [RJFTVX2SA1G](#) [132764-001](#) [1413235](#) [MP88X-1000](#) [MPS88RX-5000](#) [MRJR-5481-0F2](#) [E5288-S000K3-L](#) [E5908-15A242-L](#) [155302-001](#) [AX100653](#)