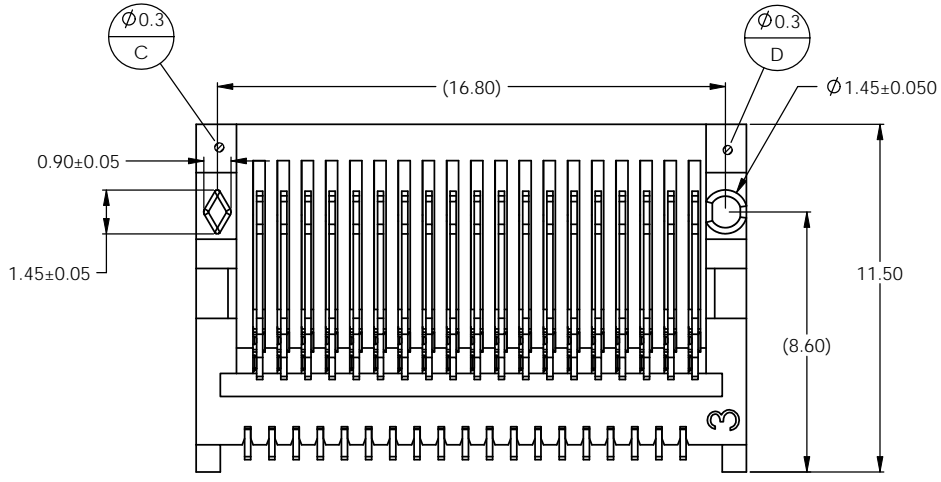
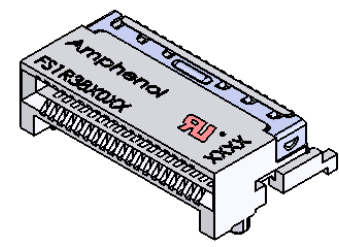
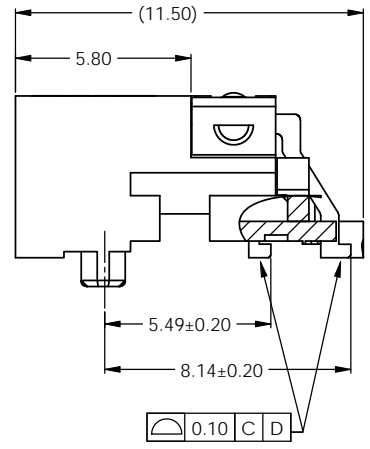
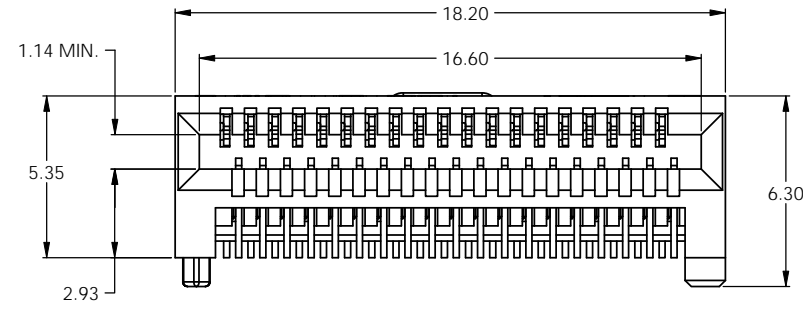
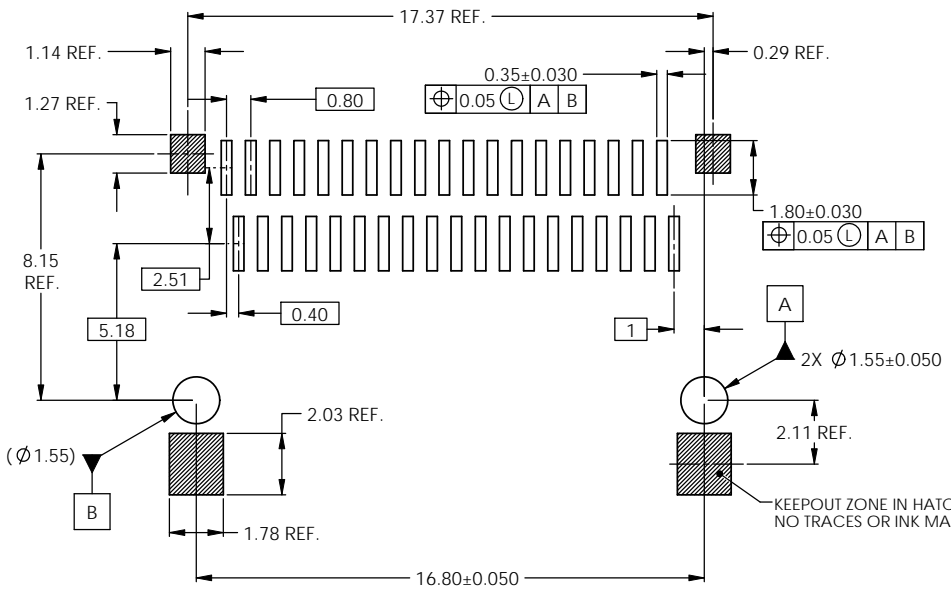


REVISIONS				
REV	ECN	DESCRIPTION	DATE	APPROVED
B		SPEC NUMBER ADDED	FEB 9/2010	ZLJ



PART NUMBER	NOISE CANCELLATION FEATURE	PACKAGING	CONTACT PLATING
FS1-R38-20A2-10	YES	TAPE AND REEL	30μ" GOLD OVER 50μ" NICKEL IN CONTACT AREAS 100μ" MATTE TIN OVER 50μ" NICKEL IN SOLDER AREAS
FS1-R38-20A2-00	NO		
FS1-R38-30A2-10	YES		15μ" GOLD OVER 50μ" NICKEL IN CONTACT AREAS 100μ" MATTE TIN OVER 50μ" NICKEL IN SOLDER AREAS
FS1-R38-30A2-00	NO		



- NOTES:
- 1) MATERIAL:  
HOUSING: SOLDER REFLOW PROCESS COMPATIBLE LCP, UL94V-0  
CONTACTS: PHOSPHOR BRONZE
  - 2) ROHS COMPLIANT
  - 3) PERFORMANCE:  
ELECTRICAL: 0.5 AMPS MAX. PER CONTACT  
MECHANICAL: 250 MATING CYCLES MINIMUM
  - 4) COMPLIES WITH SFF-8436 SPECIFICATION



UNLESS OTHERWISE SPECIFIED DIMENSIONS ARE IN MILLIMETERS		APPROVALS		DATE		Amphenol Canada Corp.	
DRAWN	ZLJ	DESIGNED	ZLJ	FEB 5/2010	FILE	EXPRESS PORT, QSFP+ 38 POSITION CONNECTOR	
CHECKED		CHECKED		FEB 5/2010			
MATERIAL AND FINISH		DRAWN					
ENG. REL. NO.	EAR 12923	E. APP'D			C	DWG. NO.	P-FS1-R38-X0A2-10
CODE IDENT. NO.	03554	DWG. APP'D			SCALE	NTS	PROJECT
						FS1	REV. B
							SHEET 1 OF 1

DO NOT SCALE DRAWING

THIS DOCUMENT CONTAINS PROPRIETARY INFORMATION AND SUCH INFORMATION MAY NOT BE DISCLOSED TO OTHERS FOR ANY PURPOSE OR USED FOR MANUFACTURING PURPOSES WITHOUT PERMISSION FROM AMPHENOL CANADA CORP.

RECOMMENDED PCB LAYOUT

## X-ON Electronics

Largest Supplier of Electrical and Electronic Components

*Click to view similar products for [I/O Connectors](#) category:*

*Click to view products by [Amphenol](#) manufacturer:*

Other Similar products are found below :

[571763P](#) [58098-0628](#) [72.250.1628.2](#) [72.250.2428.2](#) [74720-0505](#) [76.350.0729.0](#) [76871-1403](#) [FCN-244F080-G/1](#) [FCN-260A9920](#) [MP-5T180MUNNA-005](#) [PCR-E36PM](#) [PCS-XE26MA+](#) [G38A71314B](#) [1571250010](#) [157-22500-3](#) [MS3471L14-19P L/C](#) [192991-0703](#) [172501-4002](#) [172501-6002](#) [FCN-260C008-A/L0](#) [FCN-260C024-AL0](#) [FCN-261Z008](#) [2000314-1](#) [200331-1](#) [PCR-E36FC+](#) [PCS-E28FS+](#) [PCS-XE26SLFD+](#) [PCS-XE26SLFDT+](#) [G730VID08BDC24](#) [HDR-E14MSG1+](#) [U90B2054081210](#) [UE86K842720321](#) [38113800006](#)  
[DP3AR020WQ1R200](#) [Z4.102.0680.0](#) [500-1040](#) [500-1052](#) [500-1054](#) [ZP-4008-66L](#) [0709821002](#) [DX40-20P\(55\)](#) [5554841-1](#) [MS3474W18-8P-LC\\*](#) [SM3106F14S-7S-LC](#) [U90B3054061110](#) [U65-E04-4020](#) [ZPF000000000097891](#) [557-262M2-06C](#) [747360449](#) [10099439-003C-TRLF](#)