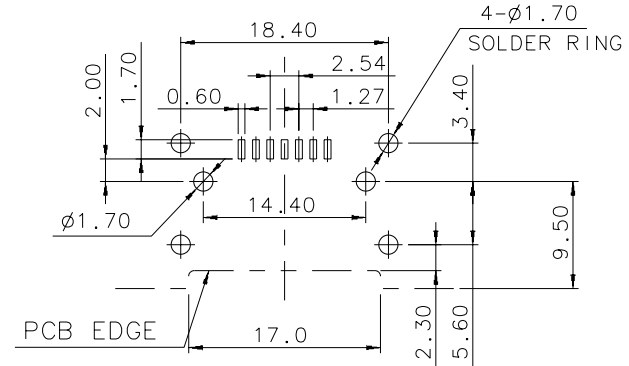
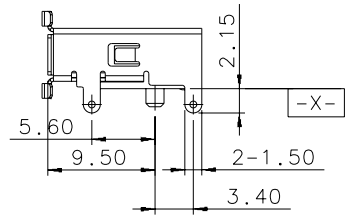
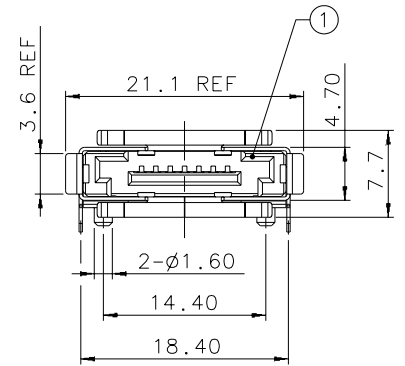
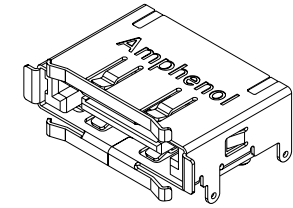
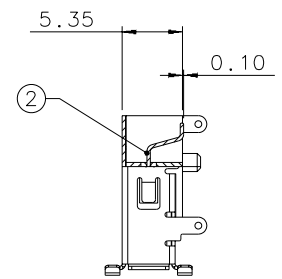
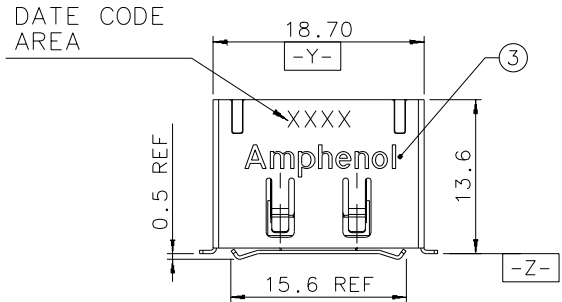


CUSTOMER DRAWING

REVISIONS				
SYM	ECN No.	DESCRIPTION	DATE	APPROVED
AX1		PRELIMINARY RELEASE	06/28/2004	
AX2		MODIFY MISTAKE DIM.	09/08/2004	
AX3		REVISE P/N TO G091121301LF	09/22/2004	

This document is the property of Amphenol Corporation and is delivered on the express condition that it is not to be disclosed, reproduced or used, in whole or in part, for manufacture or sale by anyone other than Amphenol Corporation without its prior consent, and that no right is granted to disclose or to use any information in this document.

* THIS PRODUCT DIDN'T HAVE ENVIRONMENT- RELATED SUBSTANCES PER MATERIALS SPECIFICATION #MS-S001, LEVEL 1. WHEN THE TIME SET SCHEDULE OF LEVEL 2 IS EXPIRY, THE SUBSTANCES SHALL NOT BE CONTAINED WITH THIS PRODUCT.



RECOMMEND PCB LAYOUT
 X.X ± 0.05
 X.XX ± 0.10

ITEM	DESCRIPTION	Q'TY	MATERIAL	FINISH
3	SHELL	1	COPPER ALLOY	NICKEL UNDERPLATING TIN PLATING ON SOLDER AREA
2	CONTACT	7	COPPER ALLOY	NICKEL UNDERPLATING TIN PLATING ON SOLDER AREA GOLD PLATING ON CONTACT AREA
1	INSULATOR	1	THERMAL PLASTIC	COLOR:BLACK UL94V-0

- NOTES:
- Spec. follow S-ATA2 GENERAL SPECIFICATION.
 - Lead Free
 - TAIL COPLANARITY TO BE 0.1MM MAX.
 - DATE CODE: XXXX
- YEAR DAY
 WEEK
- THIS PRODUCT DOESN'T CONTAIN ENVIROMENTAL HAZARDOUS MATERIALS PER MATERIAL SPECIFICATION #MS-S001.

TOLERANCE m/m	APPROVALS	DATE	TITLE	<h2 style="margin: 0;">Amphenol®</h2> <p style="margin: 0;">Amphenol Corporation Amphenol Taiwan Corporation</p>	
x.	DRAWN VIC LIN	09/22/04	T371		
x.x ± 0.38	DESIGNED VIC LIN	09/22/04	PLUG, BOARD MOUNT		
x.xx ± 0.25	CHECKED		NORMAL, SMT		
x.xxx ± 0.13	APPROVED				
ANGULAR $\pm 1^\circ$					
UNLESS OTHERWISE SPECIFIED		UNIT MM	SIZE A4	PART NO. G091121301LF	DRAWING NO. T371-G091121301LF
					REVISIONS AX3

SCALE N/A SHEET 1 OF 1

X-ON Electronics

Largest Supplier of Electrical and Electronic Components

Click to view similar products for [I/O Connectors](#) category:

Click to view products by [Amphenol](#) manufacturer:

Other Similar products are found below :

[571763P](#) [58098-0628](#) [61-168618-12P](#) [D38999/20FJ24PA L/C](#) [D38999/20FJ29SB L/C](#) [D38999/24FG11SN L/C](#) [72.250.1628.2](#) [72.250.2428.2](#)
[74720-0505](#) [76.350.0729.0](#) [76871-1403](#) [FCN-244F080-G/1](#) [FCN-260A9920](#) [FCN-268D024-G/2F#10X-R10](#) [PCS-E50FA](#) [PCS-XE26LKA](#)
[PCS-XE26MA+](#) [PCS-XES68MS+](#) [G38A71314B](#) [91-569719-35R](#) [9776-18-6](#) [DX40-50P\(55\)](#) [1571250010](#) [157-22500-3](#) [MS3476W12-10S](#)
[L/C](#) [1888020-8](#) [91-569786-35H](#) [91-569786-35M](#) [91-644626-35P](#) [172501-4002](#) [172501-6002](#) [FCN-260C008-A/L0](#) [FCN-260C024-AL0](#)
[FCN-261Z008](#) [FCN-268D008-G/1K](#) [2000314-1](#) [200331-1](#) [2007498-2](#) [PCR-E28LMDAG1+](#) [PCR-E36FC+](#) [PCS-E28FS+](#) [PCS-XE26SLFD+](#)
[PCS-XE26SLFDT+](#) [G38A71214B](#) [HDRA-E68W1LFDTC-SL+](#) [HDR-E14MSG1+](#) [R88A-CNK81S](#) [CRT1-ATT02](#) [54182-0605](#)
[U90B2054081210](#)