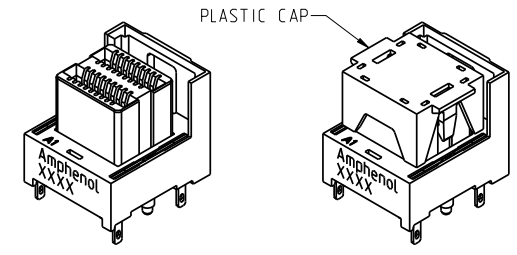
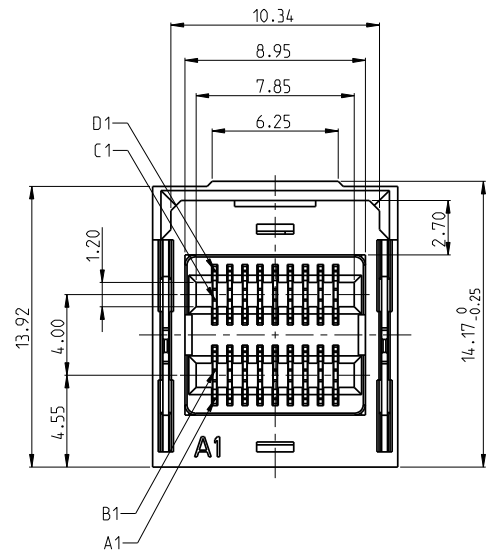


This document is the property of Amphenol Corporation and is delivered on the express condition that is not to be disclosed, reproduced or used, in whole or in part, for manufacture or sale by anyone other than Amphenol Corporation without its prior consent, and that no right is granted to disclose or to use any information in this document.

The marking on this product doesn't contain environmental hazardous materials per Material Specification SS-00259 for Sony GP compliant or per directive 2011/65/EU for RoHS compliant.

ORIGINAL

REVISIONS				
SYM	ECN No.	DESCRIPTION	DATE	BY
A	NA	RELEASE	04/03/2013	HANK HSU
B	NE-13132	Improved bracket anti-reverse plug function	08/12/2013	HANK HSU
C	NE-13205	HOUSING LATCH POINT RECOVERY	12/17/2013	HANK HSU
D	NE-14147	ADDED NARROW TRAY OPTION IN PACKING CODE	08/05/2014	HANK HSU



PART NUMBER SYSTEM

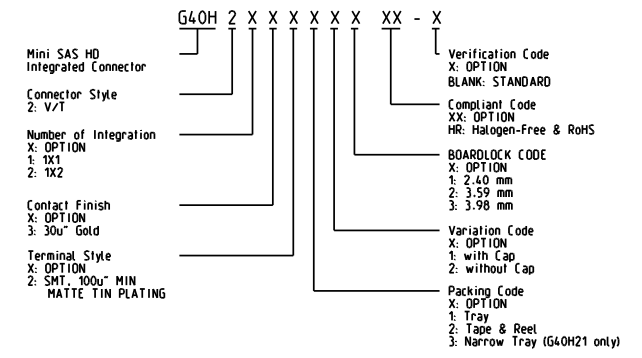
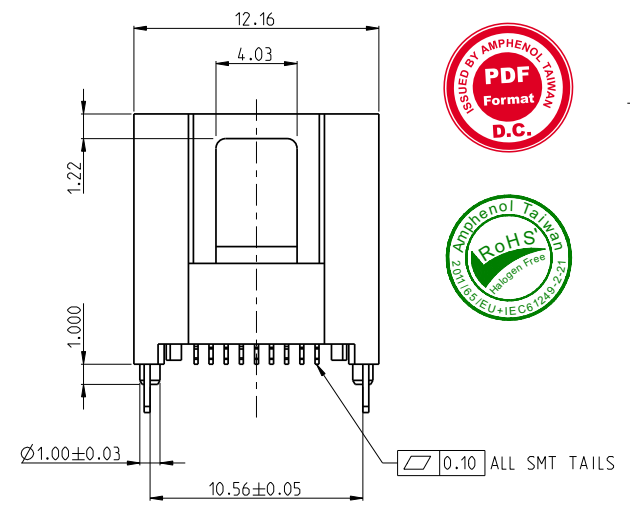
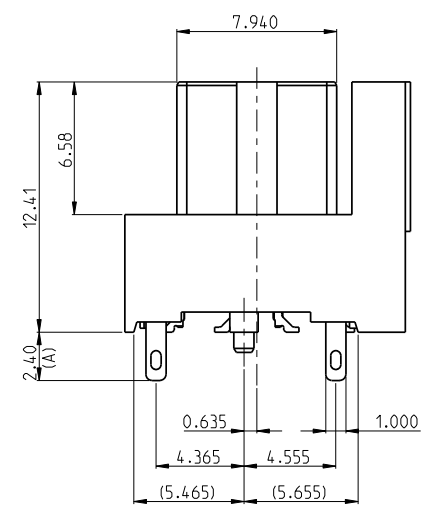
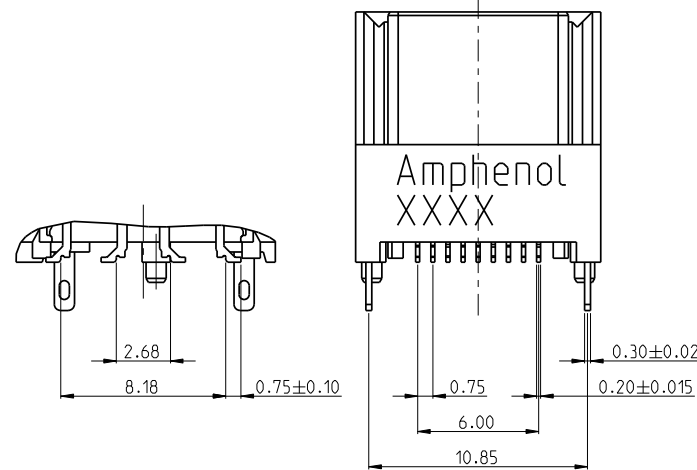


TABLE 1

DIM A	APPLICABLE PCB THK
2.40	1.57~1.60
3.59	2.36~2.79
3.98	3.18



- NOTES:
- INSULATOR: HIGH TEMPERATURE THERMOPLASTIC UL94V-0. COLOR: BLACK
 - TERMINAL: COPPER ALLOY
CONTACT AREA: OPTION
TAIL AREA: OPTION
UNDER PLATING: NICKEL 100u" MIN.
 - THIS PRODUCT DOESN'T CONTAIN ENVIRONMENTAL HAZARDOUS PER DIRECTIVE 2011/65/EUC FOR RoHS AND PER IEC 61249-2-21 FOR HALOGEN-FREE COMPLIANT.

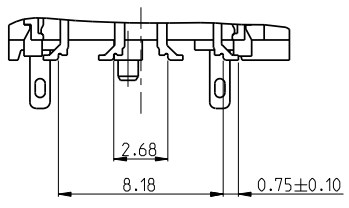
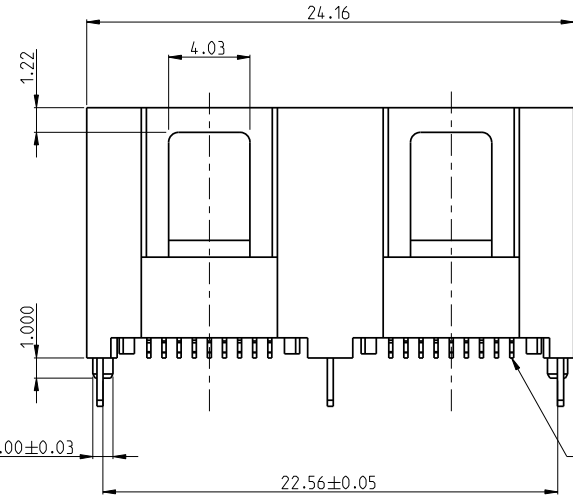
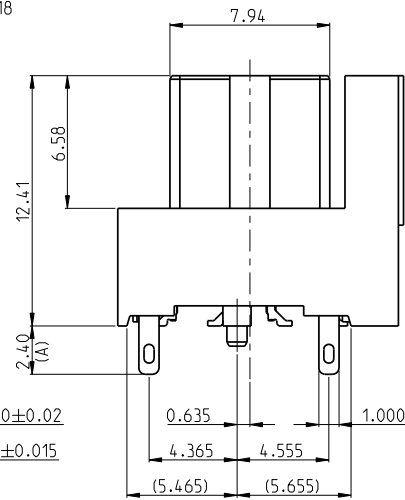
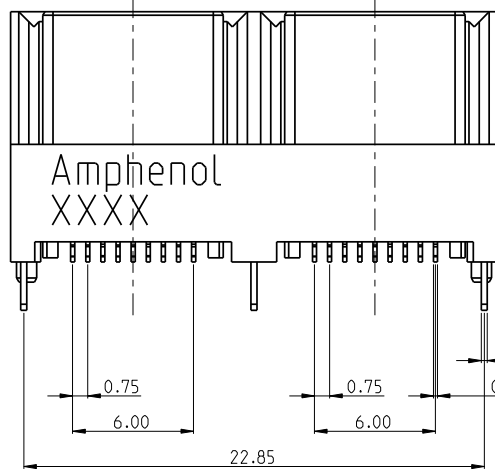
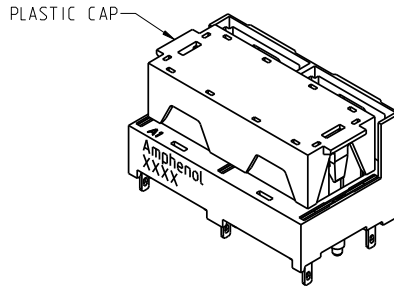
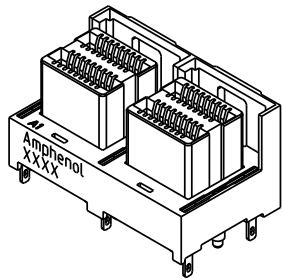
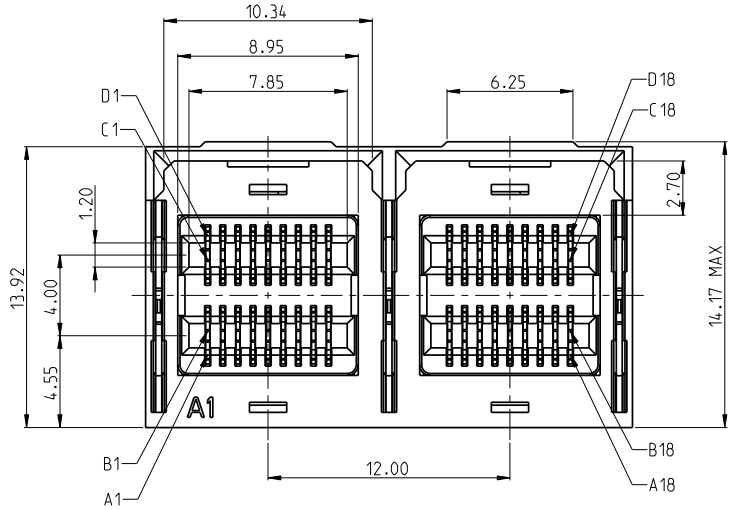
TOLERANCE	DRAWN	APPROVALS	DATE	TITLE	Amphenol® Amphenol Corporation Amphenol Taiwan Corporation			
X.	DESIGNED	Hank Hsu	08/05/2014	MINI SAS HD INTEGRATED CONNECTOR 0.75 PITCH, V/T, SMT TYPE	PART No. G40H2XXXXXXHR			
X.X ±0.30	CHECKED	Sondra Sang	08/05/2014		DWG No. G40H2XXXXXXHR			
X.XX ±0.20	APPROVED	Hank Hsu	08/05/2014		UNIT	mm	SIZE	A3
X.XXX ±0.10	DWG TYPE	CUST DWG	PROJECT CODE	1515	SCALE	NA	SHEET	1 OF 3
ANGULAR ±2°	UNLESS OTHERWISE SPECIFIED							REV. D

ORIGINAL

REVISIONS				
SYM	ECN No.	DESCRIPTION	DATE	BY
A	NA	RELEASE	04/03/2013	HANK HSU
B	NE-13132	Improved bracket anti-reverse plug function	08/12/2013	HANK HSU
C	NE-13205	HOUSING LATCH POINT RECOVERY	12/17/2013	HANK HSU
D	NE-14147	ADDED NARROW TRAY OPTION IN PACKING CODE	08/05/2014	HANK HSU

This document is the property of Amphenol Corporation and is delivered on the express condition that is not to be disclosed, reproduced or used, in whole or in part, for manufacture or sale by anyone other than Amphenol Corporation without its prior consent, and that no right is granted to disclose or to use any information in this document.

The marking on this product doesn't contain environmental hazardous materials per Material Specification SS-00259 for Sony GP compliant or per directive 2011/65/EU for RoHS compliant.



TOLERANCE X. ±0.30 X.X ±0.20 X.XX ±0.10 ANGULAR ±2° UNLESS OTHERWISE SPECIFIED	DESIGNED	Hank Hsu	DATE	08/05/2014	TITLE MINI SAS HD INTEGRATED CONNECTOR 0.75 PITCH, V/T, SMT TYPE	UNIT mm	SIZE A3	PART No. G40H2XXXXXXHR
	CHECKED	Sondra Sang	DATE	08/05/2014				
	APPROVED	Hank Hsu	DATE	08/05/2014	PROJECT CODE 1515	SCALE NA	SHEET 2 OF 3	DWG No. G40H2XXXXXXHR
	DWG TYPE	CUST DWG	REV.	D				

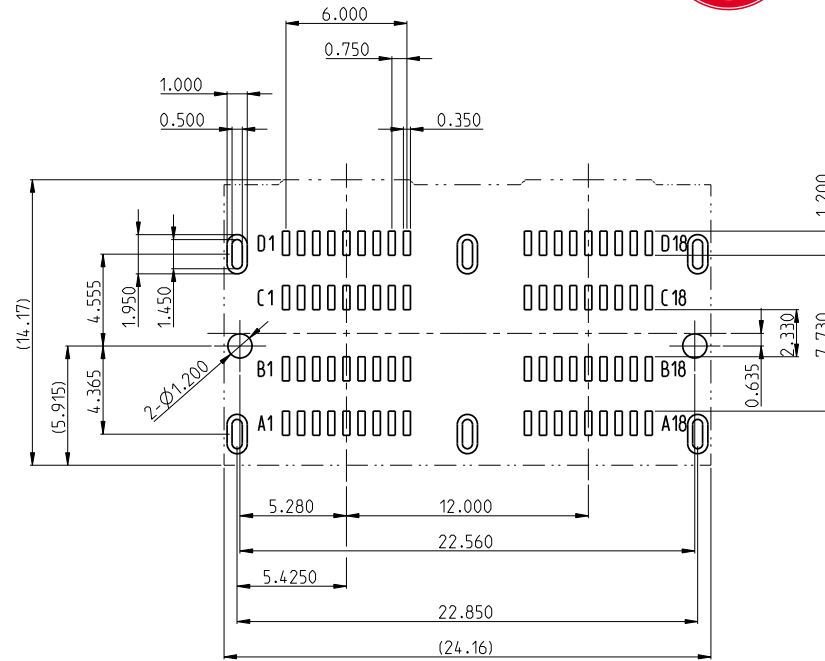
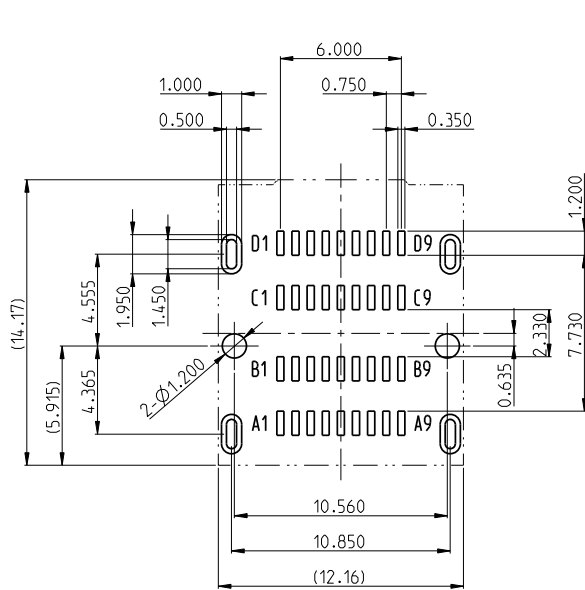
Amphenol®
Amphenol Corporation
Amphenol Taiwan Corporation

ORIGINAL

REVISIONS				
SYM	ECN No.	DESCRIPTION	DATE	BY
A	NA	RELEASE	04/03/2013	HANK HSU
B	NE-13132	Improved bracket anti-reverse plug function	08/12/2013	HANK HSU
C	NE-13205	HOUSING LATCH POINT RECOVERY	12/17/2013	HANK HSU
D	NE-14147	ADDED NARROW TRAY OPTION IN PACKING CODE	08/05/2014	HANK HSU

This document is the property of Amphenol Corporation and is delivered on the express condition that is not to be disclosed, reproduced or used, in whole or in part, for manufacture or sale by anyone other than Amphenol Corporation without its prior consent, and that no right is granted to disclose or to use any information in this document.

The marking on this product doesn't contain environmental hazardous materials per Material Specification SS-00259 for Sony GP compliant or per directive 2011/65/EU for RoHS compliant.



NOTES:

1. RECOMMENDED PCB HOLE Ø1.20 IS NPTH FOR ORIENTATION POST.
2. RECOMMENDED PCB ELLIPTICAL HOLE 0.5X1.45 IS PTH FOR BOARD-LOCK.
3. MINIMUM PCB THICKNESS: 1.57MM
4. PIN ASSIGNMENTS PLEASE REFER TO SERIAL ATTACHED SCSI-3 (SAS-3) STANDARD.

TOLERANCE	DRAWN	APPROVALS	DATE	TITLE	Amphenol® Amphenol Corporation Amphenol Taiwan Corporation			
X.	DESIGNED	Hank Hsu	08/05/2014	MINI SAS HD INTEGRATED CONNECTOR 0.75 PITCH, V/T, SMT TYPE	UNIT		SIZE	PART No.
X.X ±0.30	CHECKED	Sondra Sang	08/05/2014		mm	A3	G40H2XXXXXHR	
X.XX ±0.20	APPROVED	Hank Hsu	08/05/2014		SCALE	SHEET	DWG No.	
X.XXX ±0.10	UNLESS OTHERW ISE SPECIFIED	CUST DWG	PROJECT CODE 1515	NA	3 OF 3	G40H2XXXXXHR	REV. D	

X-ON Electronics

Largest Supplier of Electrical and Electronic Components

Click to view similar products for [I/O Connectors](#) category:

Click to view products by [Amphenol](#) manufacturer:

Other Similar products are found below :

[571763P](#) [58098-0628](#) [72.250.1628.2](#) [72.250.2428.2](#) [74720-0505](#) [76.350.0729.0](#) [76871-1403](#) [FCN-244F080-G/1](#) [FCN-260A9920](#) [PCR-E36PM](#) [PCS-XE26MA+](#) [G38A71314B](#) [1571250010](#) [157-22500-3](#) [MS3471L14-19P L/C](#) [192991-0703](#) [172501-4002](#) [172501-6002](#) [FCN-260C008-A/L0](#) [FCN-260C024-AL0](#) [FCN-261Z008](#) [2000314-1](#) [200331-1](#) [PCR-E36FC+](#) [PCS-E28FS+](#) [PCS-XE26SLFD+](#) [PCS-XE26SLFDT+](#) [G730VID08BDC24](#) [HDR-E14MSG1+](#) [U90B2054081210](#) [UE86K842720321](#) [38113800006](#) [DP3AR020WQ1R200](#) [Z4.102.0680.0](#) [500-1040](#) [500-1052](#) [500-1054](#) [ZP-4008-66L](#) [0709821002](#) [DX40-20P\(55\)](#) [5554841-1](#) [MS3474W18-8P-LC*](#) [SM3106F14S-7S-LC](#) [U90B3054061110](#) [U65-E04-4020](#) [ZPF000000000097891](#) [557-262M2-06C](#) [747360449](#) [10099439-003C-TRLF](#) [10137239-0021LF](#)