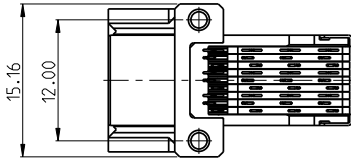


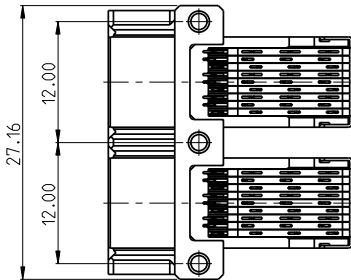
This document is the property of Amphenol Corporation and is delivered on the express condition that it is not to be disclosed, reproduced or used, in whole or in part, for manufacture or sale by anyone other than Amphenol Corporation without its prior consent, and that no right is granted to disclose or to use any information in this document.

The marking on this product doesn't contain environmental hazardous materials per Material Specification SS-00259 for Sony GP compliant or per directive 2011/65/EU for RoHS compliant or per IEC 61249-2-21 for Halogen-Free compliant.

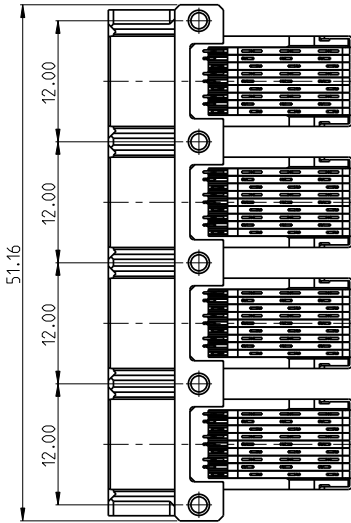
REVISIONS				
SYM	ECN No.	DESCRIPTION	DATE	BY
A	NE-16051	RELEASE TO PRODUCTION	03/02/2016	JOAN LU
B	NE-17047	1.UPDATED FINISHED HOLE SIZE FROM 0.73 TO 0.72 2.UPDATED SCREW LENGTH IN NOTE	03/14/2017	JOAN LU



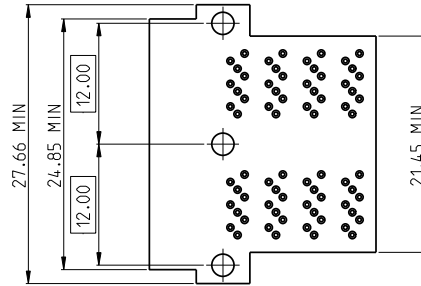
1x1 INTEGRATED CONNECTOR



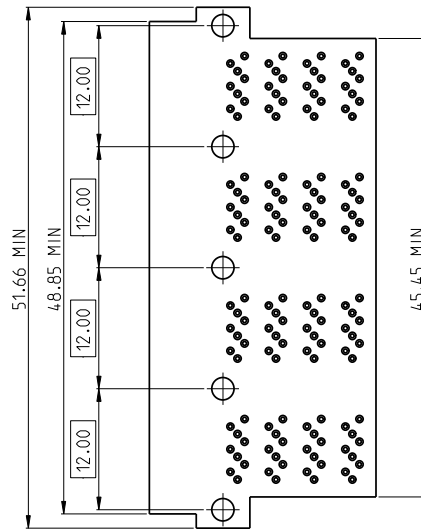
1x2 INTEGRATED CONNECTOR



1x4 INTEGRATED CONNECTOR



1x2 RIGHT ANGLE INTEGRATED HD CONNECTOR FOOTPRINT

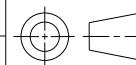


1x4 RIGHT ANGLE INTEGRATED HD CONNECTOR FOOTPRINT

NOTES:

1. RECOMMENDED DRILL SIZE FOR $\varnothing 0.37$ FINISHED PTH IS $\varnothing 0.457$ (#77 DRILL)
2. RECOMMENDED ANNULAR RING AROUND $\varnothing 0.37$ FINISHED PTH IS $\varnothing 0.72$
3. MINIMUM PCB THICKNESS: 1.57MM

TOLERANCE	DRAWN	APPROVALS	DATE	TITLE		PART No.	
X.				MINI SAS HD INTEGRATED CONNECTOR 0.75 PITCH, R/A, PRESS FIT TYPE, 85Ω		Amphenol® Amphenol Corporation Amphenol Taiwan Corporation	
X.X ±0.30	DESIGNED						
X.XX ±0.20	CHECKED						
X.XXX ±0.10	APPROVED			UNIT	mm	SIZE	A3
ANGULAR ±2°	DWG TYPE	CUST DWG	PROJECT CODE	1541	SCALE	NA	SHEET 2 OF 2
UNLESS OTHERWISE SPECIFIED						DWG No.	REV. B



X-ON Electronics

Largest Supplier of Electrical and Electronic Components

Click to view similar products for [I/O Connectors](#) category:

Click to view products by [Amphenol](#) manufacturer:

Other Similar products are found below :

[571763P](#) [58098-0628](#) [61-168618-12P](#) [D38999/20FJ29SB L/C](#) [72.250.1628.2](#) [72.250.2428.2](#) [74720-0505](#) [747680210](#) [76.350.0729.0](#) [76871-1403](#) [FCN-244F080-G/1](#) [FCN-260A9920](#) [FCN-268D024-G/2F#10X-R10](#) [MP-5T180MUNNA-005](#) [MP-5XRJ45UNNB-003](#) [PCS-E50FA](#) [PCS-XE26LKA](#) [PCS-XE26MA+](#) [PCS-XES68MS+](#) [G38A71314B](#) [91-569719-35R](#) [9776-18-6](#) [DX40-50P\(55\)](#) [1571250010](#) [157-22500-3](#) [MS3471L14-19P L/C](#) [171224-6031](#) [1888020-8](#) [91-569786-35H](#) [91-569786-35M](#) [91-644626-35P](#) [172501-4002](#) [172501-6002](#) [FCN-260C008-A/L0](#) [FCN-260C024-AL0](#) [FCN-261Z008](#) [FCN-268D008-G/1K](#) [2000314-1](#) [200331-1](#) [2007498-2](#) [PCR-E28LMDAG1+](#) [PCR-E36FC+](#) [PCS-E28FS+](#) [PCS-XE26SLFD+](#) [PCS-XE26SLFDT+](#) [G38A71214B](#) [HDRA-E68W1LFDTC-SL+](#) [HDR-E14MSG1+](#) [R88A-CNK81S](#) [CRT1-ATT02](#)