

This document is the property of Amphenol Corporation and is delivered on the express condition that it is not to be disclosed, reproduced or used, in whole or in part, for manufacture or sale by anyone other than Amphenol Corporation without its prior consent, and that no right is granted to disclose or to use any information in this document.

The marking on this product doesn't contain environmental hazardous materials per Material Specification SS-00259 for Sony GP compliant or per directive 2011/65/EU for RoHS compliant.

ORIGINAL

REVISIONS				
SYM	ECN No.	DESCRIPTION	DATE	BY
A	NE-14070	NEW RELEASE	04/28/2014	HANK HSU

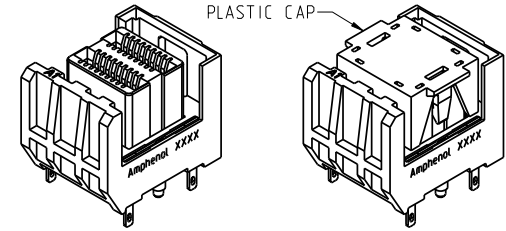
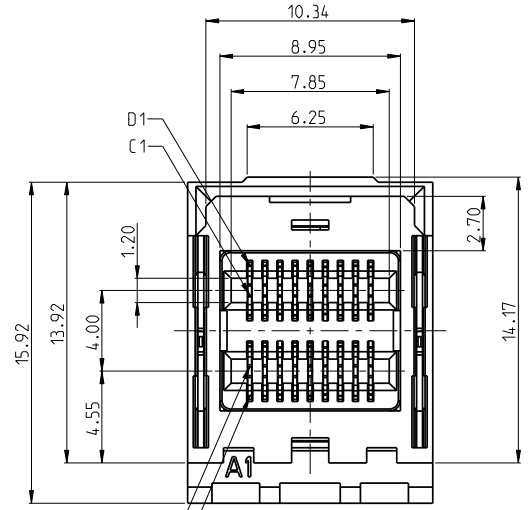


TABLE 1

DIM A	APPLICABLE PCB THK
2.40	1.57~1.60
3.59	2.36~2.79
3.98	3.18

PART NUMBER SYSTEM

G40H C X X X X X XX - X

Mini SAS HD Integrated Connector

Connector Style  
C: V/T, w/anti-reverse wall  
85 Ohm

Number of Integration  
X: OPTION  
1: 1X1  
2: 1X2

Contact Finish  
X: OPTION  
3: 50u" Gold

Terminal Style  
X: OPTION  
2: SMT, 100u" MIN MATTE TIN PLATING

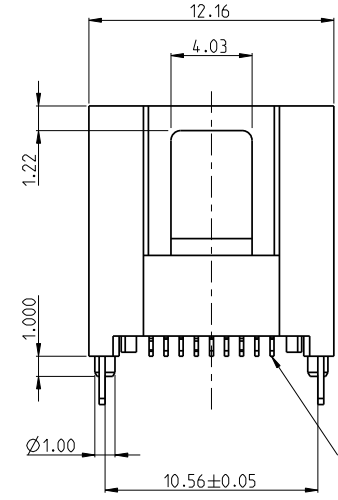
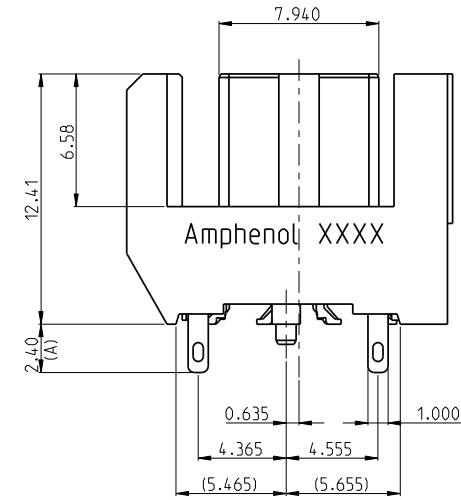
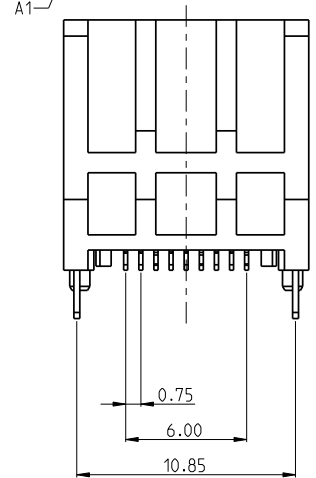
Verification Code  
X: OPTION  
BLANK: STANDARD

Compliant Code  
XX: OPTION  
HR: Halogen-Free & RoHS

BOARDLOCK CODE  
X: OPTION  
1: 2.40 mm  
2: 3.59 mm  
3: 3.98 mm

Variation Code  
X: OPTION  
1: with Cap  
2: without Cap

Packing Code  
X: OPTION  
1: Tray  
2: Tape & Reel  
3: Narrow Tray



- NOTES:
- INSULATOR: HIGH TEMPERATURE THERMOPLASTIC UL94V-0. COLOR: NC(BRACKET), BK(HOUSING)
  - TERMINAL: COPPER ALLOY  
CONTACT AREA: OPTION  
TAIL AREA: OPTION  
UNDER PLATING: NICKEL 100u" MIN.
  - THIS PRODUCT DOESN'T CONTAIN ENVIRONMENTAL HAZARDOUS PER DIRECTIVE 2011/65/EU FOR RoHS AND PER IEC 61249-2-21 FOR HALOGEN-FREE COMPLIANT.

TOLERANCE	DRAWN	APPROVALS	DATE	TITLE	UNIT	SIZE	PART No.
X. X.X ±0.30 X.XX ±0.20 X.XXX ±0.10	DESIGNED	Hank Hsu	04/28/2014	MINI SAS HD INTEGRATED CONNECTOR 0.75 PITCH, V/T, SMT TYPE	mm	A3	G40HCXXXXXXHR
	CHECKED	Sondra Sang	04/28/2014				
ANGULAR ±2°	APPROVED	Hank Hsu	04/28/2014				
UNLESS OTHERWISE SPECIFIED	DWG TYPE	CUST DWG	PROJECT CODE 1515		SCALE NA	SHEET 1 OF 3	DWG No. G40HCXXXXXXHR
							REV. A

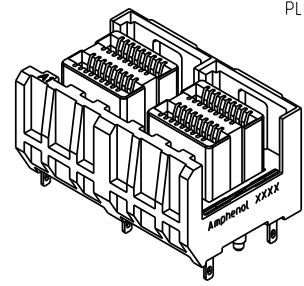
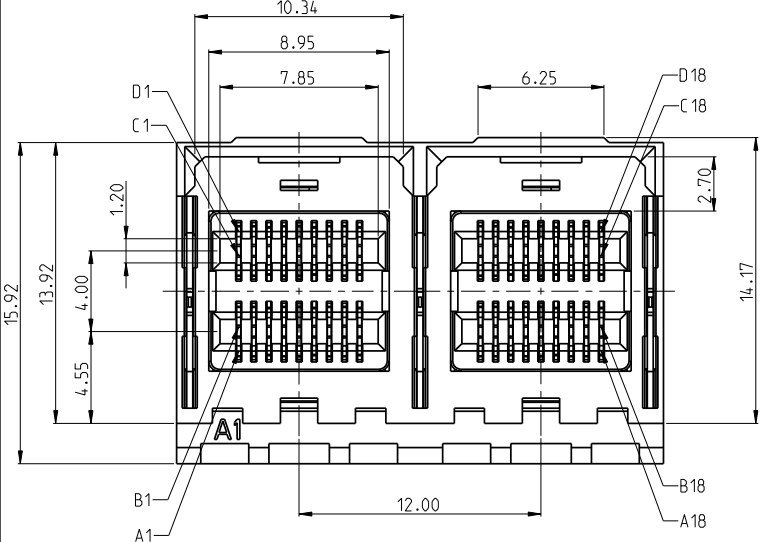
Amphenol®  
Amphenol Corporation  
Amphenol Taiwan Corporation

ORIGINAL

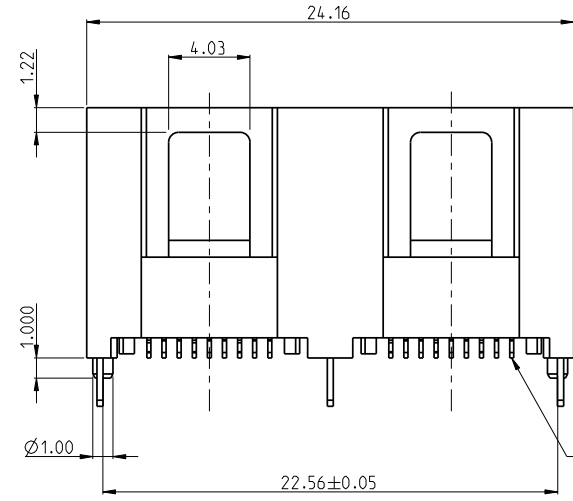
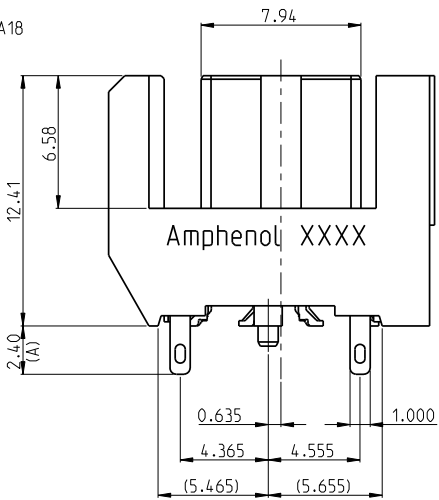
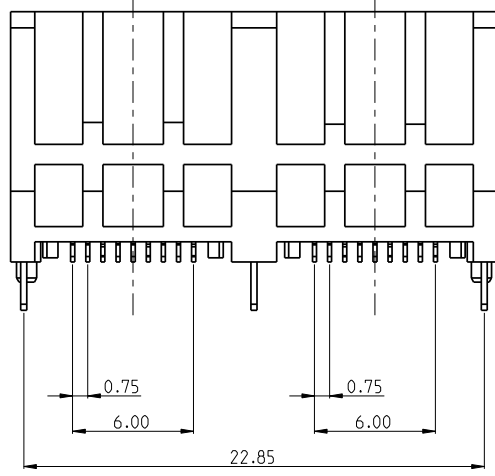
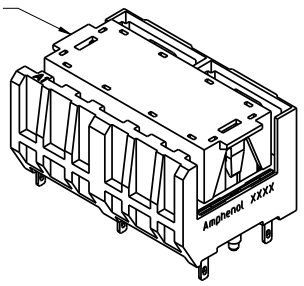
REVISIONS				
SYM	ECN No.	DESCRIPTION	DATE	BY
A	NE-14070	NEW RELEASE	04/28/2014	HANK HSU

This document is the property of Amphenol Corporation and is delivered on the express condition that it is not to be disclosed, reproduced or used, in whole or in part, for manufacture or sale by anyone other than Amphenol Corporation without its prior consent, and that no right is granted to disclose or to use any information in this document.

The marking on this product doesn't contain environmental hazardous materials per Material Specification SS-00259 for Sony GP compliant or per directive 2011/65/EU for RoHS compliant.



PLASTIC CAP



0.10 ALL SMT TAILS

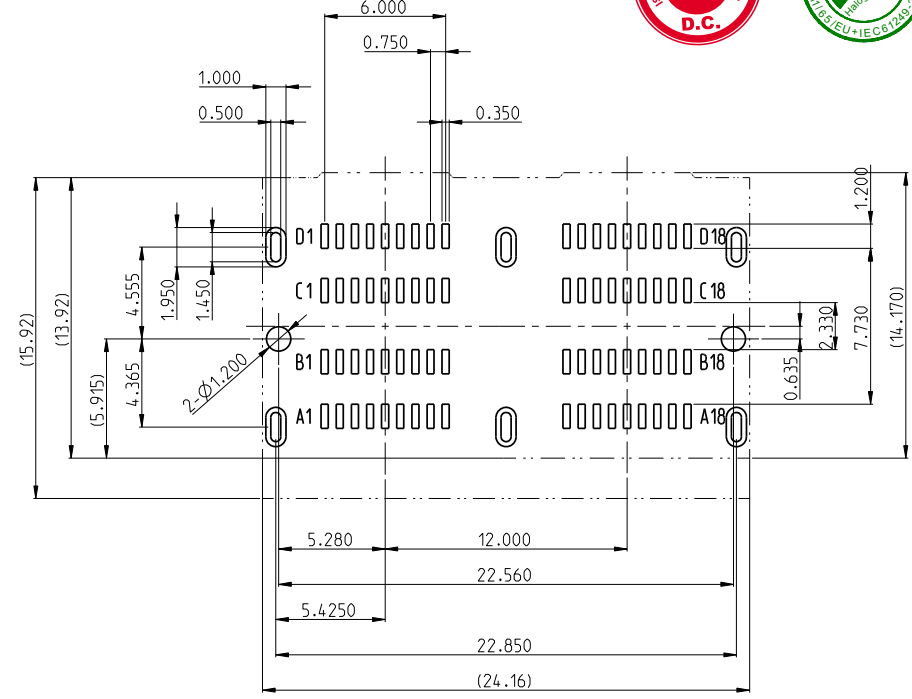
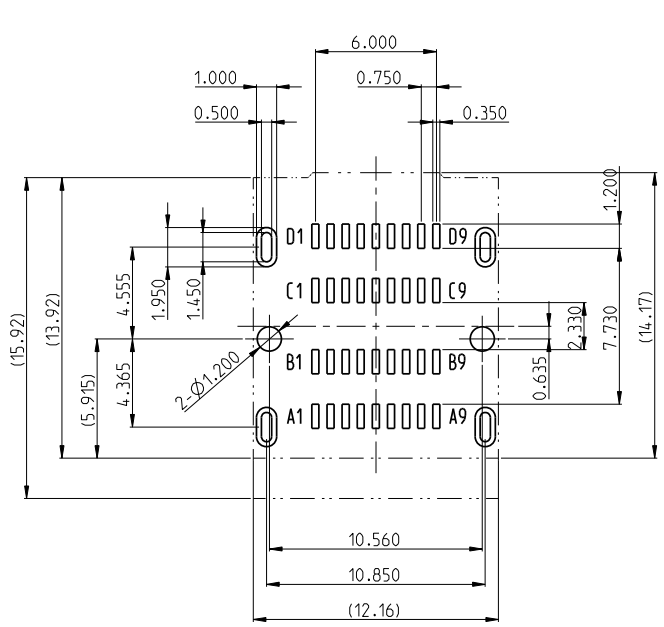
TOLERANCE	DRAWN	APPROVALS	DATE	TITLE	Amphenol® Amphenol Corporation Amphenol Taiwan Corporation			
X. ±0.30	DESIGNED	Hank Hsu	04/28/2014	MINI SAS HD INTEGRATED CONNECTOR 0.75 PITCH, V/T, SMT TYPE	UNIT	SIZE	PART No.	G40HCXXXXXXHR
X.X ±0.20	CHECKED	Sondra Sang	04/28/2014		mm	A3	DWG No.	
X.XXX ±0.10	APPROVED	Hank Hsu	04/28/2014		NA	SHEET 2 OF 3	REV. A	
ANGULAR ±2°	DWG TYPE	CUST DWG	PROJECT CODE	1515				
UNLESS OTHERWISE SPECIFIED								

ORIGINAL

REVISIONS				
SYM	ECN No.	DESCRIPTION	DATE	BY
A	NE-14070	NEW RELEASE	04/28/2014	HANK HSU

This document is the property of Amphenol Corporation and is delivered on the express condition that it is not to be disclosed, reproduced or used, in whole or in part, for manufacture or sale by anyone other than Amphenol Corporation without its prior consent, and that no right is granted to disclose or to use any information in this document.

The marking on this product doesn't contain environmental hazardous materials per Material Specification SS-00259 for Sony GP compliant or per directive 2011/65/EU for RoHS compliant.



- NOTES:
1. RECOMMENDED PCB HOLE Ø1.20 IS NPTH FOR ORIENTATION POST.
  2. RECOMMENDED PCB ELLIPTICAL HOLE 0.5X1.45 IS PTH FOR BOARD-LOCK.
  3. MINIMUM PCB THICKNESS: 1.57MM
  4. PIN ASSIGNMENTS PLEASE REFER TO SERIAL ATTACHED SCSI-3 (SAS-3) STANDARD.

TOLERANCE	DRAWN	APPROVALS	DATE	TITLE	Amphenol® Amphenol Corporation Amphenol Taiwan Corporation							
X.	DESIGNED	Hank Hsu	04/28/2014	MINI SAS HD INTEGRATED CONNECTOR 0.75 PITCH, V/T, SMT TYPE	UNIT	mm	SIZE	PART No.	G40HCXXXXXHR			
X.X ±0.30	CHECKED	Sondra Sang	04/28/2014									
X.XX ±0.20	APPROVED	Hank Hsu	04/28/2014									
X.XXX ±0.10	DWG TYPE	CUST DWG	PROJECT CODE	1515	SCALE	NA	SHEET	3 OF 3	DWG No.	G40HCXXXXXHR	REV.	A
ANGULAR ±2°	UNLESS OTHERWISE SPECIFIED											

## X-ON Electronics

Largest Supplier of Electrical and Electronic Components

*Click to view similar products for [I/O Connectors](#) category:*

*Click to view products by [Amphenol](#) manufacturer:*

Other Similar products are found below :

[571763P](#) [58098-0628](#) [72.250.1628.2](#) [72.250.2428.2](#) [74720-0505](#) [76.350.0729.0](#) [76871-1403](#) [FCN-244F080-G/1](#) [FCN-260A9920](#) [PCR-E36PM](#) [PCS-XE26MA+](#) [G38A71314B](#) [1571250010](#) [157-22500-3](#) [MS3471L14-19P L/C](#) [192991-0703](#) [172501-4002](#) [172501-6002](#) [FCN-260C008-A/L0](#) [FCN-260C024-AL0](#) [FCN-261Z008](#) [2000314-1](#) [200331-1](#) [PCR-E36FC+](#) [PCS-E28FS+](#) [PCS-XE26SLFD+](#) [PCS-XE26SLFDT+](#) [G730VID08BDC24](#) [HDR-E14MSG1+](#) [U90B2054081210](#) [UE86K842720321](#) [38113800006](#) [DP3AR020WQ1R200](#) [Z4.102.0680.0](#) [500-1040](#) [500-1052](#) [500-1054](#) [ZP-4008-66L](#) [0709821002](#) [DX40-20P\(55\)](#) [5554841-1](#) [MS3474W18-8P-LC\\*](#) [SM3106F14S-7S-LC](#) [U90B3054061110](#) [U65-E04-4020](#) [ZPF000000000097891](#) [557-262M2-06C](#) [747360449](#) [10099439-003C-TRLF](#) [10137239-0021LF](#)