

This document is the property of Amphenol Corporation and is delivered on the express condition that is not to be disclosed, reproduced or used, in whole or in part, for manufacture or sale by anyone other than Amphenol Corporation without its prior consent, and that no right is granted to disclose or to use any information in this document.

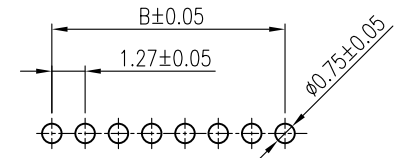
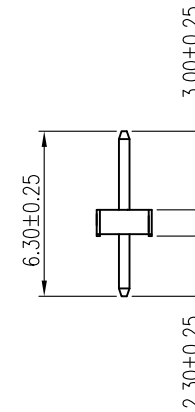
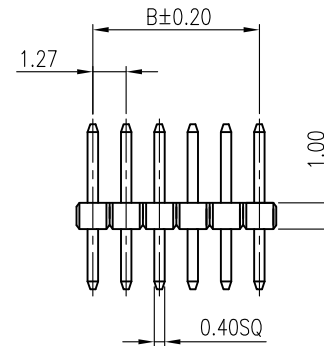
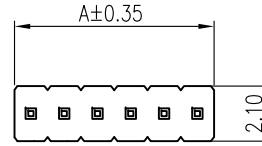
The marking on this product doesn't contain environmental hazardous materials per directive 2011/65/EU for RoHS compliant.

REVISIONS				
SYM	ECN No.	DESCRIPTION	DATE	APPROVED
AX1	EDSR#7311	NON-RELEASE TO PRODUCTION	04/14/2017	Roger Tsai
AX2	EDSR#9352	ADDED PKG	08/07/2019	Roger Tsai
AX3	EDSR#10313	ADDED 1X5POS. PKG	10/23/2020	Roger Tsai

PART NUMBER:
G802 XXX 11 X 6 YEU

CONTACT/SOLDER FINISH
0: GOLD FLASH/GOLD FLASH
2: 15μ" GOLD/GOLD FLASH
3: 30μ" GOLD/GOLD FLASH

NO. OF POS.



RECOMMENDED PCB LAYOUT

NOTES:

1. INSULATOR: NYLON 6T, UL 94V-0, COLOR- BLACK.
2. CONTACT: COPPER ALLOY, SELECTIVE PLATED ON CONTACT AREA, SELECTIVE PLATED ON SOLDERING TAIL, 50μ" MIN. NICKEL UNDER-PLATED OVERALL
3. THIS PRODUCT DOESN'T CONTAIN ENVIRONMENTAL HAZARDOUS MATERIALS PER DIRECTIVE 2011/65/EU FOR RoHS.
4. PACKING IS PER AMTA PACKING SPECIFICATION PKS-0001

26	33.02	31.75			
25	31.75	30.48	50	63.50	62.23
24	30.48	29.21	49	62.23	60.96
23	29.21	27.94	48	60.96	59.69
22	27.94	26.67	47	59.69	58.42
21	26.67	25.40	46	58.42	57.15
20	25.40	24.13	45	57.15	55.88
19	24.13	22.86	44	55.88	54.61
18	22.86	21.59	43	54.61	53.34
17	21.59	20.32	42	53.34	52.07
16	20.32	19.05	41	52.07	50.80
15	19.05	17.78	40	50.80	49.53
14	17.78	16.51	39	49.53	48.26
13	16.51	15.24	38	48.26	46.99
12	15.24	13.97	37	46.99	45.72
11	13.97	12.70	36	45.72	44.45
10	12.70	11.43	35	44.45	43.18
9	11.43	10.16	34	43.18	41.91
8	10.16	8.89	33	41.91	40.64
7	8.89	7.62	32	40.64	39.37
6	7.62	6.35	31	39.37	38.10
5	6.35	5.08	30	38.10	36.83
4	5.08	3.81	29	36.83	35.56
3	3.81	2.54	28	35.56	34.29
2	2.54	1.27	27	34.29	33.02

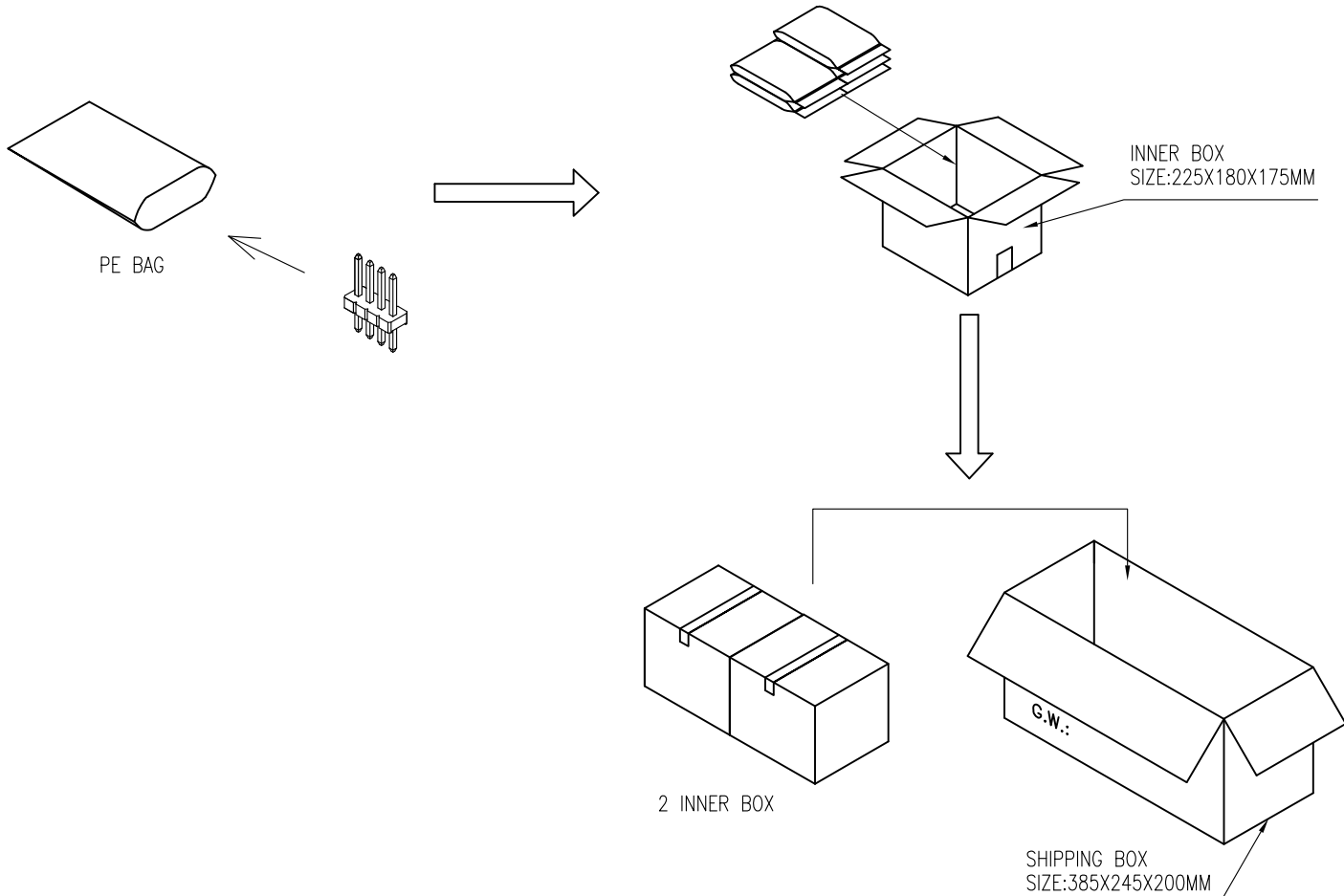
NO. OF POS	DIMENSIONS		NO. OF POS	DIMENSIONS	
	A	B		A	B

TOLERANCE		APPROVALS		DATE	TITLE		Amphenol®		
X.		DRAWN	Aqua Chou	10/23/2020	G802 SERIES, HEADER 1.27 PITCH, SINGLE ROW STRAIGHT, PCB MOUNT		Amphenol Corporation Amphenol Taiwan Corporation		
X.X	±0.30	CHECKED	Karen Su	10/23/2020					
X.XX	±0.20	APPROVED	Roger Tsai	10/23/2020					
X.XXX	±0.10	ANGULAR ±1°			UNIT	mm	SIZE	A3	
UNLESS OTHERWISE SPECIFIED		DWG TYPE	CUST DWG	PROJECT CODE	HEAD	SCALE	NA	SHEET	1 OF 2
						PART No.		G802XXX11X6YEU	
						DWG No.		G802XXX11X6YEU	
						REV.		AX3	


This document is the property of Amphenol Corporation and is delivered on the express condition that is not to be disclosed, reproduced or used, in whole or in part, for manufacture or sale by anyone other than Amphenol Corporation without its prior consent, and that no right is granted to disclose or to use any information in this document.

The marking on this product doesn't contain environmental hazardous materials per directive 2011/65/EU for RoHS compliant.

REVISIONS				
SYM	ECN No.	DESCRIPTION	DATE	APPROVED
AX1	EDSR#7311	NON-RELEASE TO PRODUCTION	04/14/2017	Roger Tsai
AX2	EDSR#9352	ADDED PKG	08/07/2019	Roger Tsai
AX3	EDSR#10313	ADDED 1X5POS. PKG	10/23/2020	Roger Tsai



1X5	2,000	15	2	60,000	--	--
1X4	2,000	20	2	80,000	3.6	4.5
1X3	2,000	20	2	80,000	--	--
POS.	PCS/BAG	BAG/ INNER BOX	INNER BOX/ SHIPPING CARTON	QUANTITY (PCS)	N.W. KG	G.W. KG

TOLERANCE	APPROVALS	DATE	TITLE		PART No.	
X. X.X ±0.30 X.XX ±0.20 X.XXX ±0.10	DRAWN Aqua Chou	10/23/2020	G802 SERIES, HEADER 1.27 PITCH, SINGLE ROW STRAIGHT, PCB MOUNT		Amphenol [®] Amphenol Corporation Amphenol Taiwan Corporation	
ANGULAR ±1°	CHECKED Karen Su	10/23/2020				
UNLESS OTHERWISE SPECIFIED	APPROVED Roger Tsai	10/23/2020				
	DWG TYPE CUST DWG	PROJECT CODE HEAD	 UNIT mm SCALE NA	SIZE A3 SHEET 2 OF 2	PART No. G802XXX11X6YEU DWG No. G802XXX11X6YEU REV. AX3	

X-ON Electronics

Largest Supplier of Electrical and Electronic Components

Click to view similar products for [Headers & Wire Housings](#) category:

Click to view products by [Amphenol](#) manufacturer:

Other Similar products are found below :

[57102-F02-18ULF](#) [58102-G61-06LF](#) [582553-1](#) [009176003701906](#) [0050291907](#) [02.125.8002.8](#) [609-3404](#) [61062-3](#) [622-0430](#) [622-3653LF](#)
[63453-116](#) [636-1030](#) [636-1427](#) [636-3427](#) [636-4007](#) [641938-9](#) [65495-038](#) [65692-001LF](#) [65781-018](#) [65781-047](#) [65817-010LF](#) [65817-015LF](#)
[66207-023LF](#) [67016-026LF](#) [67095-007LF](#) [68631-112](#) [68645-018](#) [68648-049](#) [699319-000](#) [M90C108951C](#) [70.362.1628.0](#) [70-4210](#) [70-4226B](#)
[70-4853B](#) [707-5020](#) [707-5028](#) [71.350.2428.0](#) [71961-016LF](#) [733-134](#) [754199-000](#) [760-3052](#) [787-8014-00](#) [FCN-367T-T012/H](#)
[80.063.4001.1](#) [800-90-001-10-001000](#) [801-43-002-10-013000](#) [801-43-006-10-002000](#) [803-41-018-10-001000](#) [803-43-014-20-001000](#)
[803-43-024-10-001000](#)