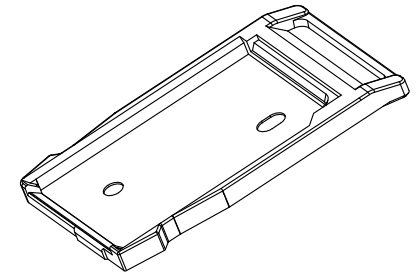
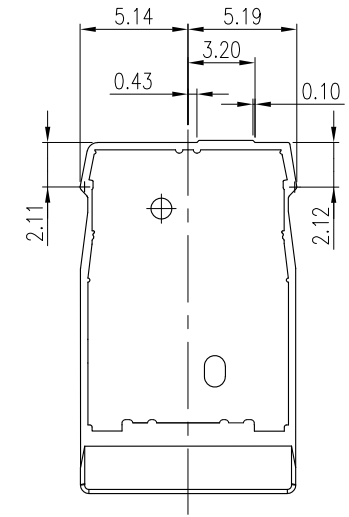
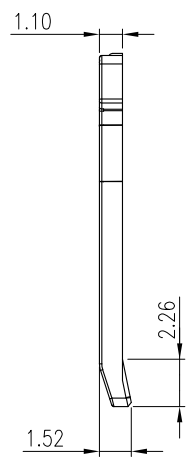
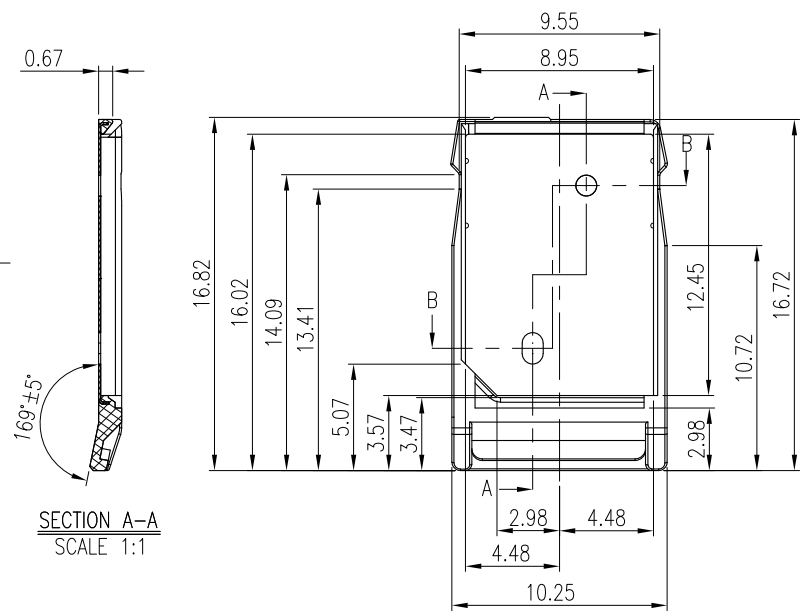
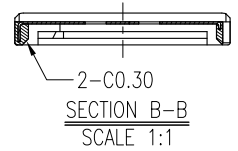


This document is the property of Amphenol Corporation and is delivered on the express condition that it is not to be disclosed, reproduced or used, in whole or in part, for manufacture or sale by anyone other than Amphenol Corporation without its prior consent, and that no right is granted to disclose or to use any information in this document.
The marking on this product doesn't contain environmental hazardous materials per directive 2011/65/EU for RoHS compliant.

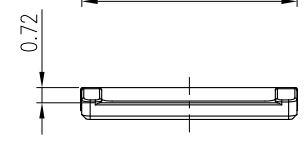
REVISIONS				
SYM	ECN No.	DESCRIPTION	DATE	BY
AX1	EDSR#7500	NON-RELEASE REVISION	2017-06-07	Karen Su
AX2	EDSR#7256	ADD WHITE IN COLOR OPTION	2018-01-15	Karen Su
AX3		ADDED NOTES NO.3/CHANGE 169°±1' TO 169°±5'	2020-05-07	Karen Su
AX4		UPDATE THE DRAWING LINE OF THE PRODUCT	2021-07-20	Karen Su

- NOTES:
- MATERIAL:
HOUSING: HIGH TEMPERATURE THERMAL PLASTIC PA46, UL94V-0,
COLOR: OPTION.
SHELL: STAINLESS STEEL.
 - THIS PRODUCT DOESN'T CONTAIN ENVIRONMENTAL HAZARDOUS PER DIRECTIVE 2011/65/EU FOR RoHS COMPLIANT.
 - APPLICABLE CONNECTOR P/N: G85D1140X2XP1HR.



PART NO. G85DT17001 X P1EU
COLOR OPTION
BLANK: BLACK
1: WHITE

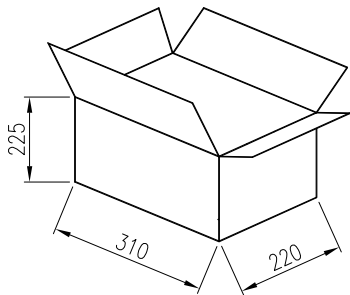
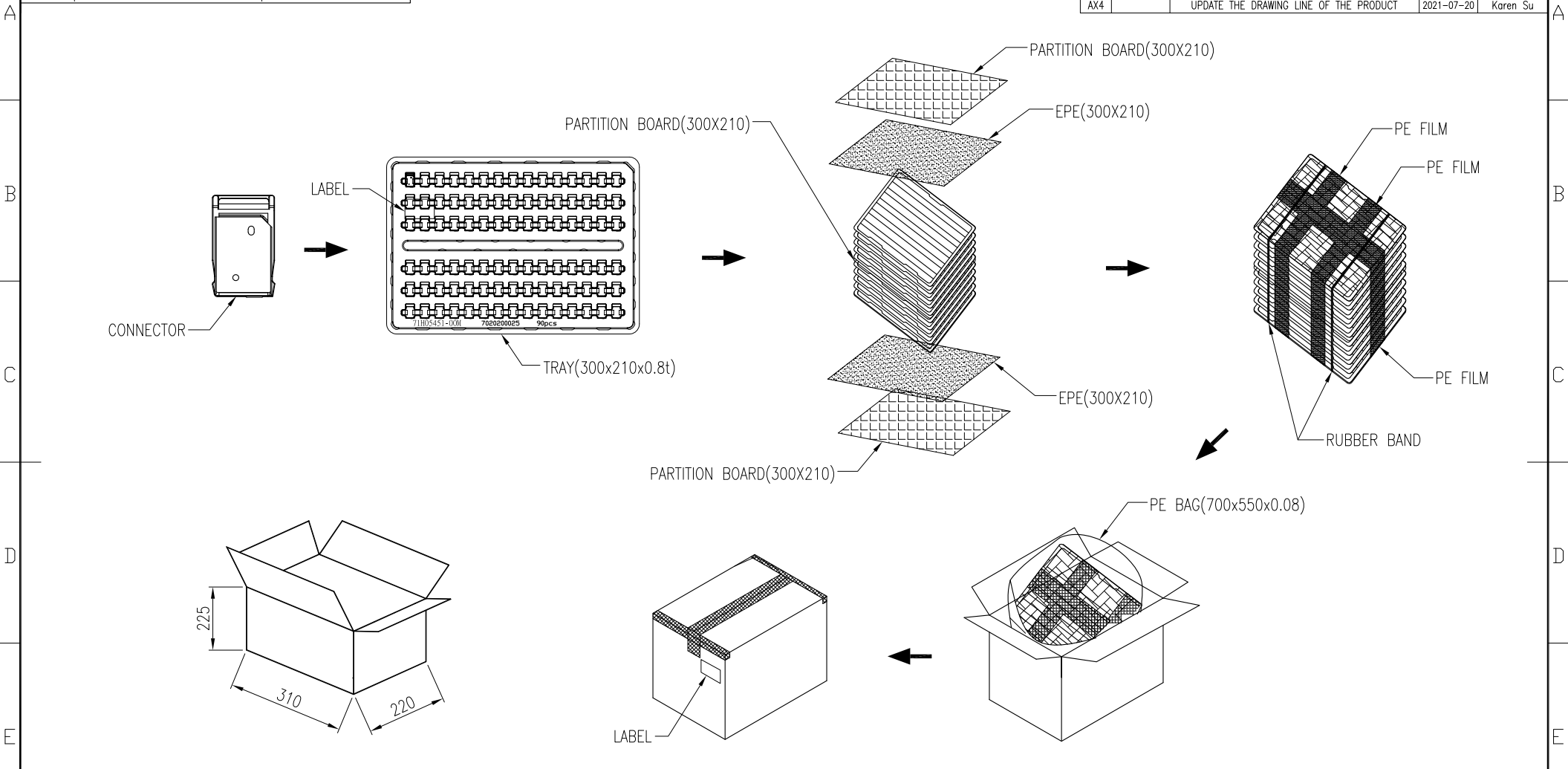
WARPAGE
0.10 MAX.



TOLERANCE		APPROVALS		DATE		TITLE		Amphenol®		
X.		DRAWN	Karen Su		2021-07-20	G85DT SERIES, NANO SIM CARD DRAWER		Amphenol Corporation Amphenol Taiwan Corporation		
X.X	±0.30	CHECKED	Aqua Chou		2021-07-20					
X.XX	±0.20	APPROVED	Roger Tsai		2021-07-20					
X.XXX	±0.10	DWG TYPE		PROJECT CODE				UNIT	SIZE	PART No.
ANGULAR	±1°	CUST DWG		OTHER				mm	A3	G85DT17001XP1EU
UNLESS OTHERWISE SPECIFIED						SCALE		SHEET	DWG No.	REV.
						NA		1 OF 2	G85DT17001XP1EU	AX4

This document is the property of Amphenol Corporation and is delivered on the express condition that is not to be disclosed, reproduced or used, in whole or in part, for manufacture or sale by anyone other than Amphenol Corporation without its prior consent, and that no right is granted to disclose or to use any information in this document.
 The marking on this product doesn't contain environmental hazardous materials per directive 2011/65/EU for RoHS compliant.

REVISIONS				
SYM	ECN No.	DESCRIPTION	DATE	BY
AX1	EDSR#7500	NON-RELEASE REVISION	2017-06-07	Karen Su
AX2	EDSR#7256	ADD WHITE IN COLOR OPTION	2018-01-15	Karen Su
AX3		ADDED NOTES NO.3/CHANGE 169'±1' TO 169'±5'	2020-05-07	Karen Su
AX4		UPDATE THE DRAWING LINE OF THE PRODUCT	2021-07-20	Karen Su



PACKAGING BY TRAY	xx	xx	90	40	3,600	G85DT17001XP1EU
	G/W KG	N/W KG	PCS/TRAY	TRAY/BOX	QUANTITY (PCS)	PART NUMBER

TOLERANCE		APPROVALS		DATE	TITLE		Amphenol®		
X.		DRAWN	Karen Su	2021-07-20	G85DT SERIES, NANO SIM CARD DRAWER		Amphenol Corporation Amphenol Taiwan Corporation		
X.X	±0.30	CHECKED	Aqua Chou	2021-07-20					
X.XX	±0.20	APPROVED	Roger Tsai	2021-07-20					
X.XXX	±0.10	DWG TYPE	CUST DWG	PROJECT CODE	OTHER	UNIT	mm	SIZE	A3
ANGULAR	±1°					SCALE	NA	SHEET	2 OF 2
UNLESS OTHERWISE SPECIFIED						PART No.		G85DT17001XP1EU	
						DWG No.		G85DT17001XP1EU	
						REV.		AX4	

X-ON Electronics

Largest Supplier of Electrical and Electronic Components

Click to view similar products for [Memory Card Connectors](#) category:

Click to view products by [Amphenol](#) manufacturer:

Other Similar products are found below :

[M21-033321-005](#) [6407-249V-25273P](#) [6407-249V-25343P](#) [6426-201-21343](#) [69.920.0553.0](#) [FCN-568P068-G/07-4V](#) [809180410000000](#)
[N7E50-7516PG-20-WF](#) [21920-5](#) [2041353-2](#) [33CFAE-DN](#) [502431-1011](#) [EN2997S61212BN](#) [EN2997SE61212BN](#) [617230001](#) [95622-003LF](#)
[95079-00CALF](#) [84648-056HLF](#) [68-580163-21S](#) [33DVIR-29S12R](#) [125A-78C00](#) [MI20A-50PD-SF-EJL\(71\)](#) [KP10S-SF-PEJ\(812\)](#) [504536-](#)
[0691](#) [504580-0691](#) [CCM03-3109 B LFT](#) [2309923-1](#) [61126-050CAHLF](#) [G85DT17001P1EU](#) [G85B21611142HHR](#) [GSD090144HR](#)
[G85D1140022P1HR](#) [GMCB05801124EU](#) [112K-TAA0-RA1](#) [115S-ACA2](#) [115S-ACA3](#) [115S-BS00](#) [115S-BT00](#) [115V-AD00](#) [MCSP-Q1-08-](#)
[A-SG-T/R](#) [503960-0695](#) [101B-TAA0-R](#) [101D-TAAA-R01](#) [101D-TAAB-R01](#) [104D-TCA0-R06](#) [104B-TAA0-R](#) [112C-TBAR-R02](#) [114B-](#)
[40B00-R02](#) [112G-TA00-R](#) [112J-TDAR-R01](#)