

This document is the property of Amphenol Corporation and is delivered on the express condition that is not to be disclosed, reproduced or used, in whole or in part, for manufacture or sale by anyone other than Amphenol Corporation without its prior consent, and that no right is granted to disclose or to use any information in this document.

The marking on this product doesn't contain environmental hazardous materials per Material Specification 55-00259 for Sony GP compliant or per directive 2011/65/EU for RoHS compliant.

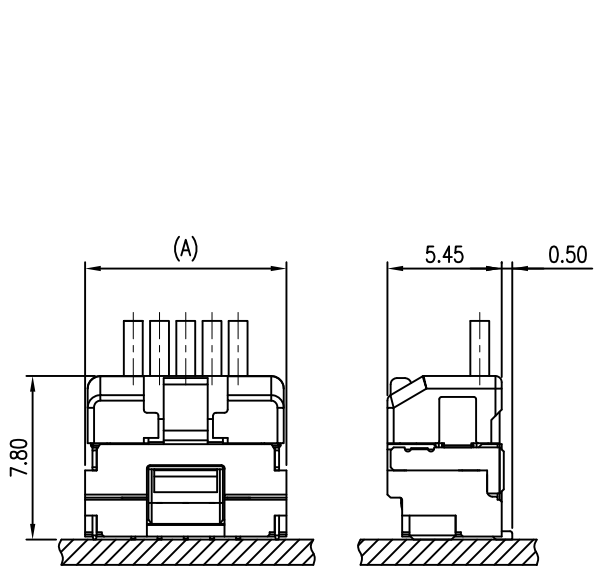
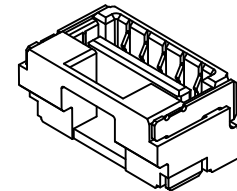
REVISIONS				
SYM	ECN No.	DESCRIPTION	DATE	APPROVED
A	NE-16275	RELEASE TO PRODUCTION	12/05/2016	Roger Tsai

P/N: G880 XX 1 X X X C1HR

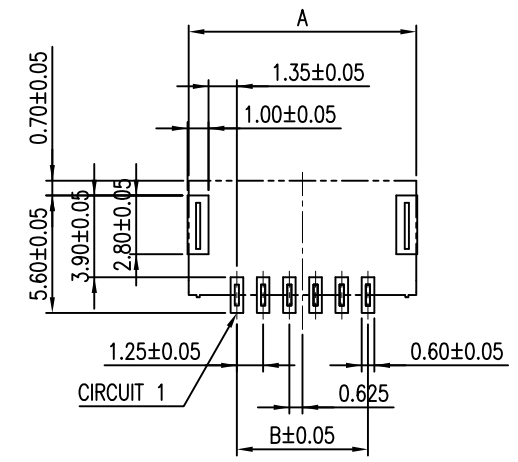
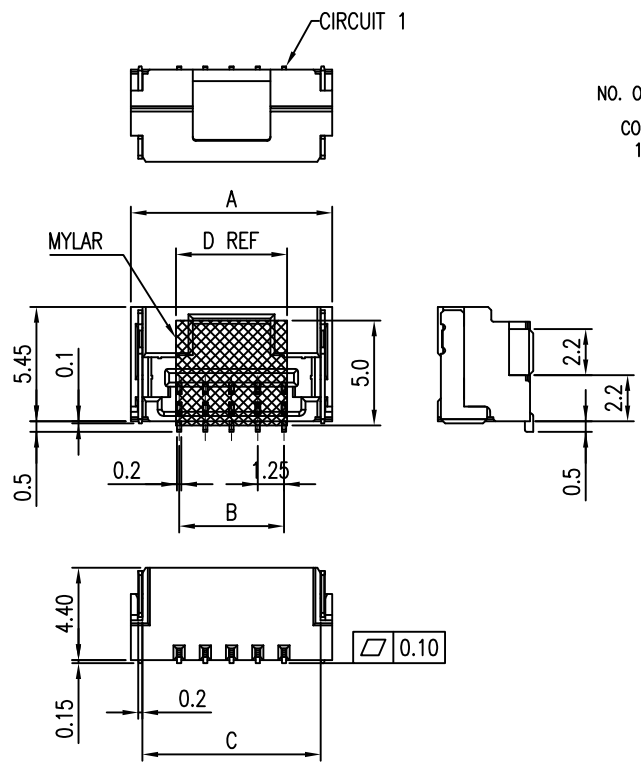
NO. OF POS. ——— X
 CONTACT FINISH ——— X
 1. 100µ" MATTE TIN

COLOR
 1. BLACK
 2. NATURAL

PACKING
 1. TAPE & REEL



MATED CONNECTOR



RECOMMENDED PCB LAYOUT
 ALL TOLERANCE ARE ±0.05

NOTES:

- INSULATOR: HIGH TEMPERATURE THERMAL PLASTIC, NYLON 6T, UL 94V-0, COLOR: OPTION.
- CONTACT: COPPER ALLOY, SELECTIVE PLATING ON CONTACT AREA, 100µ" MIN. MATTE TIN OR GOLD FLASH PLATING ON SOLDERING AREA, UNDER 50µ" MIN. NICKEL UNDER-PLATING OVERALL.
- THIS PRODUCT DOESN'T CONTAIN ENVIRONMENTAL HAZARDOUS MATERIAL PER DIRECTIVE 2011/65/EU FOR RoHS.
- PACKING MUST BE PER Amphenol PACKING SPECIFICATION PKS-0001
- PRODUCT SPECIFICATION REFER TO : PS-7582.
- TEST SUMMARY REFER TO : TS-7582-001.

G880 07 1XXX C1HR	7	12.10	7.50	11.00	5.3
G880 06 1XXX C1HR	6	10.85	6.25	9.75	5.3
G880 05 1XXX C1HR	5	9.60	5.00	8.50	5.3
G880 04 1XXX C1HR	4	8.35	3.75	7.25	5.3
G880 03 1XXX C1HR	3	7.10	2.50	6.00	5.3
G880 02 1XXX C1HR	2	5.85	1.25	4.75	5.3

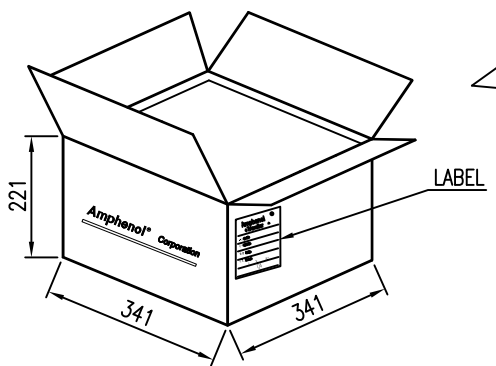
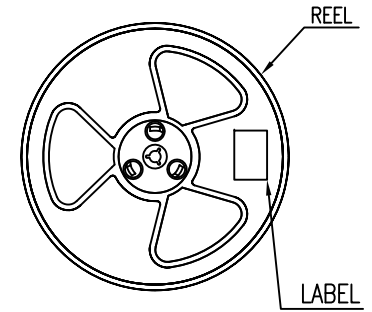
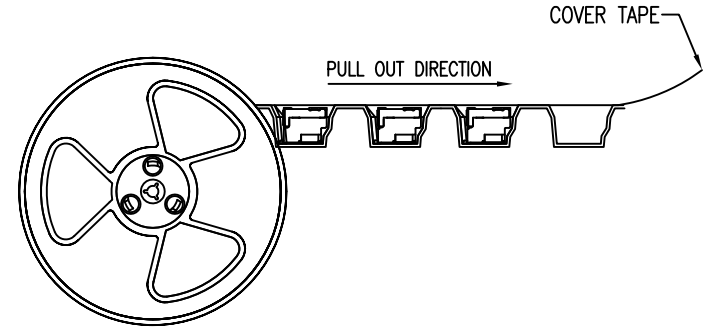
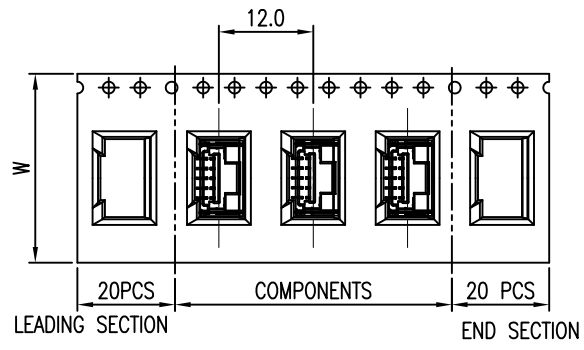
PART NUMBER	NO. OF POSITIONS	DIMENSIONS			
		A	B	C	D

TOLERANCE	APPROVALS	DATE	TITLE		PART No.	
X. ±0.30 X.X ±0.20 X.XXX ±0.10	DRAWN Aqua Chou	12/05/2016	G880 SERIES, WTB CONN 1.25 PITCH, VERICAL SMT TYPE		Amphenol® Amphenol Corporation Amphenol Taiwan Corporation	
	CHECKED Roger Tsai	12/05/2016				
	APPROVED Roger Tsai	12/05/2016				
ANGULAR ±1°	DWG TYPE CUST DWG	PROJECT CODE PHD	UNIT mm	SIZE A3	G880XX1XXXC1HR	
UNLESS OTHERWISE SPECIFIED			SCALE NA	SHEET 1 OF 2	G880XX1XXXC1HR	
					REV. A	

This document is the property of Amphenol Corporation and is delivered on the express condition that it is not to be disclosed, reproduced or used, in whole or in part, for manufacture or sale by anyone other than Amphenol Corporation without its prior consent, and that no right is granted to disclose or to use any information in this document.

The marking on this product doesn't contain environmental hazardous materials per Material Specification 55-00259 for Sony GP compliant or per directive 2011/65/EU for RoHS compliant.

REVISIONS				
SYM	ECN No.	DESCRIPTION	DATE	APPROVED
A	NE-16275	RELEASE TO PRODUCTION	12/02/2016	Roger Tsai



Pos.	W	PCS/Reel	PCS/Carton	Net (Kg)	Gross (Kg)
2	16.0	1000	9000	1.42	5.16
3		1000	6000	1.13	4.49
4		1000	6000	1.28	4.64
5	24.0	1000	6000	1.46	4.82
6		1000	6000	1.64	5.00
7		1000	6000	1.82	5.18

TOLERANCE		APPROVALS		DATE	TITLE		Amphenol®						
X.		DRAWN	Aqua Chou	12/05/2016	G880 SERIES, WTB CONN 1.25 PITCH, VERICAL SMT TYPE		Amphenol Corporation Amphenol Taiwan Corporation						
X.X	±0.30	CHECKED	Roger Tsai	12/05/2016									
X.XX	±0.20	APPROVED	Roger Tsai	12/05/2016									
X.XXX	±0.10						UNIT	mm	SIZE	A3	PART No.	G880XX1XXXC1HR	
ANGULAR	±1°						SCALE	NA	SHEET	2 OF 2	DWG No.	G880XX1XXXC1HR	
UNLESS OTHERWISE SPECIFIED		DWG TYPE		CUST DWG	PROJECT CODE		PHD				REV.		A

X-ON Electronics

Largest Supplier of Electrical and Electronic Components

Click to view similar products for [Headers & Wire Housings](#) category:

Click to view products by [Amphenol](#) manufacturer:

Other Similar products are found below :

[892-18-020-10-001101](#) [58102-G61-06LF](#) [582553-1](#) [0009485154](#) [009176003701906](#) [0050291907](#) [LY20-4P-DT1-P1E-BR](#) [02.125.8002.8](#)
[609-3404](#) [61062-3](#) [622-0430](#) [622-3653LF](#) [63453-116](#) [636-1030](#) [636-1427](#) [636-3427](#) [636-4007](#) [641938-9](#) [641991-4](#) [644827-2](#) [65817-010LF](#)
[65817-015LF](#) [65863-015LF](#) [66207-023LF](#) [67095-007LF](#) [67601157](#) [68648-049](#) [70.362.1628.0](#) [70-4210](#) [70-4226B](#) [70-4853B](#) [707-5020](#) [707-5028](#) [71.350.2428.0](#) [71918-208LF](#) [71961-016LF](#) [733-134](#) [733-162](#) [754199-000](#) [760-3052](#) [787-8014-00](#) [79531-3000](#) [FCN-360C032-B](#) [FCN-367T-T012/H](#) [FCN-723D010/2](#) [80.063.4001.1](#) [800-90-001-10-001000](#) [800-90-010-10-002000](#) [801-43-002-10-013000](#) [801-43-006-10-002000](#)