

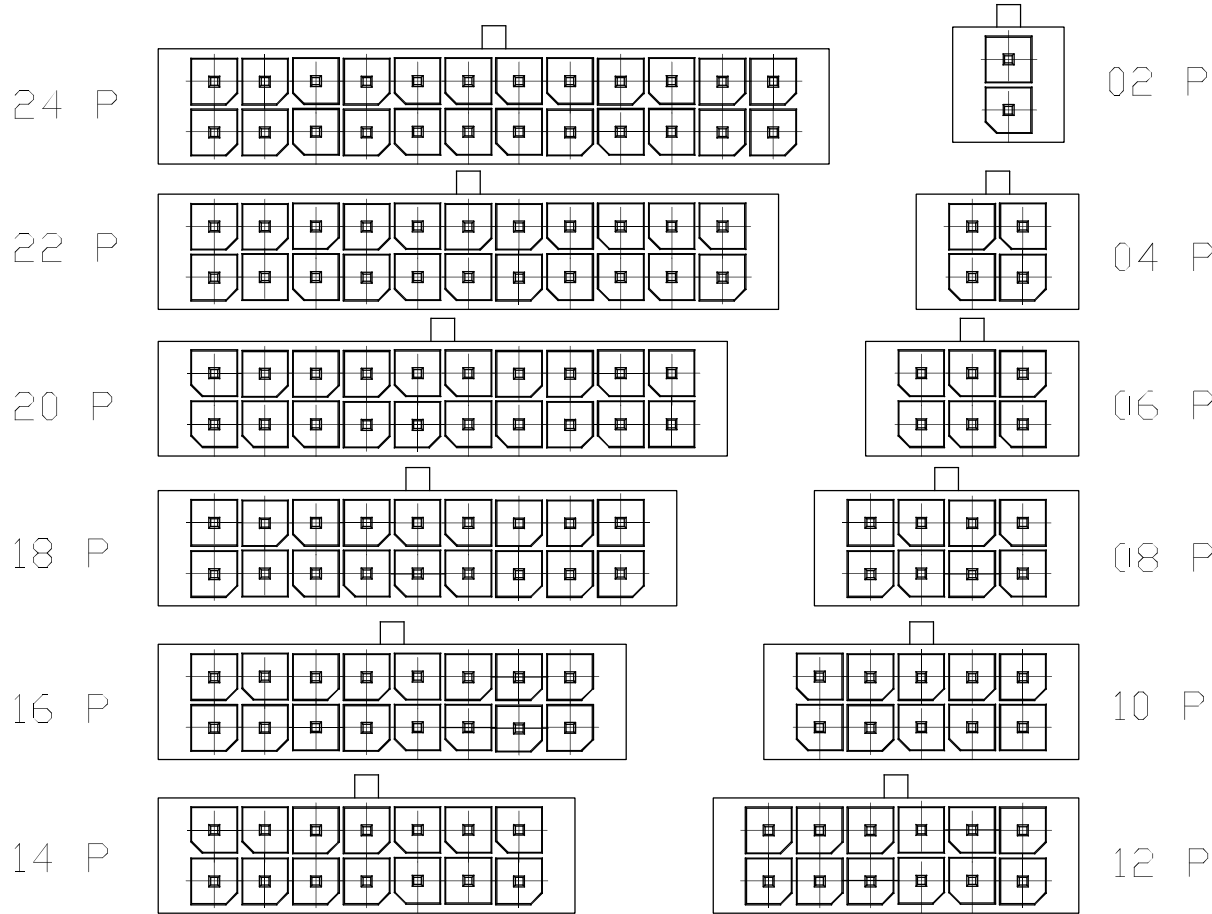


This document is the property of Amphenol Corporation and is delivered on the express condition that it is not to be disclosed, reproduced or used, in whole or in part, for manufacture or sale by anyone other than Amphenol Corporation without its prior consent, and that no right is granted to disclose or to use any information in this document.

The marking on this product doesn't contain environmental hazardous materials per Material Specification 55-00759 for Sony GP compliant or per directive 2011/65/EU for RoHS compliant.

REVISIONS				
SYM	ECN No.	DESCRIPTION	DATE	APPROVED
A		RELEASE FOR RoHS	10/06/2005	Henry Ko
B	NE-11044	DRAWING UPDATE	03/28/2011	Arron Lin
C	NE-12011	ADDED DIM. 4.6 & 0.93	02/10/2012	Arron Lin
D	NE-13023	ADDED 30u" GOLD	01/31/2013	Arron Lin
E	NE-17133	UPDATE DRAWING/ADDED T&R PACKAGE	06/19/2017	Roger Tsai

# 02~24 PIN TOP VIEW

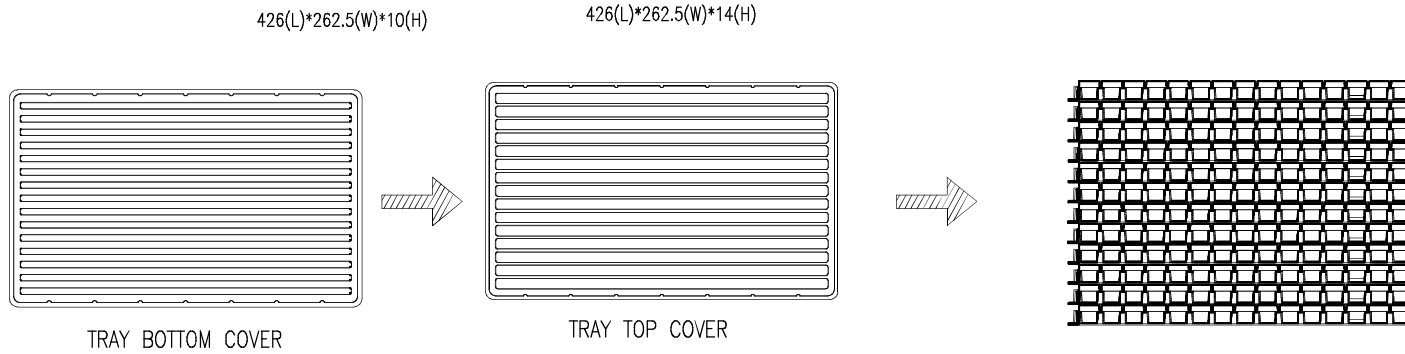


TOLERANCE		APPROVALS		DATE		TITLE			<b>Amphenol<sup>®</sup></b> Amphenol Corporation Amphenol Taiwan Corporation		
X.		DRAWN	Karen Su	06/19/2017		G881A SERIES WIRE TO BOARD, WAFER 3.00 MM PITCH R/A PCB MOUNT			PART No. G881AXX0X1TXEU		
X.X	±0.30	CHECKED	Aqua Chou	06/19/2017					SCALE NA		
X.XX	±0.20	APPROVED	Roger Tsai	06/19/2017					SIZE A3		
X.XXX	±0.10	UNLESS OTHERWISE SPECIFIED		DWG TYPE	CUST DWG	PROJECT CODE	PHD	SHEET 2 OF 4			REV. E
ANGULAR	±1°										

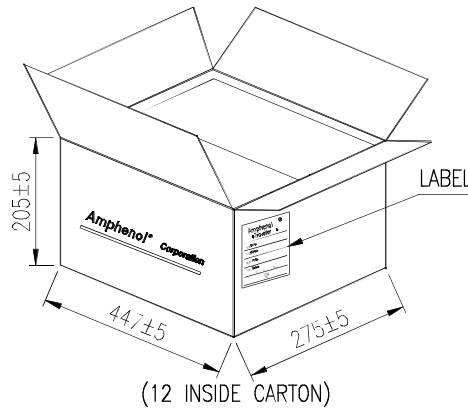
This document is the property of Amphenol Corporation and is delivered on the express condition that it is not to be disclosed, reproduced or used, in whole or in part, for manufacture or sale by anyone other than Amphenol Corporation without its prior consent, and that no right is granted to disclose or to use any information in this document.

The marking on this product doesn't contain environmental hazardous materials per Material Specification 55-00759 for Sony GP compliant or per directive 2011/65/EU for RoHS compliant.

REVISIONS				
SYM	ECN No.	DESCRIPTION	DATE	APPROVED
A		RELEASE FOR RoHS	10/06/2005	Henry Ko
B	NE-11044	DRAWING UPDATE	03/28/2011	Arron Lin
C	NE-12011	ADDED DIM. 4.6 & 0.93	02/10/2012	Arron Lin
D	NE-13023	ADDED 30u" GOLD	01/31/2013	Arron Lin
E	NE-17133	UPDATE DRAWING/ADDED T&R PACKAGE	06/19/2017	Roger Tsai



POS	PCS/TRAY	PCS/CARTON
02	900	10800
04	615	7380
06	465	5580
08	375	4500
10	315	3780
12	270	3240
14	240	2880
16	210	2520
18	180	2160
20	165	1980
22	150	1800
24	150	1800



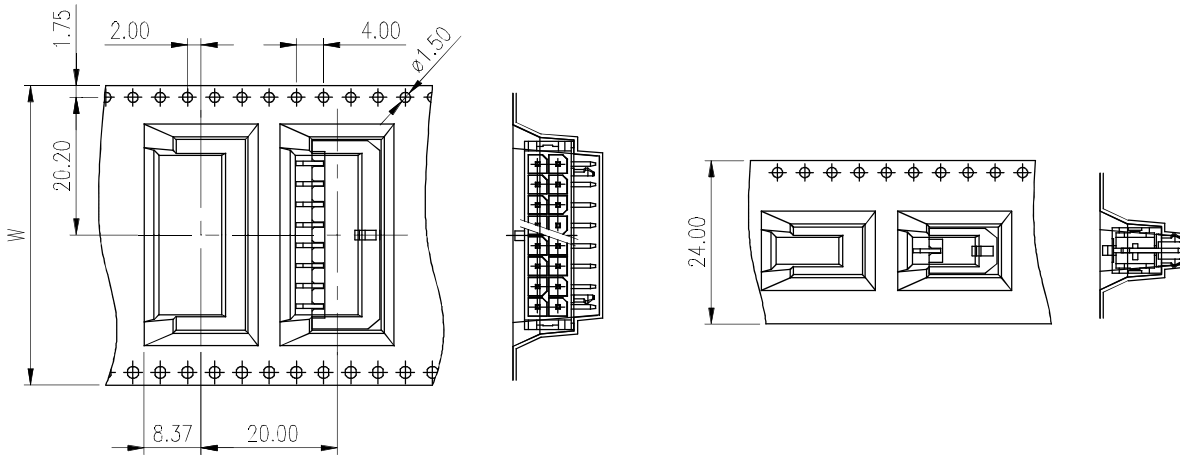
- NOTE:
1. MATERIAL : BLACK CONDUCTIVE POLYSTYRENE ALLOY
  2. ALL DIMENSIONS MEET EIA-481-C REQUIREMENTS.
  3. THICKNESS : 0.80±0.05mm.

TOLERANCE	APPROVALS	DATE	TITLE			Amphenol®		
X. ±0.30	DRAWN Karen Su	06/19/2017	G881A SERIES WIRE TO BOARD, WAFER 3.00 MM PITCH R/A PCB MOUNT			Amphenol Corporation Amphenol Taiwan Corporation		
X.X ±0.20	CHECKED Aqua Chou	06/19/2017						
X.XXX ±0.10	APPROVED Roger Tsai	06/19/2017						
ANGULAR ±1°	DWG TYPE CUST DWG	PROJECT CODE PHD	UNIT mm	SIZE A3	PART No. G881AXX0X1TXEU			
UNLESS OTHERWISE SPECIFIED			SCALE NA	SHEET 3 OF 4	DWG No. G881AXX0X1TXEU		REV. E	

This document is the property of Amphenol Corporation and is delivered on the express condition that it is not to be disclosed, reproduced or used, in whole or in part, for manufacture or sale by anyone other than Amphenol Corporation without its prior consent, and that no right is granted to disclose or to use any information in this document.

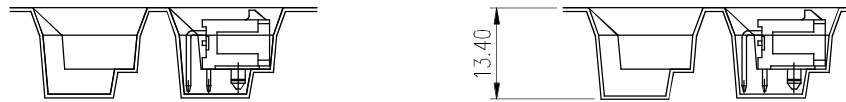
The marking on this product doesn't contain environmental hazardous materials per Material Specification 55-00759 for Sony GP compliant or per directive 2011/65/EU for RoHS compliant.

REVISIONS				
SYM	ECN No.	DESCRIPTION	DATE	APPROVED
A		RELEASE FOR RoHS	10/06/2005	Henry Ko
B	NE-11044	DRAWING UPDATE	03/28/2011	Arron Lin
C	NE-12011	ADDED DIM. 4.6 & 0.93	02/10/2012	Arron Lin
D	NE-13023	ADDED 30u" GOLD	01/31/2013	Arron Lin
E	NE-17133	UPDATE DRAWING/ADDED T&R PACKAGE	06/19/2017	Roger Tsai

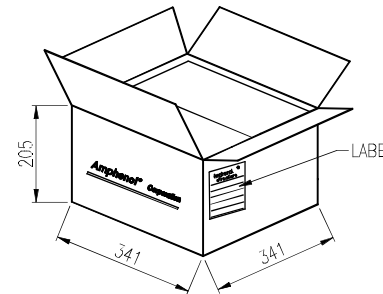
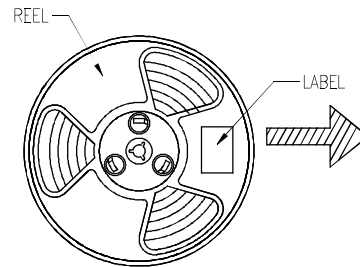
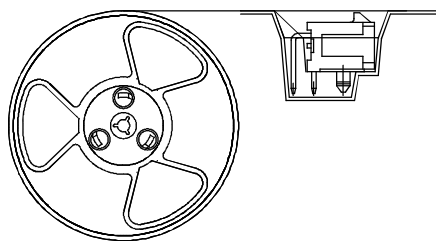


NOTE:

1. MATERIAL : BLACK CONDUCTIVE POLYSTYRENE ALLOY
2. ALL DIMENSIONS MEET EIA-481-C REQUIREMENTS.
3. THICKNESS : 0.50±0.05mm.
4. THIS PRODUCT DOESN'T CONTAIN ENVIRONMENTAL HAZARDOUS MATERIALS PER DIRECTIVE 2011/65/EU FOR RoHS



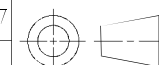
PULL OUT DIRECTION



P-CKAGING BY TAPE&REEL	PART NO.	POS.	DIM"W"	PCS REEL	QUANTITY (PCS)
	G881A020X1TREU	02	24	200	1200
	G881A040X1TREU	04	24	200	1200
	G881A060X1TREU	06	32	200	1000
	G881A080X1TREU	08	32	200	1000
	G881A100X1TREU	10	44	200	800
	G881A120X1TREU	12	44	200	800
	G881A140X1TREU	14	44	200	800
	G881A160X1TREU	16	44	200	800
	G881A180X1TREU	18	44	200	800
	G881A200X1TREU	20	56	200	600
G881A220X1TREU	22	56	200	600	
G881A240X1TREU	24	56	200	600	



TOLERANCE	APPROVALS	DATE	TITLE		PART No.	
X. ±0.30	DRAWN Karen Su	06/19/2017	G881A SERIES WIRE TO BOARD, WAFER 3.00 MM PITCH R/A PCB MOUNT		G881AXX0X1TXEU	
X.X ±0.20	CHECKED Aqua Chou	06/19/2017			G881AXX0X1TXEU	
X.XXX ±0.10	APPROVED Roger Tsai	06/19/2017			G881AXX0X1TXEU	
ANGULAR ±1°	DWG TYPE CUST DWG	PROJECT CODE PHD	UNIT mm	SIZE A3	REV. E	
UNLESS OTHERWISE SPECIFIED			SCALE NA	SHEET 4 OF 4		



**Amphenol**®

Amphenol Corporation  
Amphenol Taiwan Corporation

## X-ON Electronics

Largest Supplier of Electrical and Electronic Components

*Click to view similar products for [Power to the Board](#) category:*

*Click to view products by [Amphenol](#) manufacturer:*

Other Similar products are found below :

[6450171-4](#) [6450552-7](#) [6600323-8](#) [6643429-1](#) [6646040-2](#) [6651939-1](#) [6766604-1](#) [120959-1](#) [1393557-2](#) [1393532-2](#) [1393532-3](#) [1393532-4](#)  
[1393557-1](#) [1600812-5](#) [1-6450861-2](#) [1744132-7](#) [1761122-1](#) [1766250-1](#) [1892109-1](#) [2-6450860-5](#) [2-6450870-0](#) [1-6450161-4](#) [1-6450850-6](#) [1-](#)  
[6450869-6](#) [1645526-2](#) [1-6600130-0](#) [2005243-2](#) [TE34-12-16P-F0](#) [5-6450830-6](#) [5646956-4](#) [4-6450830-9](#) [4-6600333-3](#) [10125416-4050LF](#)  
[6600320-3](#) [3-6450860-5](#) [1888123-2](#) [6450166-1](#) [6643978-1](#) [6766605-1](#) [N11444](#) [6651938-1](#) [6450810-7](#) [46437-1112](#) [1-1589677-8](#) [5646956-5](#)  
[6450813-2](#) [6450129-4](#) [1645523-1](#) [PSS-06-01-T-S](#) [0465621864](#)