

4

3

2

1

DWG NO.	SH	REV
GE-1022	1	C

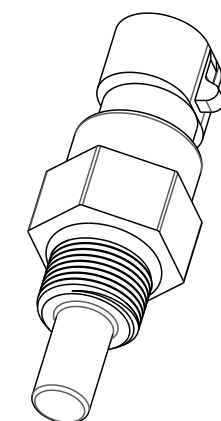
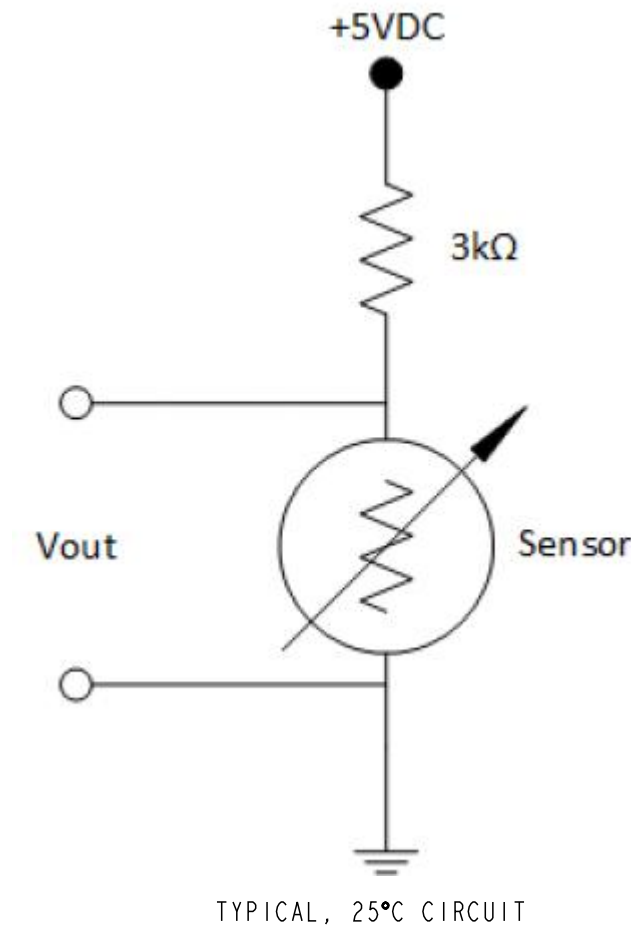
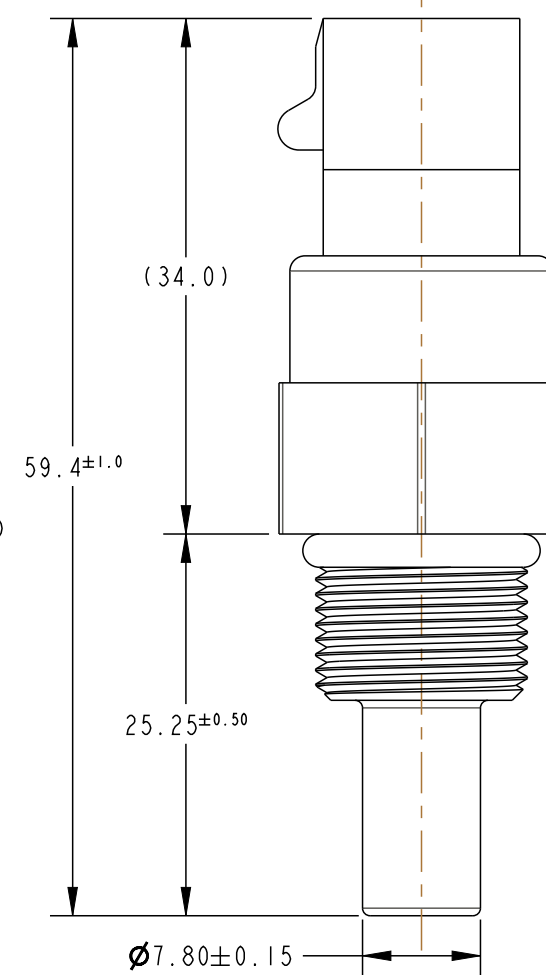
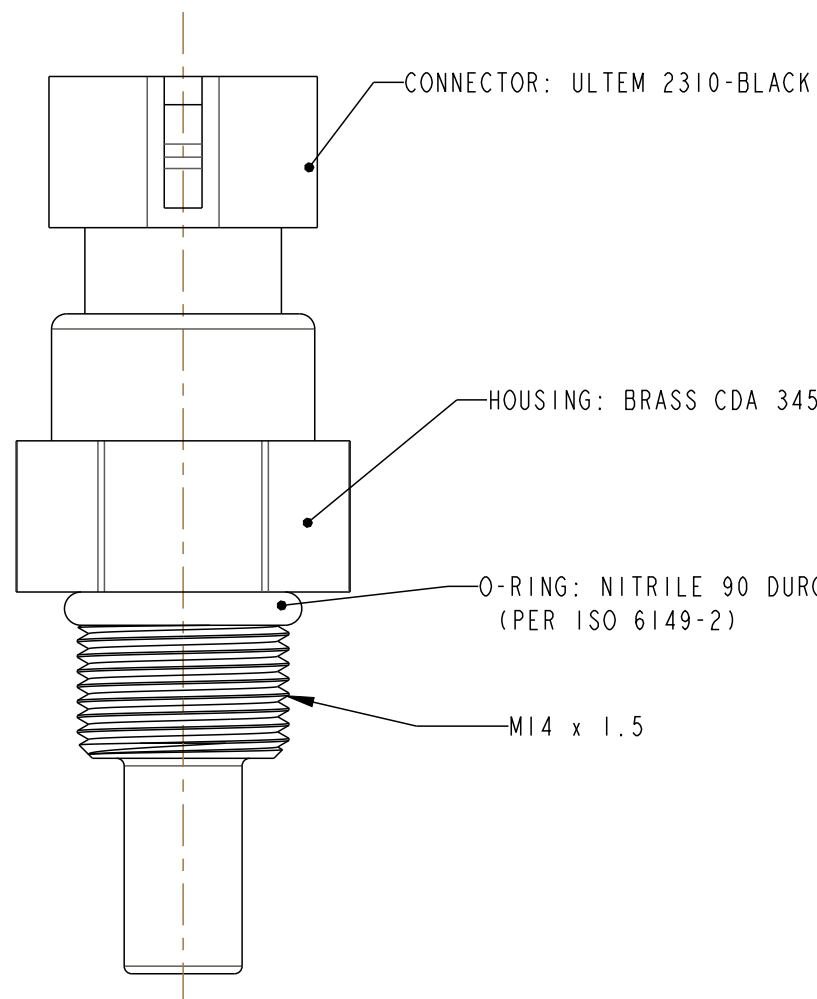
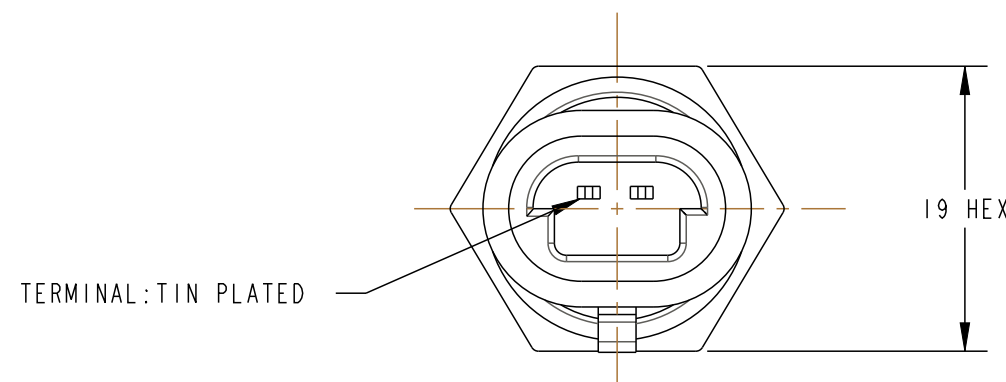
PROPRIETARY NOTICE: THE INFORMATION CONTAINED IN THIS DOCUMENT IS PROPRIETARY TO AMPHENOL AND SHALL NOT BE DISCLOSED IN WHOLE OR IN PART IN ANY FORM OR FOR ANY REASON EXCEPT AS EXPRESSLY STATED IN WRITING BY AMPHENOL.

NOTES:

1. CONTINUOUS OPERATING TEMPERATURE -40 TO 150 DEGREES CELCIUS.
2. CONNECTOR: METRI-PACK 150.2 OR GT150 3.5mm (MATING APTIV(DELPHI) PART NUMBER: 12162193,15336004 OR EQUIVILANT)
3. VOLTAGE: 5V

TEMP (°C)	RESISTANCE (OHMS)	RES TOL (+%)	RES TOL (-%)
-40	101770	5.74	9.27
25	2820	5.15	4.86
50	988.1	NOMINAL	
100	179.6	2.82	2.51
125	89.11	2.96	3.46

REVISIONS			
REV	REVISION HISTORY	DATE	DWN APVD
A	INITIAL DRAFT	11/21/17	DAM
B	UPDATED TOL'S & RES-TABLE, REVISED NOTES & ULTEM ADDED TERMINAL O-RING & CIRCUIT NOTES	1/29/19	MED STS
C	UPDATED NOTES & RES TBL. ULTEM 2300-BLACK WAS ULTEM 2300. 59.4 +/- 1.0 WAS 59.35 +/- 1.0, 25.3 +/- .5 WAS 25.25 +/- .5	5/31/19	MED STS



SCALE 1:1

<b>Amphenol</b>		St. Marys, PA 15857	
Advanced Sensors		TITLE	
FLUID TEMPERATURE SENSOR			
UNLESS OTHERWISE SPECIFIED DIMENSIONS ARE IN MM TOLERANCES ARE:		APPROVALS	DATE
.X ± 0.5	ANGLES ± 2°	DRAWN DAM	11/21/2017
.XX ± 0.25		CHECKED STS	11/21/2017
DO NOT SCALE DRAWING		ENGR STS	11/21/2017
THIRD ANGLE PROJECTION	OC		
INTERPRET DRAWING IAW ASME Y14.5			
MATERIAL SEE DRAWING		MFG	
SIZE B	DWG NO. GE-1022	REV C	
SCALE 2:1	SHEET 1 OF 1		

LEGAL NOTICE - THIS DRAWING AND ANY INTELLECTUAL PROPERTY RIGHTS THERE IN ARE PROPERTY OF AMPHENOL AND NO LICENSES ARE GRANTED UNDER THOSE RIGHTS.

4

3

2

1

## X-ON Electronics

Largest Supplier of Electrical and Electronic Components

*Click to view similar products for [Industrial Temperature Sensors](#) category:*

*Click to view products by [Amphenol](#) manufacturer:*

Other Similar products are found below :

[590-32AC34-103-WRI](#) [590-59CN02-103](#) [G9864ST22F0](#) [HEL-705-U-0-12-C1](#) [HEL-736-U-2-36](#) [HEL-717-U-0-24-00](#) [519-39AW09-245](#)  
[519-39CH01-295](#) [535-32AB36-202](#) [535-34AE08-303](#) [512-32AQ01-503](#) [521-33AG04-303](#) [521-53BR01-503](#) [E52P6DY4M](#) [535-34AE09-222](#)  
[590-32AC34-103](#) [590-32AD05-103](#) [HEL-705-U-0-36-00](#) [HEL-705-U-1-12-C2](#) [E52-CA6D-N 4M](#) [E52-P6DY 2M](#) [E52-P20C-N D=8](#) [E52-](#)  
[THE5A 100-200 2M](#) [HRTS-5760-B-T-0-18](#) [6655-71990001](#) [LTPCTGA20MBSIBX01](#) [LTPCTAA20MDSIEX01](#) [BB-HS-104T2505402](#)  
[NCP81255MNTXG](#) [HEL-707-T-1-24-00](#) [HEL-716-U-0-24-00](#) [USW2247](#) [R-11614-1](#) [RP103ST22P2](#) [R-10331-3F6](#) [E52-P20AY-D32 4M](#)  
[USW3361](#) [B57045K0222K000](#) [B57045K0154K000](#) [PPG102A6](#) [BB-WTJ-10-36-TT](#) [NB-PTCO-142](#) [B57045K0682K000](#) [R-1630](#) [R-8204](#) [R-](#)  
[8203](#) [E52-CA1GTY 1M](#) [SE031](#) [JS7352](#) [HRTS-5760-B-U-1-12](#)