

4


3

2

1

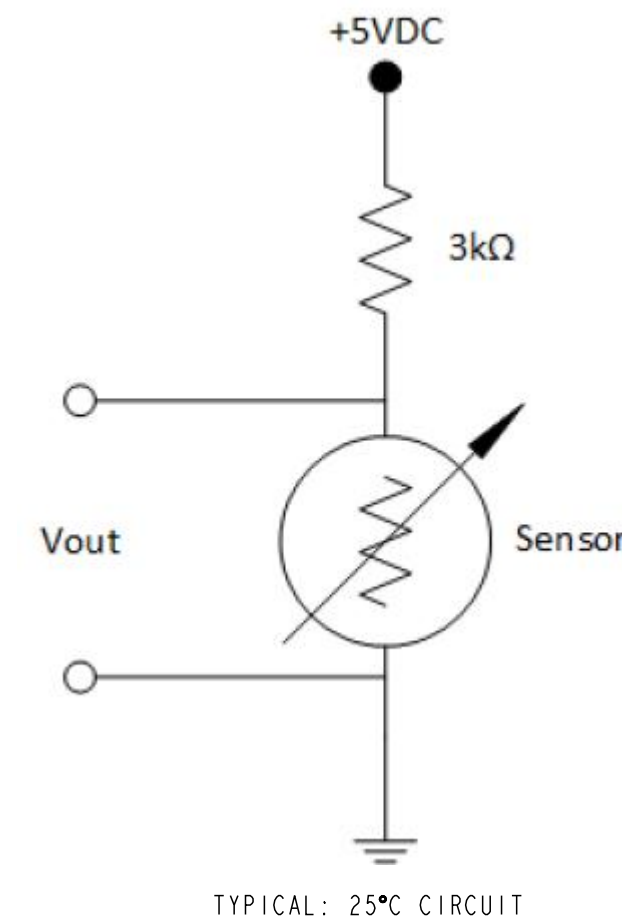
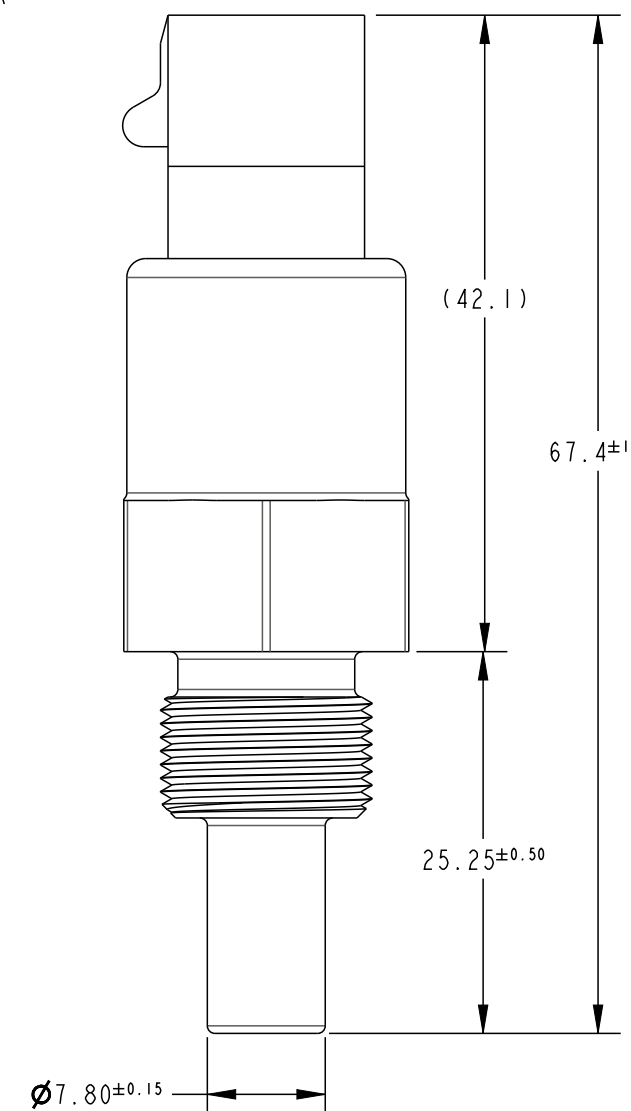
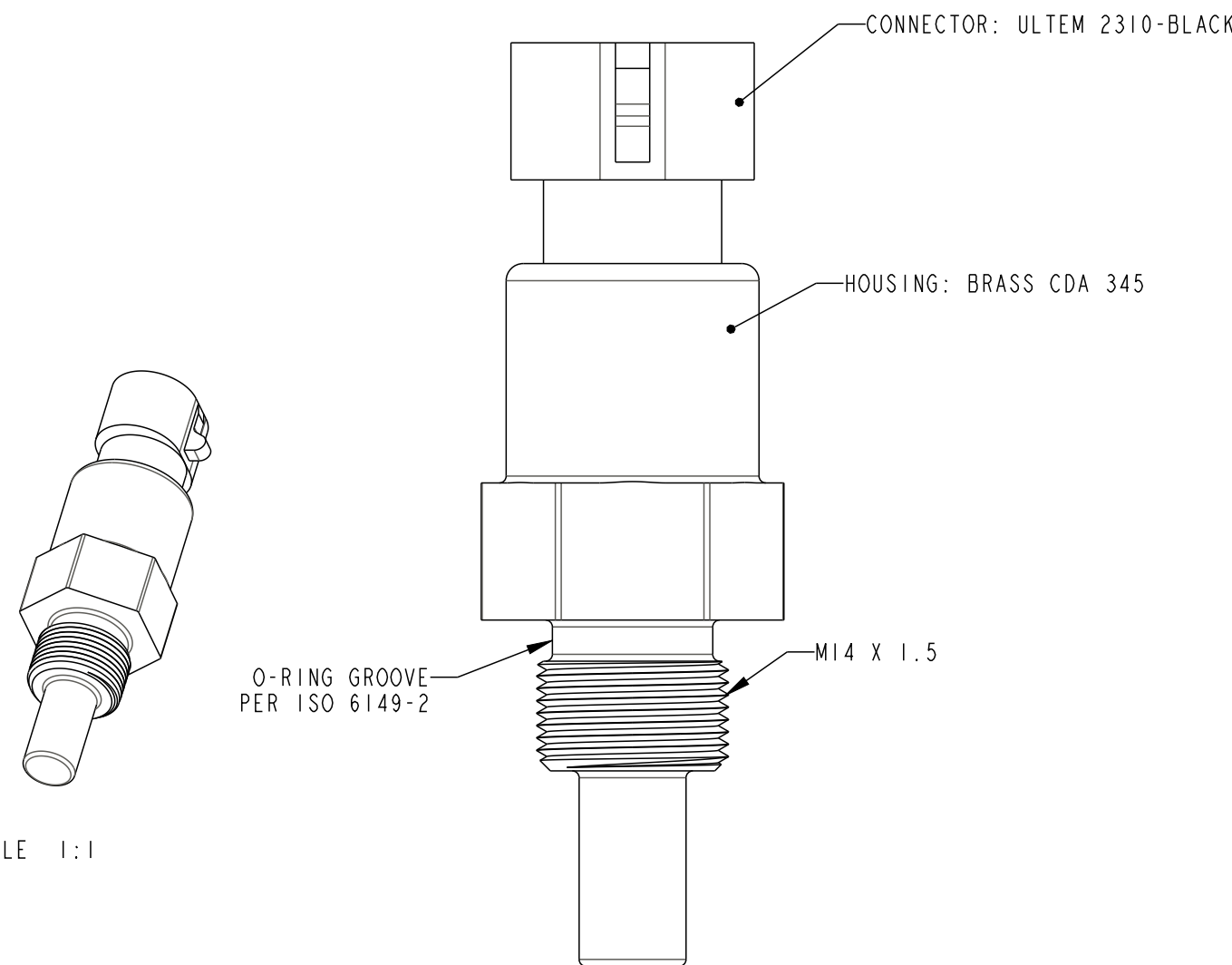
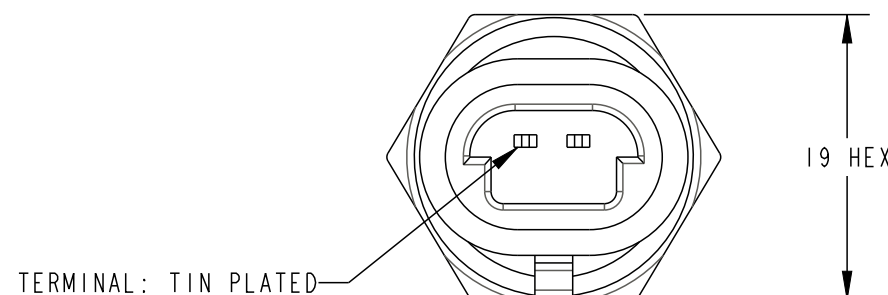
PROPRIETARY NOTICE: THE INFORMATION CONTAINED IN THIS DOCUMENT IS PROPRIETARY TO AMPHENOL AND SHALL NOT BE DISCLOSED IN WHOLE OR IN PART IN ANY FORM OR FOR ANY REASON EXCEPT AS EXPRESSLY STATED IN WRITING BY AMPHENOL.

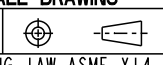
NOTES:

1. CONTINUOUS OPERATING TEMPERATURE 85 TO 150 DEGREES C.
2. CONNECTOR: METRI-PACK 150.2 OR GT150 3.5mm  MATING APTIV(DELPHI) PART NUMBER: 12162193,15336004 OR EQUIVILANT
3. VOLTAGE: 5V

TEMP (°C)	RESISTANCE (OHMS)	RES TOL (+%)	RES TOL (-%)
-40	101770	5.74	9.27
25	2820	5.15	4.86
50	988.1	NOMINAL	
100	179.6	2.82	2.51
125	89.11	2.96	3.46

REVISIONS				
REV	REVISION HISTORY	DATE	DWN	APVD
A	INITIAL DRAFT	9/10/2018	MED	STS
B	UPDATED TOL'S & RES-TABLE, REVISED NOTES, ADDED O-RING, TERMINAL & CIRCUIT NOTES	1/29/19	MED	STS
C	UP-DATED NOTES & RES-TABLE 19 WAS 19.00, 67.4+/-1.0 WAS 67.35+/-1.0, 22.3+/-0.5 WAS 25.25+/-0.50	06/3/19	MED	STS



Amphenol		St. Marys, PA 15857	
Advanced Sensors			
TITLE: FLUID TEMPERATURE SENSORS			
UNLESS OTHERWISE SPECIFIED DIMENSIONS ARE IN MM TOLERANCES ARE:		APPROVALS	DATE
.X ± 0.5	ANGLES ± 2°	DRAWN MED	09/10/18
.XX ± 0.25		CHECKED STS	09/10/18
DO NOT SCALE DRAWING		ENGR MED	09/10/18
THIRD ANGLE PROJECTION		OC	
INTERPRET DRAWING IAW ASME Y14.5		MFG	
MATERIAL SEE DRAWING			
SIZE B	DWG NO. GE-1067	REV C	
SCALE 2:1			SHEET 1 OF 1

LEGAL NOTICE - THIS DRAWING AND ANY INTELLECTUAL PROPERTY RIGHTS THERE IN ARE PROPERTY OF AMPHENOL AND NO LICENSES ARE GRANTED UNDER THOSE RIGHTS.

4

3

2

1

X-ON Electronics

Largest Supplier of Electrical and Electronic Components

Click to view similar products for [Industrial Temperature Sensors](#) category:

Click to view products by [Amphenol](#) manufacturer:

Other Similar products are found below :

[590-32AC34-103-WRI](#) [590-59CN02-103](#) [G9864ST22F0](#) [HEL-705-U-0-12-C1](#) [HEL-736-U-2-36](#) [HEL-717-U-0-24-00](#) [519-39AW09-245](#)
[519-39CH01-295](#) [535-32AB36-202](#) [535-34AE08-303](#) [512-32AQ01-503](#) [521-33AG04-303](#) [521-53BR01-503](#) [E52P6DY4M](#) [535-34AE09-222](#)
[590-32AC34-103](#) [590-32AD05-103](#) [HEL-705-U-0-36-00](#) [HEL-705-U-1-12-C2](#) [E52-CA6D-N 4M](#) [E52-P6DY 2M](#) [E52-P20C-N D=8](#) [E52-](#)
[THE5A 100-200 2M](#) [HRTS-5760-B-T-0-18](#) [6655-71990001](#) [LTPCTGA20MBSIBX01](#) [LTPCTAA20MDSIEX01](#) [BB-HS-104T2505402](#)
[NCP81255MNTXG](#) [HEL-707-T-1-24-00](#) [HEL-716-U-0-24-00](#) [USW2247](#) [R-11614-1](#) [RP103ST22P2](#) [R-10331-3F6](#) [E52-P20AY-D32 4M](#)
[USW3361](#) [B57045K0222K000](#) [B57045K0154K000](#) [PPG102A6](#) [BB-WTJ-10-36-TT](#) [NB-PTCO-142](#) [B57045K0682K000](#) [R-1630](#) [R-8204](#) [R-](#)
[8203](#) [E52-CA1GTY 1M](#) [SE031](#) [JS7352](#) [HRTS-5760-B-U-1-12](#)