

4

3

2

DWG NO.	SH	REV
GE-1665	1	A

1

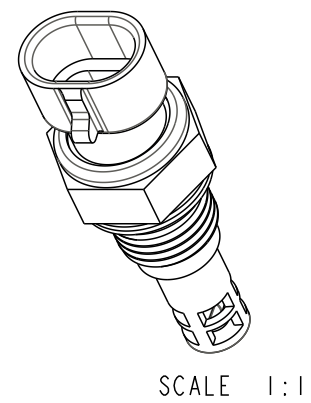
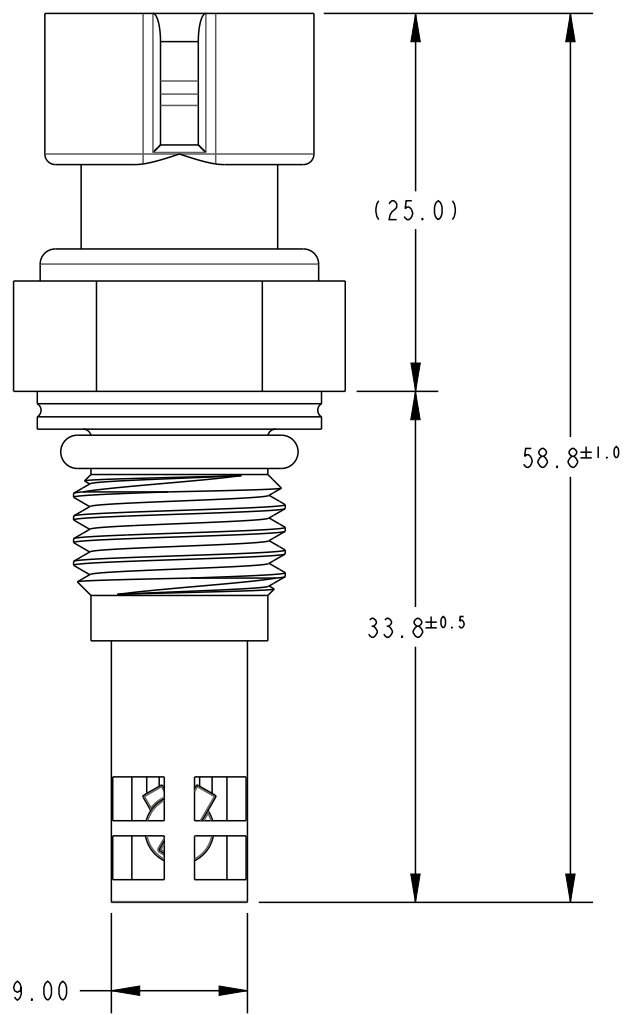
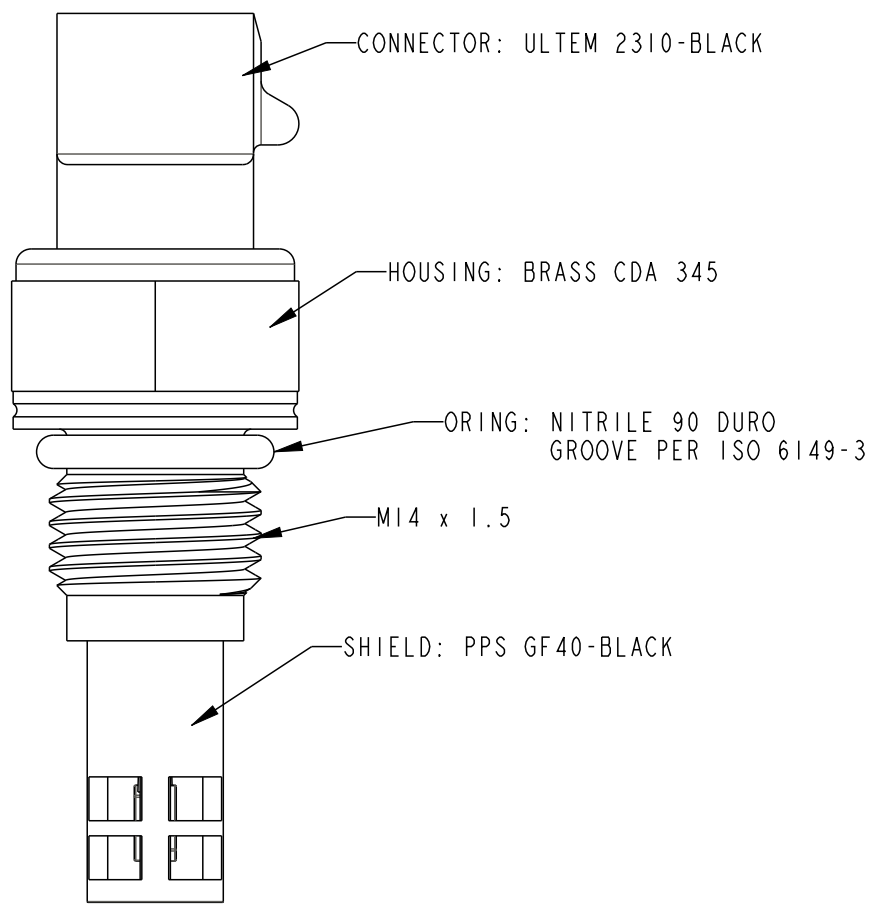
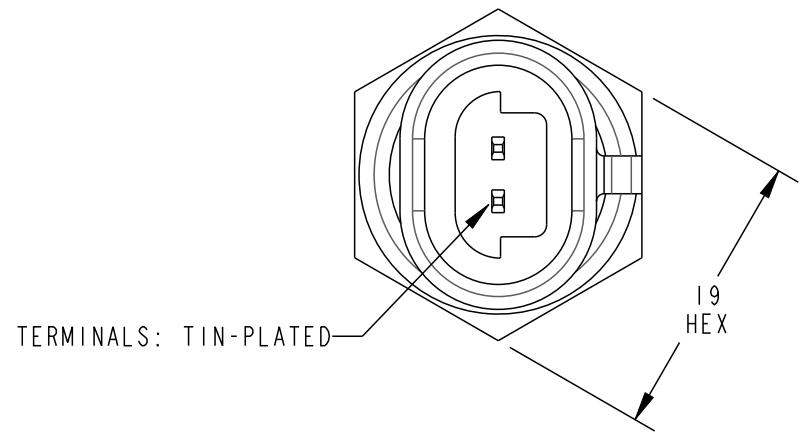
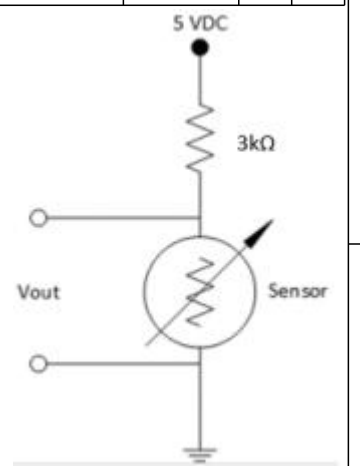
PROPRIETARY NOTICE: THE INFORMATION CONTAINED IN THIS DOCUMENT IS PROPRIETARY TO AMPHENOL AND SHALL NOT BE DISCLOSED IN WHOLE OR IN PART IN ANY FORM FOR ANY REASON EXCEPT AS EXPRESSLY STATED IN WRITING BY AMPHENOL.

NOTES:

1. CONTINUOUS OPERATING TEMPERATURE: -40°C TO 150°C
2. CONNECTOR: METRI-PACK 150.2 OR GT150 3.5mm  $\mathcal{C}$   
MATING APTIV(DELPHI) PART NUMBER: 12162193,15336004 OR EQUIVALANT
3. VOLTAGE: 5V

TEMP (°C)	RESISTANCE (OHMS)	RES TOL (±%)
-40°C	100865	4.67
25°C	2795	2.30
50°C	980.3	2.07
85°C	283.5	1.80
100°C	178.0	2.08
125°C	88.32	2.55
150°C	47.46	2.70

REVISIONS				
REV	REVISION HISTORY	DATE	DWN	APVD
A	INITIAL DRAFT	05/30/19	MED	STS



<b>Amphenol</b>		St. Marys, PA 15857	
Advanced Sensors			
TITLE: AIR TEMPERATURE SENSOR			
UNLESS OTHERWISE SPECIFIED DIMENSIONS ARE IN MM TOLERANCES ARE:		APPROVALS	DATE
.X ± 0.5	ANGLES ± 2°	DRAWN MED	05/30/19
.XX ± 0.25		CHECKED STS	05/30/19
DO NOT SCALE DRAWING		ENGR JJD	05/30/19
THIRD ANGLE PROJECTION		OC	
INTERPRET DRAWING IAW ASME Y14.5		MFG	
MATERIAL: SEE DRAWING			
SIZE B	DWG NO. GE-1665	REV A	
SCALE 2:1	SHEET 1 OF 1		

LEGAL NOTICE - THIS DRAWING AND ANY INTELLECTUAL PROPERTY RIGHTS THERE IN ARE PROPERTY OF AMPHENOL AND NO LICENSES ARE GRANTED UNDER THOSE RIGHTS.

4

3

2

1

## X-ON Electronics

Largest Supplier of Electrical and Electronic Components

*Click to view similar products for [Industrial Temperature Sensors](#) category:*

*Click to view products by [Amphenol](#) manufacturer:*

Other Similar products are found below :

[590-32AC34-103-WRI](#) [590-59CN02-103](#) [G9864ST22F0](#) [HEL-705-U-0-12-C1](#) [HEL-736-U-2-36](#) [HEL-717-U-0-24-00](#) [519-39AW09-245](#)  
[519-39CH01-295](#) [535-32AB36-202](#) [535-34AE08-303](#) [512-32AQ01-503](#) [521-33AG04-303](#) [521-53BR01-503](#) [E52P6DY4M](#) [535-34AE09-222](#)  
[590-32AC34-103](#) [590-32AD05-103](#) [HEL-705-U-0-36-00](#) [HEL-705-U-1-12-C2](#) [E52-CA6D-N 4M](#) [E52-P6DY 2M](#) [E52-P20C-N D=8](#) [E52-](#)  
[THE5A 100-200 2M](#) [HRTS-5760-B-T-0-18](#) [6655-71990001](#) [LTPCTGA20MBSIBX01](#) [LTPCTAA20MDSIEX01](#) [BB-HS-104T2505402](#)  
[NCP81255MNTXG](#) [HEL-707-T-1-24-00](#) [HEL-716-U-0-24-00](#) [USW2247](#) [R-11614-1](#) [RP103ST22P2](#) [R-10331-3F6](#) [E52-P20AY-D32 4M](#)  
[USW3361](#) [B57045K0222K000](#) [B57045K0154K000](#) [PPG102A6](#) [BB-WTJ-10-36-TT](#) [NB-PTCO-142](#) [B57045K0682K000](#) [R-1630](#) [R-8204](#) [R-](#)  
[8203](#) [E52-CA1GTY 1M](#) [SE031](#) [JS7352](#) [HRTS-5760-B-U-1-12](#)