

T H E R M O M E T R I C S
A C O M M I T M E N T T O E X C E L L E N C E

HVAC Refrigerant Temperature Sensor GE-1920 for Automotive Applications



The refrigeration temperature sensor measures the refrigerant temperature both at the high pressure side and at the low pressure side of the line. The control module uses this information to maximize the performance of the HVAC system.

Applications

- High pressure line temperature of the condenser and receiver/drier unit side
- Low pressure refrigeration line temperature measurement of the evaporator side
- Battery coolant temperature

Features

- High accuracy and long term stability
- Fast response time
- Integral connector
- Existing field proven design
- Alternate RvT curves available
- 100°C Max operating temperature
- Plated steel body
- Other resistance and beta values available



Amphenol
Advanced Sensors

GE-1920 Specifications

Operating Temperature Range
-40°C to 100°C (-40°F to 212°F)

Storage Temperature Range
-40°C to 125°C (-40°F to 257°F)

R @ 25°C (77°F)
2828Ω

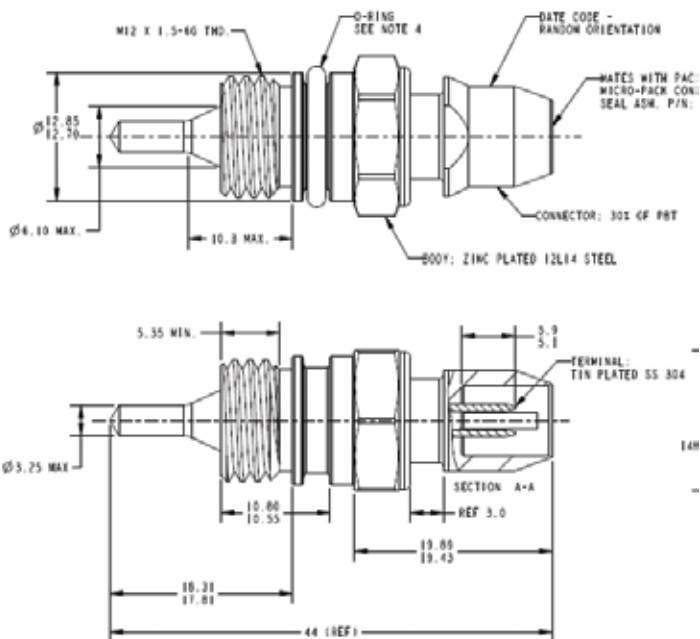
Response Time
<14 seconds

Housing Material
Plated Steel

Weight
~13.8 grams

Connector
Packard Electric Micro-Pack

Mating Connector
P/N 1209 2438



GE-1920 Dimensions

RvT Table			
Temp °C (°F)	RES. K OHMS		
	Min. (Ω)	Nom. (Ω)	Max (Ω)
-40 (-40°)	90.688	94.331	98.105
-20 (-4°)	26.565	27.377	28.209
0 (32°)	9.030	9.231	9.434
25 (77°)	2.791	2.828	2.865
60 (140°)	0.687	0.703	0.720
100 (212°)	0.186	0.192	0.198

Amphenol
Advanced Sensors

www.amphenol-sensors.com

X-ON Electronics

Largest Supplier of Electrical and Electronic Components

Click to view similar products for [Industrial Temperature Sensors](#) category:

Click to view products by [Amphenol](#) manufacturer:

Other Similar products are found below :

[590-32AC34-103-WRI](#) [590-59CN02-103](#) [G9864ST22F0](#) [HEL-705-U-0-12-C1](#) [HEL-736-U-2-36](#) [HEL-717-U-0-24-00](#) [519-39AW09-245](#)
[519-39CH01-295](#) [535-32AB36-202](#) [535-34AE08-303](#) [512-32AQ01-503](#) [521-33AG04-303](#) [521-53BR01-503](#) [E52P6DY4M](#) [535-34AE09-222](#)
[590-32AC34-103](#) [590-32AD05-103](#) [HEL-705-U-0-36-00](#) [HEL-705-U-1-12-C2](#) [E52-CA6D-N 4M](#) [E52-P6DY 2M](#) [E52-P20C-N D=8](#) [E52-](#)
[THE5A 100-200 2M](#) [HRTS-5760-B-T-0-18](#) [6655-71990001](#) [LTPCTGA20MBSIBX01](#) [LTPCTAA20MDSIEX01](#) [BB-HS-104T2505402](#)
[NCP81255MNTXG](#) [HEL-707-T-1-24-00](#) [HEL-716-U-0-24-00](#) [USW2247](#) [R-11614-1](#) [RP103ST22P2](#) [R-10331-3F6](#) [E52-P20AY-D32 4M](#)
[USW3361](#) [B57045K0222K000](#) [B57045K0154K000](#) [PPG102A6](#) [BB-WTJ-10-36-TT](#) [NB-PTCO-142](#) [B57045K0682K000](#) [R-1630](#) [R-8204](#) [R-](#)
[8203](#) [E52-CA1GTY 1M](#) [SE031](#) [JS7352](#) [HRTS-5760-B-U-1-12](#)