

4

3

2

DWG NO. GE-2093 SH 1 REV B

1

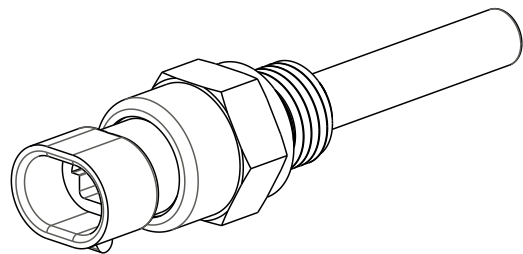
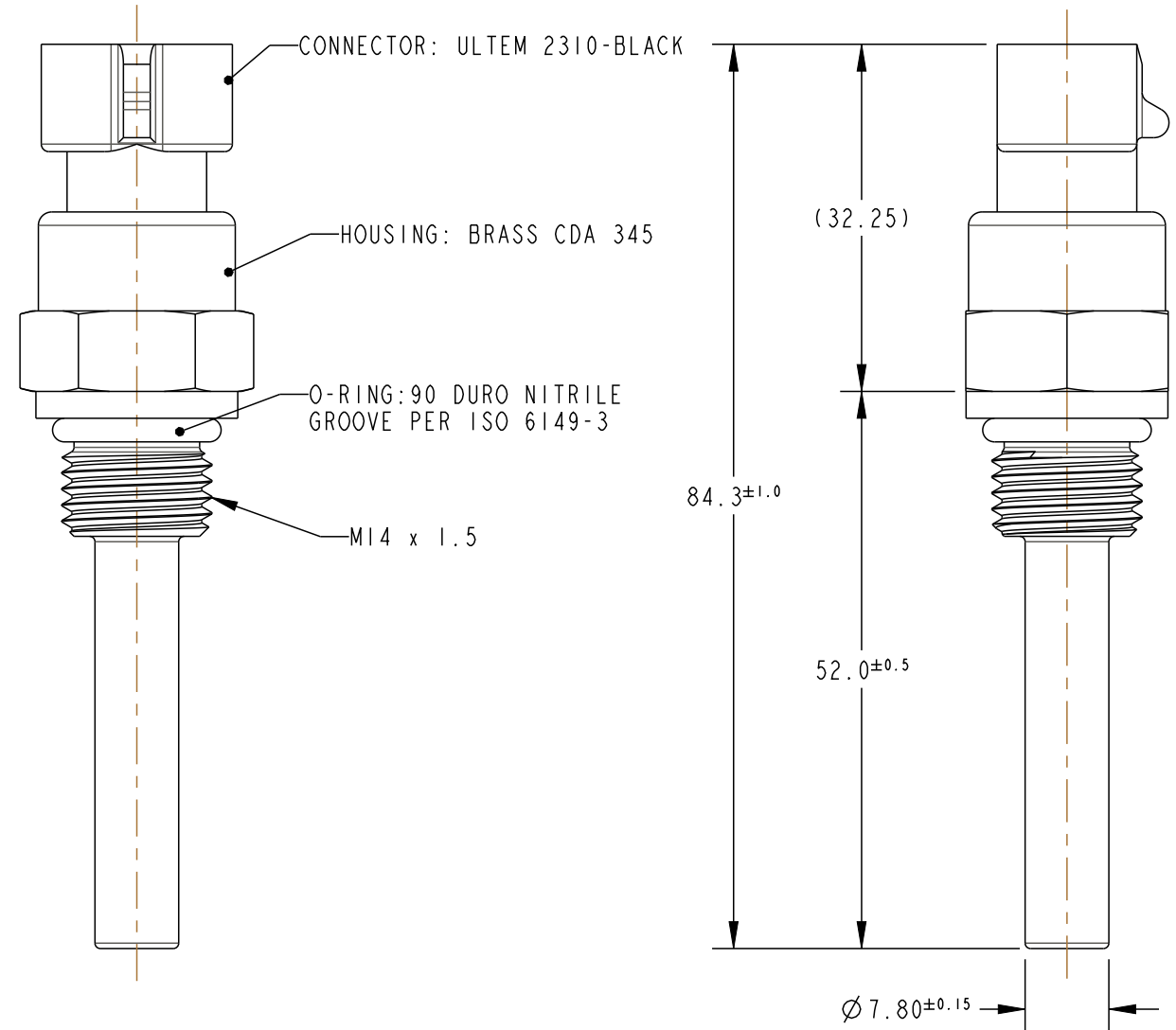
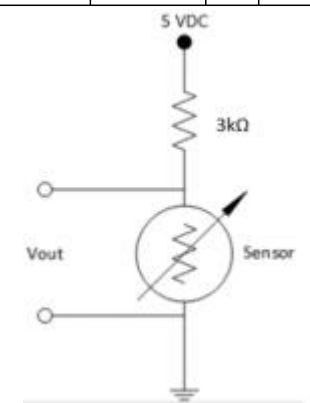
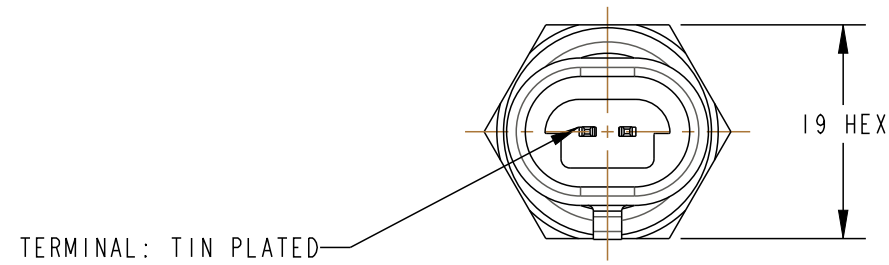
PROPRIETARY NOTICE: THE INFORMATION CONTAINED IN THIS DOCUMENT IS PROPRIETARY TO AMPHENOL AND SHALL NOT BE DISCLOSED IN WHOLE OR IN PART IN ANY FORM OR FOR ANY REASON EXCEPT AS EXPRESSLY STATED IN WRITING BY AMPHENOL.

NOTES:

- 1. CONTINUOUS OPERATING TEMPERATURE: -40° TO 150°C
- 2. CONNECTOR: METRI-PACK 150.2 OR GT150 3.5mm MATING APTIV(DELPHI) PART NUMBER: 12162193, 15336004 OR EQUIVELENT
- 3. VOLTAGER : 5V

| TEMP (°C) | RESISTANCE (OHMS) | RES TOL (+%) | RES TOL (-%) |
|-----------|-------------------|--------------|--------------|
| -40°C     | 101770            | 5.74         | 9.27         |
| 25°C      | 2820              | 5.15         | 4.86         |
| 50°C      | 988.1             | NOMINAL      |              |
| 100°C     | 179.6             | 2.82         | 2.51         |
| 125°C     | 89.11             | 2.96         | 3.46         |

| REVISIONS |                   |          |          |
|-----------|-------------------|----------|----------|
| REV       | REVISION HISTORY  | DATE     | DWN APVD |
| A         | INITIAL DRAFT     | 5/30/19  | MED STS  |
| B         | UPDATED RvT TABLE | 02/07/19 | JNJ STS  |



SCALE 1:1

**Amphenol**  
Advanced Sensors St. Marys, PA 15857

TITLE: FLUID TEMPERATURE SENSOR

|   |                 |              |
|---|-----------------|--------------|
| UNLESS OTHERWISE SPECIFIED DIMENSIONS ARE IN MM TOLERANCES ARE:<br>.X ± 0.5<br>.XX ± 0.25 | APPROVALS       | DATE         |
|   | DRAWN MED       | 05/30/2019   |
| ANGLES ± 2°   | CHECKED STS     | 05/30/2019   |
|   | ENGR JJD        | 05/30/2019   |
| THIRD ANGLE PROJECTION  | OC              |              |
| INTERPRET DRAWING LAW ASME Y14.5  | MFG             |              |
| MATERIAL SEE DRAWING  |                 |              |
| SIZE B  | DWG NO. GE-2093 | REV B        |
| SCALE 3:2   |                 | SHEET 1 OF 1 |

LEGAL NOTICE - THIS DRAWING AND ANY INTELLECTUAL PROPERTY RIGHTS THERE IN ARE PROPERTY OF AMPHENOL AND NO LICENSES ARE GRANTED UNDER THOSE RIGHTS.

4

3

2

1

## X-ON Electronics

Largest Supplier of Electrical and Electronic Components

*Click to view similar products for [Industrial Temperature Sensors](#) category:*

*Click to view products by [Amphenol](#) manufacturer:*

Other Similar products are found below :

[590-32AC34-103-WRI](#) [590-59CN02-103](#) [G9864ST22F0](#) [HEL-705-U-0-12-C1](#) [HEL-736-U-2-36](#) [HEL-717-U-0-24-00](#) [519-39AW09-245](#)  
[519-39CH01-295](#) [535-32AB36-202](#) [535-34AE08-303](#) [512-32AQ01-503](#) [521-33AG04-303](#) [521-53BR01-503](#) [E52P6DY4M](#) [535-34AE09-222](#)  
[590-32AC34-103](#) [590-32AD05-103](#) [HEL-705-U-0-36-00](#) [HEL-705-U-1-12-C2](#) [E52-CA6D-N 4M](#) [E52-P6DY 2M](#) [E52-P20C-N D=8](#) [E52-](#)  
[THE5A 100-200 2M](#) [HRTS-5760-B-T-0-18](#) [6655-71990001](#) [LTPCTGA20MBSIBX01](#) [LTPCTAA20MDSIEX01](#) [BB-HS-104T2505402](#)  
[NCP81255MNTXG](#) [HEL-707-T-1-24-00](#) [HEL-716-U-0-24-00](#) [USW2247](#) [R-11614-1](#) [RP103ST22P2](#) [R-10331-3F6](#) [E52-P20AY-D32 4M](#)  
[USW3361](#) [B57045K0222K000](#) [B57045K0154K000](#) [PPG102A6](#) [BB-WTJ-10-36-TT](#) [NB-PTCO-142](#) [B57045K0682K000](#) [R-1630](#) [R-8204](#) [R-](#)  
[8203](#) [E52-CA1GTY 1M](#) [SE031](#) [JS7352](#) [HRTS-5760-B-U-1-12](#)