

T H E R M O M E T R I C S
A C O M M I T M E N T T O E X C E L L E N C E

GE-2133

General Fluid Temperature Sensors



Thermometrics GE-2133 Series of General Fluid Temperature Sensors measures and monitors the temperature of a variety of fluids. The spring clip design secures the sensor in place and provides a quick means for installation and removal.

Applications

- Battery Coolant Temperature
- Refrigerant Temperature
- Outside Air Temperature
- Engine Coolant Temperature

Features

- Low price
- High sensitivity
- Wide application range
- Compact design
- Easy installation
- Validated to ISO 16750-Z-A-O-D-A IPK69K



Amphenol
Advanced Sensors

GE-2133 Specifications

Operating Temperature:

-40°F to 257°F (-40°C to 125°C)

Storage Temperature:

-40°F to 194°F (-40°C to 90°C)

Response time:

Less than 10 seconds in liquid; less than 25 seconds in air

	GE-2133	GE-2133A	GE-2133B
R25°C (77°F)	9,850 – 10,150 Ω	98,500 – 101,500 Ω	9,900 – 10,100 Ω
B(25/85)°C	3,957 - 3,990	4,222 - 4,281	3,401 - 3,470

Housing Material

Polyamide 6/6

Weight

3.4 grams

Mating Connector

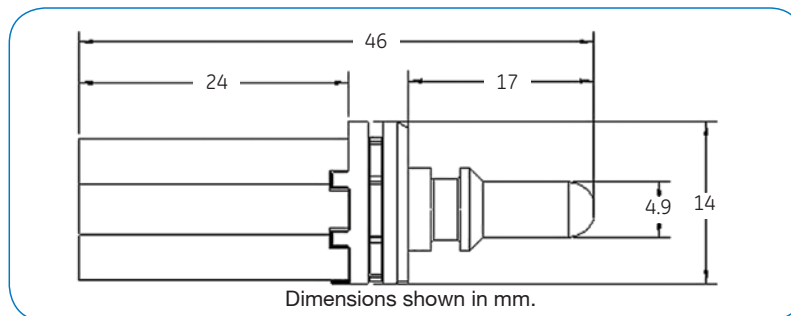
FEP 42831300 or Equivalent, USCAR 2 Way 1.2MM Sealed System per USCAR 120-S-002-1-Z02 KEY Option A, Mating Terminals to be Tin Plated

RvT Table*

GE-2133			GE-2133A			GE-2133B		
Temp. (°C)	Resistance (Ω)	Tolerance (+/-)	Temp. (°C)	Resistance (Ω)	Tolerance (+/-)	Temp. (°C)	Resistance (Ω)	Tolerance (+/-)
-40	332,776	5.95	-40	4,139,816	5.40	-40	209,587	4.10
-20	96,481	4.24	-20	1,117,630	4.00	-20	71,203	3.00
0	32,566	2.71	0	352,369	2.80	0	27,758	2.00
20	12,486	1.72	20	126,781	1.70	20	12,116	1.20
25	10,000	1.50	25	100,000	1.50	25	10,000	1.00
60	2,490	2.84	60	22,621	3.00	60	3,009	2.20
100	678.1	4.19	100	5,622.9	4.50	100	968.4	3.40
120	387.3	4.59	120	3,088.7	5.10	120	579.7	3.90
125	339.5	4.69	125	2,682.2	5.20	125	513.0	4.00

*RvT could be designed to typical customer requirements; size restrictions may apply.

Dimensions



Amphenol
Advanced Sensors

www.amphenol-sensors.com

© 2019 Amphenol Corporation. All Rights Reserved. Specifications are subject to change without notice. Other company names and product names used in this document are the registered trademarks or trademarks of their respective owners.

AAS-920-748A - 05/2019

X-ON Electronics

Largest Supplier of Electrical and Electronic Components

Click to view similar products for [Industrial Temperature Sensors](#) category:

Click to view products by [Amphenol](#) manufacturer:

Other Similar products are found below :

[590-32AC34-103-WRI](#) [590-59CN02-103](#) [G9864ST22F0](#) [HEL-705-U-0-12-C1](#) [HEL-736-U-2-36](#) [HEL-717-U-0-24-00](#) [519-39AW09-245](#)
[519-39CH01-295](#) [535-32AB36-202](#) [535-34AE08-303](#) [512-32AQ01-503](#) [521-33AG04-303](#) [521-53BR01-503](#) [E52P6DY4M](#) [535-34AE09-222](#)
[590-32AC34-103](#) [590-32AD05-103](#) [HEL-705-U-0-36-00](#) [HEL-705-U-1-12-C2](#) [E52-CA6D-N 4M](#) [E52-P6DY 2M](#) [E52-P20C-N D=8](#) [E52-](#)
[THE5A 100-200 2M](#) [HRTS-5760-B-T-0-18](#) [6655-71990001](#) [LTPCTGA20MBSIBX01](#) [LTPCTAA20MDSIEX01](#) [BB-HS-104T2505402](#)
[NCP81255MNTXG](#) [HEL-707-T-1-24-00](#) [HEL-716-U-0-24-00](#) [USW2247](#) [R-11614-1](#) [RP103ST22P2](#) [R-10331-3F6](#) [E52-P20AY-D32 4M](#)
[USW3361](#) [B57045K0222K000](#) [B57045K0154K000](#) [PPG102A6](#) [BB-WTJ-10-36-TT](#) [NB-PTCO-142](#) [B57045K0682K000](#) [R-1630](#) [R-8204](#) [R-](#)
[8203](#) [E52-CA1GTY 1M](#) [SE031](#) [JS7352](#) [HRTS-5760-B-U-1-12](#)