



T H E R M O M E T R I C S  
A C O M M I T M E N T T O E X C E L L E N C E

# GE-2142 HVAC Duct Temperature Sensor



Thermometrics GE-2142 HVAC Duct Temperature Sensors are OEM solutions for measuring the temperature of air in ventilation ducts. These sensors provide a signal output that is proportional to the duct air temperature. This signal can be used as an input to a controller that interprets the signal and adjusts outputs accordingly.

## Features

- Lead frame construction for a robust crimpless conductive path from the terminals to the NTC
- High accuracy
- High sensitivity and reliability
- Rugged thermoplastic housing
- Twist-and-lock installation
- Open element design for fast time response

## Automotive Applications

- HVAC Vent Temperature
- In-cabin Temperature

## Industrial Applications

- Air Temperature
- HVAC Airflow Monitoring
- Industrial Automation – Ambient environment and process monitoring.

**Amphenol**  
Advanced Sensors

# GE-2142 Specifications

**Weight:**  
2.4 grams

**R @ 25°C (77°F):**  
2,795 Ω (±2.50%)

**Operating Temperature:**  
-40° to 135°C (-40°F to 275°F)

**Beta (25/85) °C:**  
4073

**Storage Temperature:**  
-40° to 135°C (-40°F to 275°F)

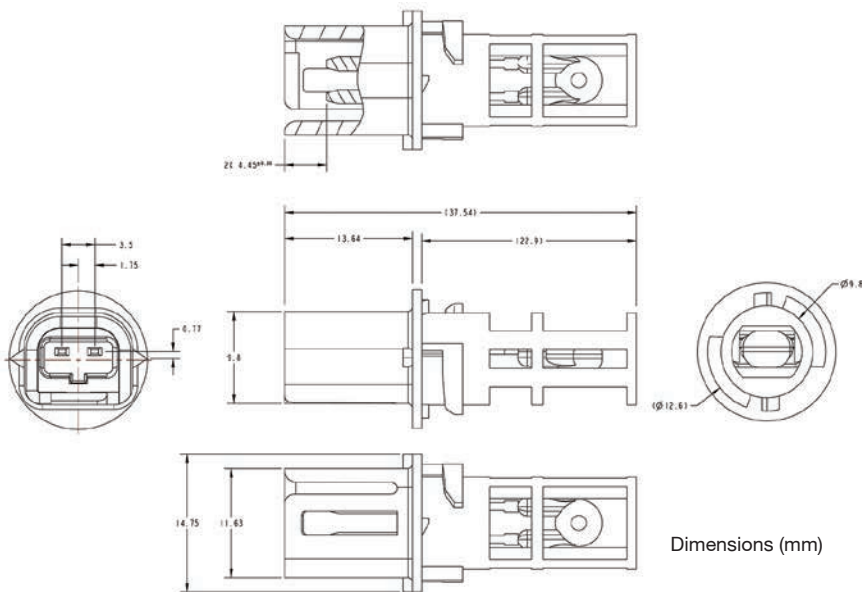
**Plastic:**  
Nylon 6/6

**Response Time:**  
< 5 seconds (in oil)

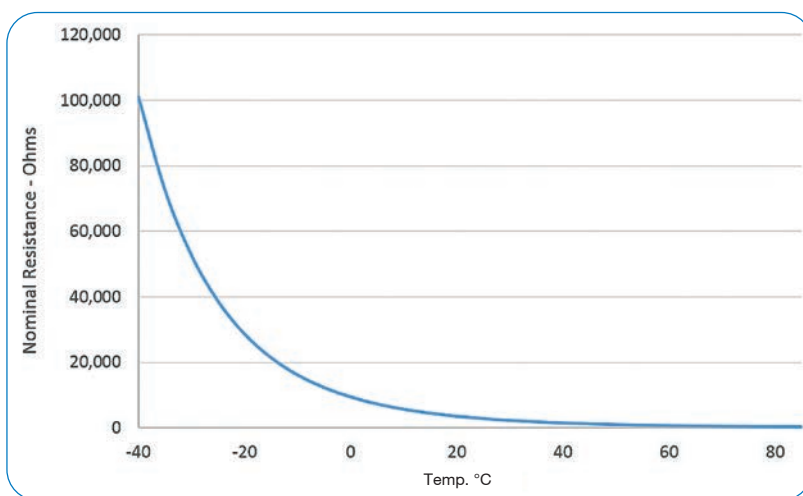
**Mating Connector:**  
P/N: 12047662

**Connection System:**  
Aptiv (Delphi) Metri-Pack 150  
Unsealed

## Dimensions



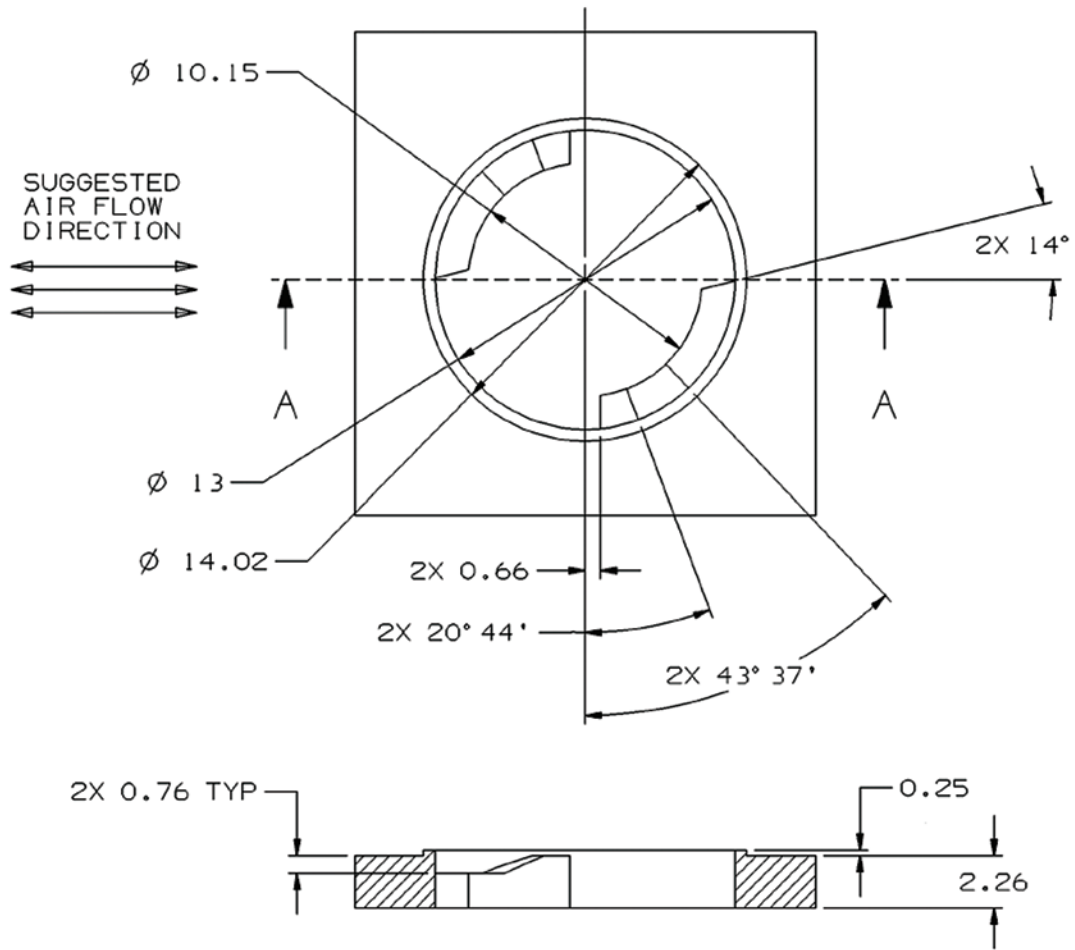
Temp. (°C)	Nominal Resistance	Resistance Tolerance ±%	Temp. Accuracy (±°C)
-40	100,865	4.87	0.72
-35	72,437	4.69	0.72
-30	52,594	4.51	0.72
-25	38,583	4.32	0.71
-20	28,582	4.14	0.70
-15	21,371	3.96	0.69
-10	16,120	3.78	0.68
-5	12,261	3.59	0.67
0	9,399.2	3.41	0.65
5	7,263.3	3.23	0.64
10	5,657.9	3.05	0.62
15	4,440.9	2.86	0.60
20	3,511.0	2.68	0.58
25	2,795.0	2.50	0.56
30	2,239.6	2.45	0.56
35	1,805.9	2.41	0.57
40	1,464.9	2.36	0.57
45	1,195.1	2.32	0.58
50	980.26	2.27	0.58
55	808.78	2.23	0.59
60	670.90	2.19	0.59
65	559.40	2.15	0.60
70	468.74	2.12	0.61
75	394.64	2.08	0.61
80	333.76	2.04	0.62
85	283.50	2.00	0.62
90	241.81	2.09	0.67
95	207.09	2.19	0.71
100	178.03	2.28	0.76
105	153.64	2.38	0.82
110	133.08	2.47	0.87
115	115.68	2.56	0.93
120	100.91	2.66	0.98
125	88.32	2.75	1.04
130	77.54	2.78	1.08
135	68.29	2.81	1.12



Nominal Resistance Ω

# GE-2142 Specifications - Continued

## Mounting Hole





## X-ON Electronics

Largest Supplier of Electrical and Electronic Components

*Click to view similar products for [Industrial Temperature Sensors](#) category:*

*Click to view products by [Amphenol](#) manufacturer:*

Other Similar products are found below :

[590-32AC34-103-WRI](#) [590-59CN02-103](#) [G9864ST22F0](#) [HEL-705-U-0-12-C1](#) [HEL-736-U-2-36](#) [HEL-717-U-0-24-00](#) [519-39AW09-245](#)  
[519-39CH01-295](#) [535-32AB36-202](#) [535-34AE08-303](#) [512-32AQ01-503](#) [521-33AG04-303](#) [521-53BR01-503](#) [E52P6DY4M](#) [535-34AE09-222](#)  
[590-32AC34-103](#) [590-32AD05-103](#) [HEL-705-U-0-36-00](#) [HEL-705-U-1-12-C2](#) [E52-CA6D-N 4M](#) [E52-P6DY 2M](#) [E52-P20C-N D=8](#) [E52-](#)  
[THE5A 100-200 2M](#) [HRTS-5760-B-T-0-18](#) [6655-71990001](#) [LTPCTGA20MBSIBX01](#) [LTPCTAA20MDSIEX01](#) [BB-HS-104T2505402](#)  
[NCP81255MNTXG](#) [HEL-707-T-1-24-00](#) [HEL-716-U-0-24-00](#) [USW2247](#) [R-11614-1](#) [RP103ST22P2](#) [R-10331-3F6](#) [E52-P20AY-D32 4M](#)  
[USW3361](#) [B57045K0222K000](#) [B57045K0154K000](#) [PPG102A6](#) [BB-WTJ-10-36-TT](#) [NB-PTCO-142](#) [B57045K0682K000](#) [R-1630](#) [R-8204](#) [R-](#)  
[8203](#) [E52-CA1GTY 1M](#) [JS7352](#) [HRTS-5760-B-U-1-12](#) [JI-F103WN-L301](#)