

4

3

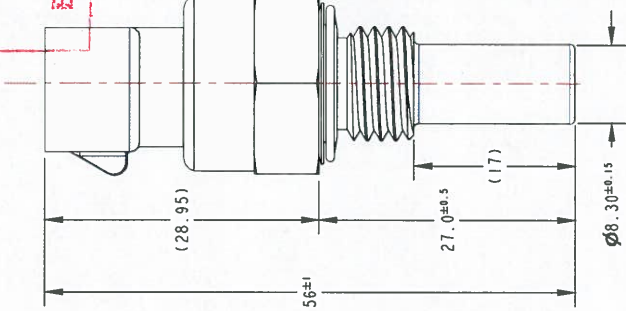
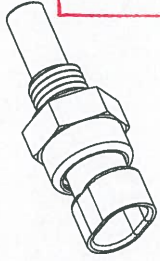
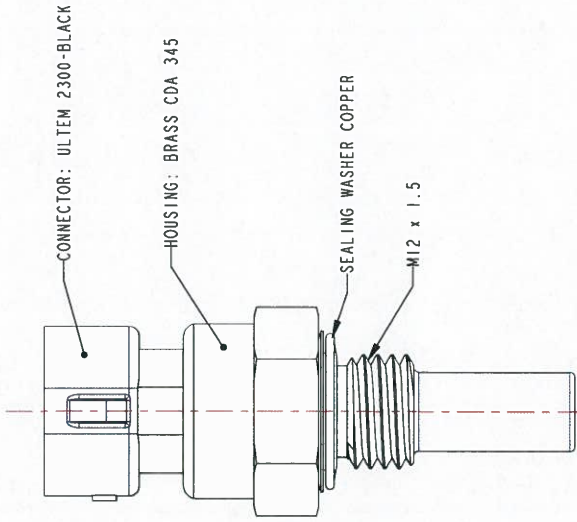
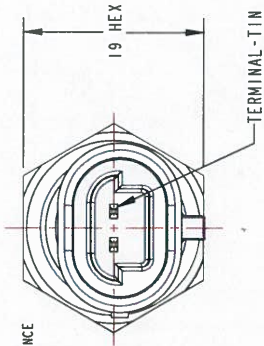
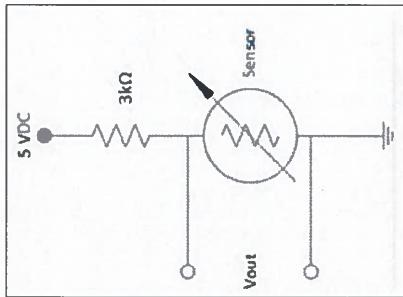
2

1

PROPRIETARY NOTICE: THE INFORMATION CONTAINED IN THIS DOCUMENT IS PROPRIETARY TO AMPHENOL AND SHALL NOT BE DISCLOSED IN WHOLE OR IN PART IN ANY FORM OR FOR ANY REASON EXCEPT AS EXPRESSLY STATED IN WRITING BY AMPHENOL.

NOTES:

- 1. CONTINUOUS OPERATING TEMPERATURE -40°C TO 150°C
- 2. CONNECTOR: METRI-PACK 150.2 OR GT150 3.5mm  $\phi$  MATING AP71V(DPH1) NUMBER:12162193,15336004, OR EQUIVILANT
- 3. VOLTAGE: 5V
- 4. SENSOR INSTALLATION TORQUE: TIGHTEN PROBES TO 20Nm TO 25Nm REFERENCE
- 5. LOCTITE 503,516 OR 517 THREAD SEALANT APPLIED TO THE THREADS



PRINT REVIEW APPROVED

BY MED DATE 6-7-19

TEMP (°C)	RESISTANCE (OHMS)	RES TOL (±%)	REV	REVISION HISTORY	DATE	DWN	APVD
-40	100865	4.87	A	INITIAL RELEASE	06/01/18	MED	JD
25	2795	2.50	B	85°C WAS 80°C ADDED 128°C ROW	11/01/18	MED	JD
50	980.3	2.27	C	ADDED NOTES #4 & #5	11/29/18	MED	JD
85	283.5	2.00	D	ADDED NOTES-ULTEM 2300-BLACK WAS BELOW 16 OF 338 27.817-5085 27.818.137-15 THIS 3.36	5/30/19	MED	STS
125	88.3	2.75					
128	81.7	2.77					
150	47.5	2.90					

**Amphenol**  
Advanced Sensors  
St. Marys, PA 15857

FLUID TEMPERATURE SENSOR

UNLESS OTHERWISE SPECIFIED DIMENSIONS ARE IN MM TOLERANCES ARE:		APPROVALS	DATE
X ± 0.5	ANGLES ± 2°	DRAWN DAM/MED	06/01/18
.XX ± 0.25		CHECKED STS	06/01/2018
DO NOT SCALE DRAWING		ENGR JD	06/01/2018
THIRD ANGLE	PROJECTION		
INTERPRET DRAWING IN ACC. TO ASME Y14.5			
MATERIAL SEE DRAWING			

SIZE	DWG NO.	REV	SHEET 1 OF 1
B	GE-2157	D	
SCALE			

LEGAL NOTICE - THIS DRAWING AND ANY INTELLECTUAL PROPERTY RIGHTS THEREIN ARE PROPERTY OF AMPHENOL AND NO LICENSES ARE GRANTED UNDER THESE RIGHTS.

4

3

2

1

## X-ON Electronics

Largest Supplier of Electrical and Electronic Components

*Click to view similar products for [Industrial Temperature Sensors](#) category:*

*Click to view products by [Amphenol](#) manufacturer:*

Other Similar products are found below :

[590-32AC34-103-WRI](#) [590-59CN02-103](#) [G9864ST22F0](#) [HEL-705-U-0-12-C1](#) [HEL-736-U-2-36](#) [HEL-717-U-0-24-00](#) [519-39AW09-245](#)  
[519-39CH01-295](#) [535-32AB36-202](#) [535-34AE08-303](#) [512-32AQ01-503](#) [521-33AG04-303](#) [521-53BR01-503](#) [E52P6DY4M](#) [535-34AE09-222](#)  
[590-32AC34-103](#) [590-32AD05-103](#) [HEL-705-U-0-36-00](#) [HEL-705-U-1-12-C2](#) [E52-CA6D-N 4M](#) [E52-P6DY 2M](#) [E52-P20C-N D=8](#) [E52-](#)  
[THE5A 100-200 2M](#) [HRTS-5760-B-T-0-18](#) [6655-71990001](#) [LTPCTGA20MBSIBX01](#) [LTPCTAA20MDSIEX01](#) [BB-HS-104T2505402](#)  
[NCP81255MNTXG](#) [HEL-707-T-1-24-00](#) [HEL-716-U-0-24-00](#) [USW2247](#) [R-11614-1](#) [RP103ST22P2](#) [R-10331-3F6](#) [E52-P20AY-D32 4M](#)  
[USW3361](#) [B57045K0222K000](#) [B57045K0154K000](#) [PPG102A6](#) [BB-WTJ-10-36-TT](#) [NB-PTCO-142](#) [B57045K0682K000](#) [R-1630](#) [R-8204](#) [R-](#)  
[8203](#) [E52-CA1GTY 1M](#) [SE031](#) [JS7352](#) [HRTS-5760-B-U-1-12](#)