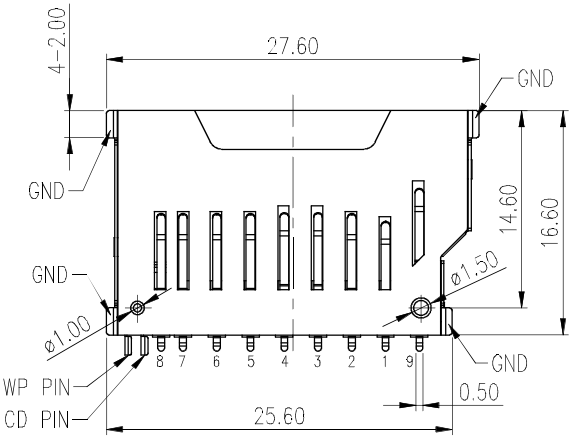
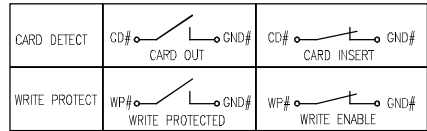
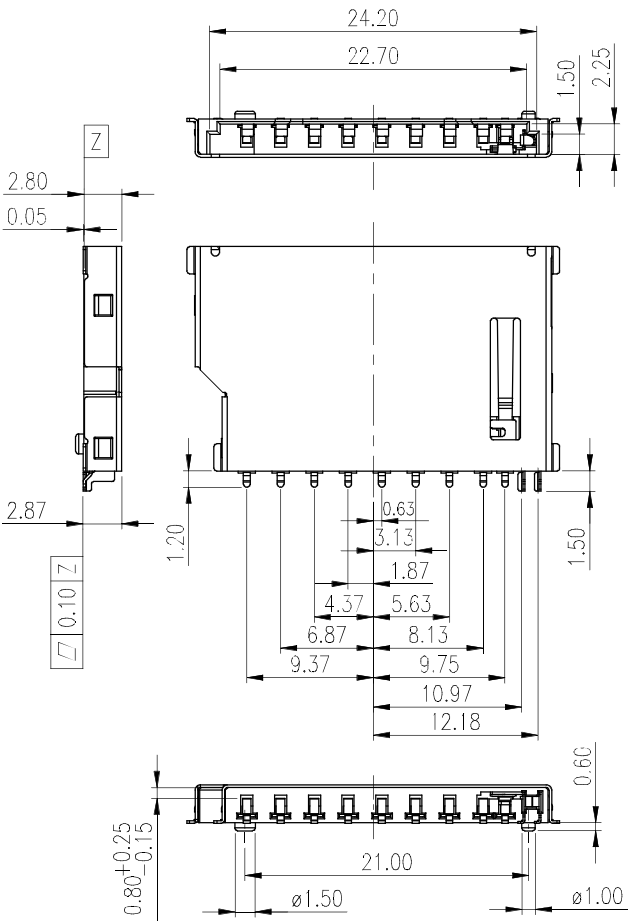


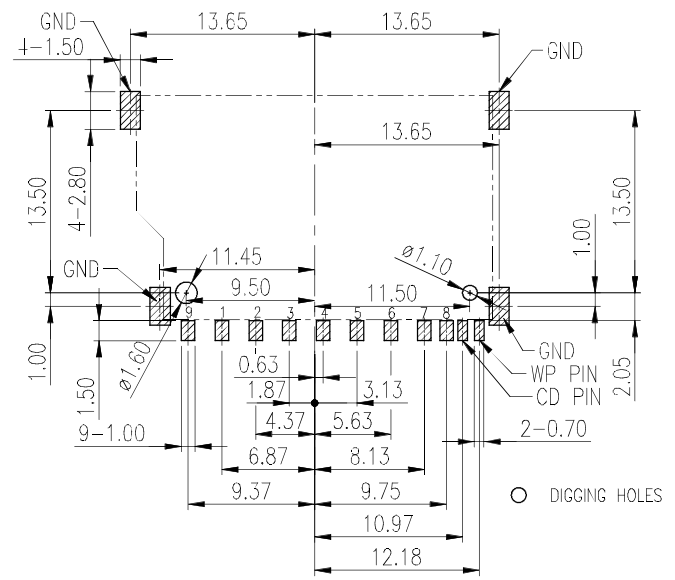
This document is the property of Amphenol Corporation and is delivered on the express condition that it is not to be disclosed, reproduced or used, in whole or in part, for manufacture or sale by anyone other than Amphenol Corporation without its prior consent, and that no right is granted to disclose or to use any information in this document.

The marking on this product doesn't contain environmental hazardous materials per Material Specification 55-00259 for Sony GP compliant or per directive 2011/65/EU for RoHS compliant.

| REVISIONS | | | | |
|-----------|-----------|----------------------|------------|------------|
| SYM | ECN No. | DESCRIPTION | DATE | APPROVED |
| AX1 | EDSR#6970 | NON-RELEASE REVISION | 12/29/2016 | Roger Tsai |
| AX2 | EDSP#7421 | UPDATE DIMENSION | 05/12/2017 | Roger Tsai |
| AX3 | EDSR#7616 | REMOVE ROUTE KEEPOUT | 07/11/2017 | Roger Tsai |
| AX4 | EDSR#7889 | ADD PACKAGE | 09/14/2017 | Roger Tsai |

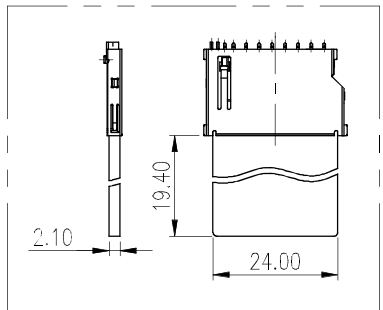


- NOTES:**
- MATERIAL:**
HOUSING: HIGH TEMPERATURE THERMAL PLASTIC LCP, UL94V-0, COLOR: BLACK.
TERMINAL: COPPER ALLOY.
SHELL: STAINLESS STEEL.
 - FINISH:**
TERMINAL:
CONTACT AREA: GOLD PLATING OPTION;
SOLDERING AREA: TIN PLATING 100 μm THICKNESS MIN.;
UNDER PLATING: NICKEL PLATING 50 μm THICKNESS MIN. OVERALL.
SHELL: GOLD FLASH ON SOLDERING PAD.
NICKEL PLATING 50 μm THICKNESS MIN. OVERALL.
 - PACKING IS PER AMTA PACKING SPECIFICATION PKS-0001.
 - THIS PRODUCT IS HALOGEN-FREE PRODUCT.



| SD CARD PIN ASSIGNMENT | | |
|------------------------|---------|----------------------|
| Pin NO. | Name | Description |
| 1# | CD/DAT3 | Card detect/data I/O |
| 2# | CMD | Command |
| 3# | VSS1 | Ground |
| 4# | VDD | Power |
| 5# | CLK | Clock |
| 6# | VSS2 | Ground |
| 7# | DAT0 | Data I/O |
| 8# | DAT1 | Data I/O |
| 9# | DAT2 | Data I/O |

RECOMMEND P.C.BOARD LAYOUT
PCB TOLERANCE: ±0.05



PART NO. GMC02008 X HR

CONTACT FINISH
0: GOLD FLASH
1: 5 μm GOLD
2: 10 μm GOLD
3: 15 μm GOLD

| TOLERANCE | APPROVALS | DATE | TITLE |
|-------------|---------------------|--------------------|-----------------------------------|
| X. ±0.30 | DRAWN Karen Su | 09/14/2017 | GMC SERIES 2 IN 1 CONN. SD+MMC |
| X.XX ±0.20 | CHECKED Aqua Chou | 09/14/2017 | |
| X.XXX ±0.10 | APPROVED Roger Tsai | 09/14/2017 | |
| ANGULAR ±1° | DWG TYPE CUST DWG | PROJECT CODE OTHER | |

Amphenol®
Amphenol Corporation
Amphenol Taiwan Corporation

PART No. GMC02008XHR
REV. AX4

UNIT mm SIZE A3
SCALE NA SHEET 1 OF 2

DWG No. GMC02008XHR

X-ON Electronics

Largest Supplier of Electrical and Electronic Components

Click to view similar products for [Memory Card Connectors](#) category:

Click to view products by [Amphenol](#) manufacturer:

Other Similar products are found below :

[M10-597810-355](#) [M21-033321-005](#) [6426-201-21343](#) [69.920.0553.0](#) [MCR60A-98D-2.54DSA\(70\)](#) [FCN-568P068-G/07-4V](#) [809180410000000](#)
[95622-003LF](#) [DM3AT-SF-PEJM5\(41\)](#) [EN2997S72039F6](#) [N7E50-7516PG-20-WF](#) [IC11S-BUR-PNEJL\(71\)](#) [NX30TA-15PAA\(50\)](#) [21920-5](#)
[2041353-2](#) [FUA006-3220-0](#) [33CFAE-DN](#) [MI21A-50PD-SF-EJR\(91\)](#) [502431-1011](#) [5175651-2](#) [10-247926-166](#) [EN2997S02039B8](#)
[EN2997S61212BN](#) [EN2997S72039B6](#) [EN2997SE02039B8](#) [EN2997SE61212BN](#) [EN2997SE72039B6](#) [71-252718-32P](#) [NX1-32T-KT3K\(05\)](#)
[95622-003LF](#) [91-570124-15P](#) [192900-0488](#) [DM1AA-SF-PEJ](#) [95079-00CALF](#) [84648-056HLF](#) [68-580163-21S](#) [33DVIR-29S12R](#)
[SF58S006VBRR2000](#) [93-570123-08P](#) [GMC020080HR](#) [125A-78C00](#) [1010040575#](#) [MI20A-50PD-SF-EJL\(71\)](#) [KP10S-SF-PEJ\(812\)](#)
[DM1AA-SF-PEJ\(31\)](#) [FO-10GGBLCX20-002](#) [504536-0691](#) [115S-ACA2](#) [115S-ACA3](#) [115S-BS00](#)