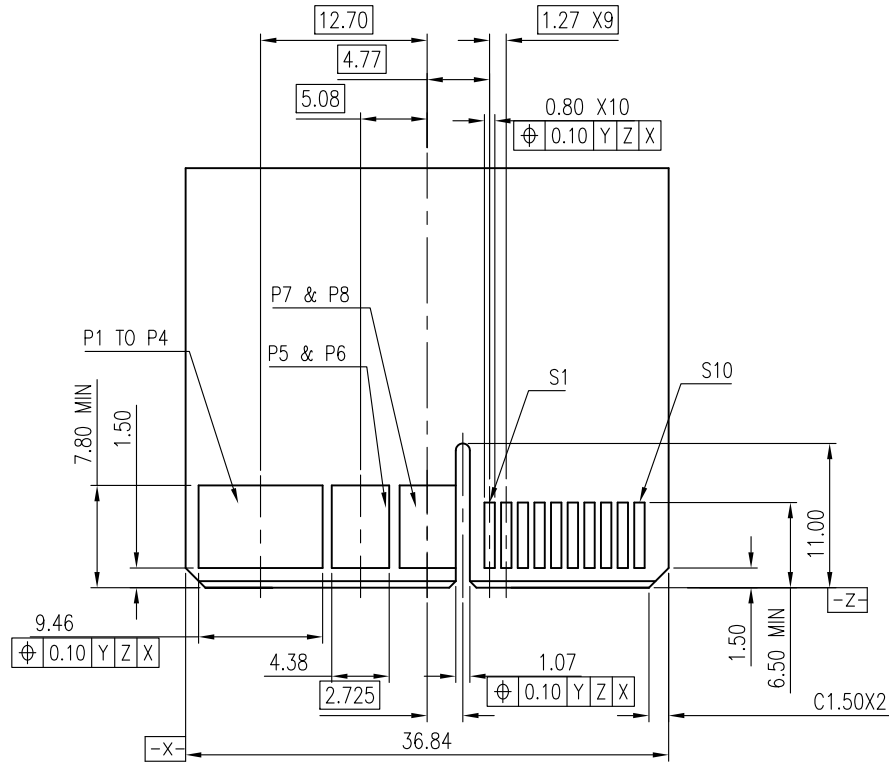


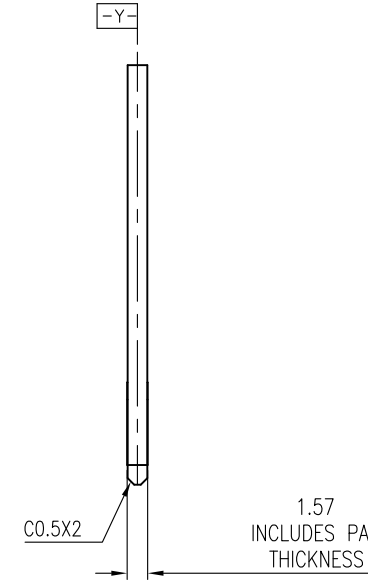
on the express condition that it is not to be disclosed, reproduced or used, in whole or in part, for manufacture or sale by anyone other than Amphenol Corporation without its prior consent, and that no right is granted to disclose or to use any information in this document.

The marking on this product doesn't contain environmental hazardous material and must follow one or more specifications per Material Specification SS-00259 for Sony GP compliant or per directive 2002/95/EC for RoHS compliant or per IEC 61249-2-21 for Halogen Free compliant.

REVISIONS				
SYM	ECN No.	DESCRIPTION	DATE	BY
AX5		UPDATE	08/23/2011	Chenny Yeh
AX6		UPDATE	09/08/2011	Chenny Yeh
AX7		ADD DATE CODE	10/11/2011	Chenny Yeh
AX8		UPDATE	12/27/2011	Chenny Yeh
AX9		UPDATE	02/06/2012	Chenny Yeh
AX10		UPDATE	02/08/2012	Chenny Yeh



RECOMMENDED MATING BOARD FOOTPRINT

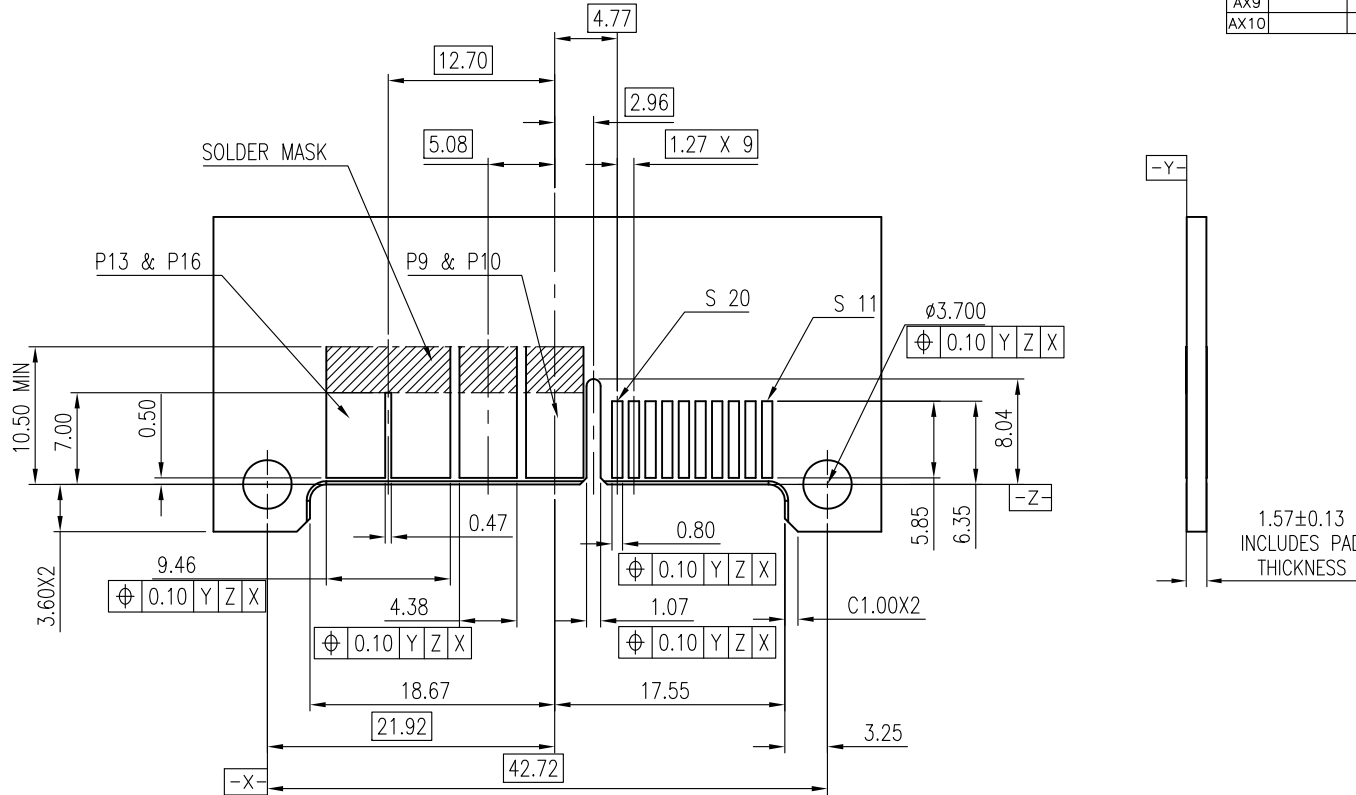


TOLERANCE		DRAWN	APPROVALS	DATE	TITLE	UNIT		SIZE	PART No.
X.					ENERGY EDGE 16P-24S RECEPTACLE,STRADDLE TYPE	mm	A3		GPCE4X16201HR
X.X	±0.30	DESIGNED				SCALE	SHEET	DWG No.	
X.XX	±0.20	CHECKED				NA	2 OF 3	GPCE4X16201HR	REV.
X.XXX	±0.10	APPROVED						AX10	
ANGULAR	±2°	DWG TYPE	CUST DWG	PROJECT CODE					
UNLESS OTHERWISE SPECIFIED				T522					

This document is the property of Amphenol Corporation and is delivered on the express condition that it is not to be disclosed, reproduced or used, in whole or in part, for manufacture or sale by anyone other than Amphenol Corporation without its prior consent, and that no right is granted to disclose or to use any information in this document.

The marking on this product doesn't contain environmental hazardous material and must follow one or more specifications per Material Specification SS-00259 for Sony GP compliant or per directive 2002/95/EC for RoHS compliant or per IEC 61249-2-21 for Halogen Free compliant.

REVISIONS				
SYM	ECN No.	DESCRIPTION	DATE	BY
AX5		UPDATE	08/23/2011	Chenny Yeh
AX6		UPDATE	09/08/2011	Chenny Yeh
AX7		ADD DATE CODE	10/11/2011	Chenny Yeh
AX8		UPDATE	12/27/2011	Chenny Yeh
AX9		UPDATE	02/06/2012	Chenny Yeh
AX10		UPDATE	02/08/2012	Chenny Yeh



TOLERANCE	DRAWN	APPROVALS	DATE	TITLE	ENERGY EDGE 16P-24S RECEPTACLE,STRADDLE TYPE		Amphenol® Amphenol Corporation Amphenol Taiwan Corporation		
X. X.X ±0.30 X.XX ±0.20 X.XXX ±0.10	DESIGNED								
ANGULAR ±2°	CHECKED								
UNLESS OTHERWISE SPECIFIED	APPROVED								
	DWG TYPE	CUST DWG	PROJECT CODE	T522		UNIT	mm	SIZE	A3
						SCALE	NA	SHEET	3 OF 3
						PART No.	GPCE4X16201HR		
						DWG No.	GPCE4X16201HR	REV.	AX10

X-ON Electronics

Largest Supplier of Electrical and Electronic Components

Click to view similar products for [Power to the Board](#) category:

Click to view products by [Amphenol](#) manufacturer:

Other Similar products are found below :

[6450171-4](#) [6450552-7](#) [6600323-8](#) [6643429-1](#) [6646040-2](#) [6651939-1](#) [6766604-1](#) [120959-1](#) [1393557-2](#) [1393532-2](#) [1393532-3](#) [1393532-4](#)
[1393557-1](#) [1600812-5](#) [1-6450861-2](#) [1744132-7](#) [1761122-1](#) [1766250-1](#) [1892109-1](#) [2-6450860-5](#) [2-6450870-0](#) [1-6450161-4](#) [1-6450850-6](#) [1-](#)
[6450869-6](#) [1645526-2](#) [1-6600130-0](#) [2005243-2](#) [TE34-12-16P-F0](#) [5-6450830-6](#) [5646956-4](#) [4-6450830-9](#) [4-6600333-3](#) [10125416-4050LF](#)
[6600320-3](#) [3-6450860-5](#) [1888123-2](#) [6450166-1](#) [6643978-1](#) [6766605-1](#) [N11444](#) [6651938-1](#) [6450810-7](#) [46437-1112](#) [1-1589677-8](#) [5646956-5](#)
[6450813-2](#) [6450129-4](#) [1645523-1](#) [PSS-06-01-T-S](#) [0465621864](#)