

This document is the property of Amphenol Corporation and is delivered on the express condition that it is not to be disclosed, reproduced or used, in whole or in part, for manufacture or sale by anyone other than Amphenol Corporation without its prior consent, and that no right is granted to disclose or to use any information in this document.

The marking on this product doesn't contain environmental hazardous material and must follow one or more specifications per Material Specification SS-00259 for Sony GP compliant or per directive 2002/95/EC for RoHS compliant or per IEC 61249-2-21 for Halogen Free compliant.

REVISIONS				
SYM	ECN No.	DESCRIPTION	DATE	BY
A	NE-12019	RELEASE TO PRODUCTION	02/14/2012	Chenny Yeh

P/N SYSTEM:
GPCE X X X X X X 1 X HR

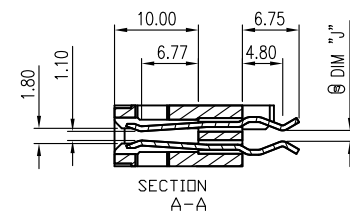
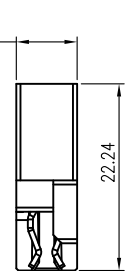
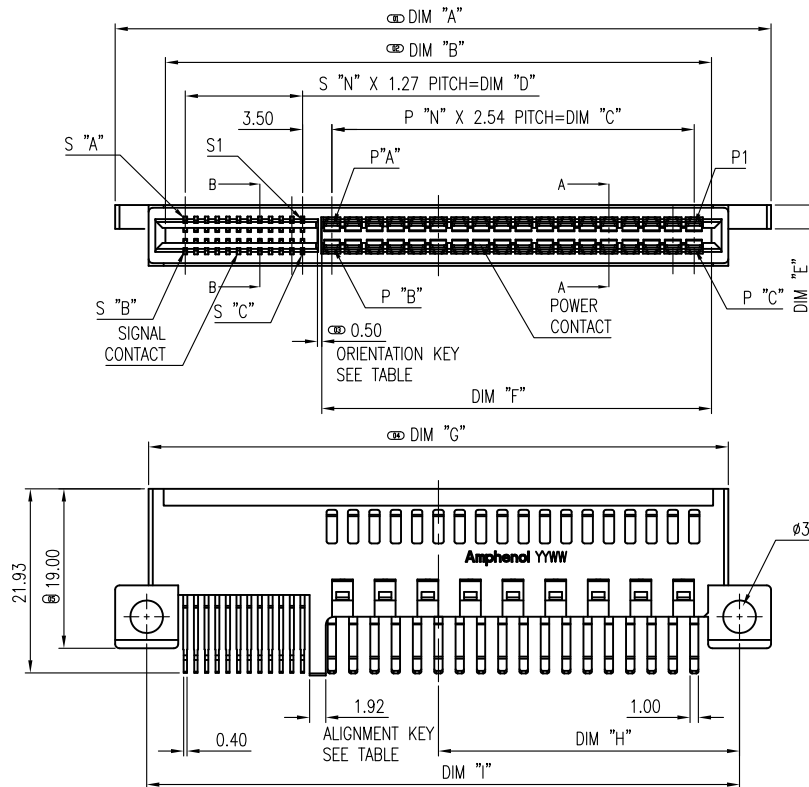
SERIES TYPE:
4: STRADDLE TYPE FOR 1.57 PCB
5: STRADDLE TYPE FOR 2.16 PCB

CONTACT FINISH:
0: GOLD FLASH
1: 5u" GOLD
2: 10u" GOLD
3: 15u" GOLD
4: 30u" GOLD

POWER PIN Q'TY:
36: 36 PIN
56: 56 PIN

VARIATION CODE:
BLANK: STANDARD
1: WITHOUT ORIENTATION KEY
WITHOUT ALIGNMENT KEY
2: WITH ORIENTATION KEY
WITHOUT ALIGNMENT KEY
3: WITHOUT ORIENTATION KEY
WITH ALIGNMENT KEY

SIGNAL PIN Q'TY:
24: 24 PIN



NOTES:

- MATERIAL:**
HOUSING: HIGH TEMPERATURE THERMO PLASTIC UL94V-0 COLOR BLACK
TERMINAL: HIGH PERFORMANCE COPPER ALLOY
- FINISH:**
TERMINAL:
CONTACT AREA: SELECTIVE GOLD PL.
SOLDERING AREA: MATT TIN PL. 120 μ" THK MIN.
UNDER PL.: NICKEL PL. 50 μ" THK MIN.
- THIS PRODUCT DOESN'T CONTAIN ENVIRONMENTAL HAZARDOUS MATERIALS PER DIRECTIVE 2002/95/EC FOR RoHS AND PER IEC 61249-2-21 FOR HALOGEN FREE COMPLIANT.
- THE DIMENSIONS MARKED (ND) WILL BE CHECKED BY Q.C. AND PROCESS ENGINEERS.

PART NUMBER	ORIENTATION KEY	ALIGNMENT KEY	P "N"	S "N"	DIM "A"	DIM "B"	DIM "C"	DIM "D"	DIM "E"	DIM "F"	DIM "G"	DIM "H"	DIM "I"	DIM "J"	DIM "K"	P "A"	P "B"	P "C"	S "A"	S "B"	S "C"
GPCE4X562413HR	NO	YES	27	11	103.56	90.48	68.58	13.97	2.85	71.85	94.48	48.59	96.06	1.30	1.30	P28	P29	P56	S12	S13	S24
GPCE4X562412HR	YES	NO	27	11	103.56	90.48	68.58	13.97	2.85	71.85	94.48	48.59	96.06	1.30	1.30	P28	P29	P56	S12	S13	S24
GPCE4X562411HR	NO	NO	27	11	103.56	90.48	68.58	13.97	2.85	71.85	94.48	48.59	96.06	1.30	1.30	P28	P29	P56	S12	S13	S24
GPCE4X36241HR	YES	YES	27	11	103.56	90.48	68.58	13.97	2.85	71.85	94.48	48.59	96.06	1.30	1.30	P28	P29	P56	S12	S13	S24
GPCEX362413HR	NO	YES	17	11	78.16	65.08	43.18	13.97	2.55	46.45	69.08	35.89	70.66	1.89	1.89	P18	P19	P36	S12	S13	S24
GPCEX362412HR	YES	NO	17	11	78.16	65.08	43.18	13.97	2.55	46.45	69.08	35.89	70.66	1.89	1.89	P18	P19	P36	S12	S13	S24
GPCEX362411HR	NO	NO	17	11	78.16	65.08	43.18	13.97	2.55	46.45	69.08	35.89	70.66	1.89	1.89	P18	P19	P36	S12	S13	S24
GPCEX36241HR	YES	YES	17	11	78.16	65.08	43.18	13.97	2.55	46.45	69.08	35.89	70.66	1.89	1.89	P18	P19	P36	S12	S13	S24
GPCE4X362413HR	NO	YES	17	11	78.16	65.08	43.18	13.97	2.85	46.45	69.08	35.89	70.66	1.30	1.30	P18	P19	P36	S12	S13	S24
GPCE4X362412HR	YES	NO	17	11	78.16	65.08	43.18	13.97	2.85	46.45	69.08	35.89	70.66	1.30	1.30	P18	P19	P36	S12	S13	S24
GPCE4X362411HR	NO	NO	17	11	78.16	65.08	43.18	13.97	2.85	46.45	69.08	35.89	70.66	1.30	1.30	P18	P19	P36	S12	S13	S24
GPCE4X36241HR	YES	YES	17	11	78.16	65.08	43.18	13.97	2.85	46.45	69.08	35.89	70.66	1.30	1.30	P18	P19	P36	S12	S13	S24

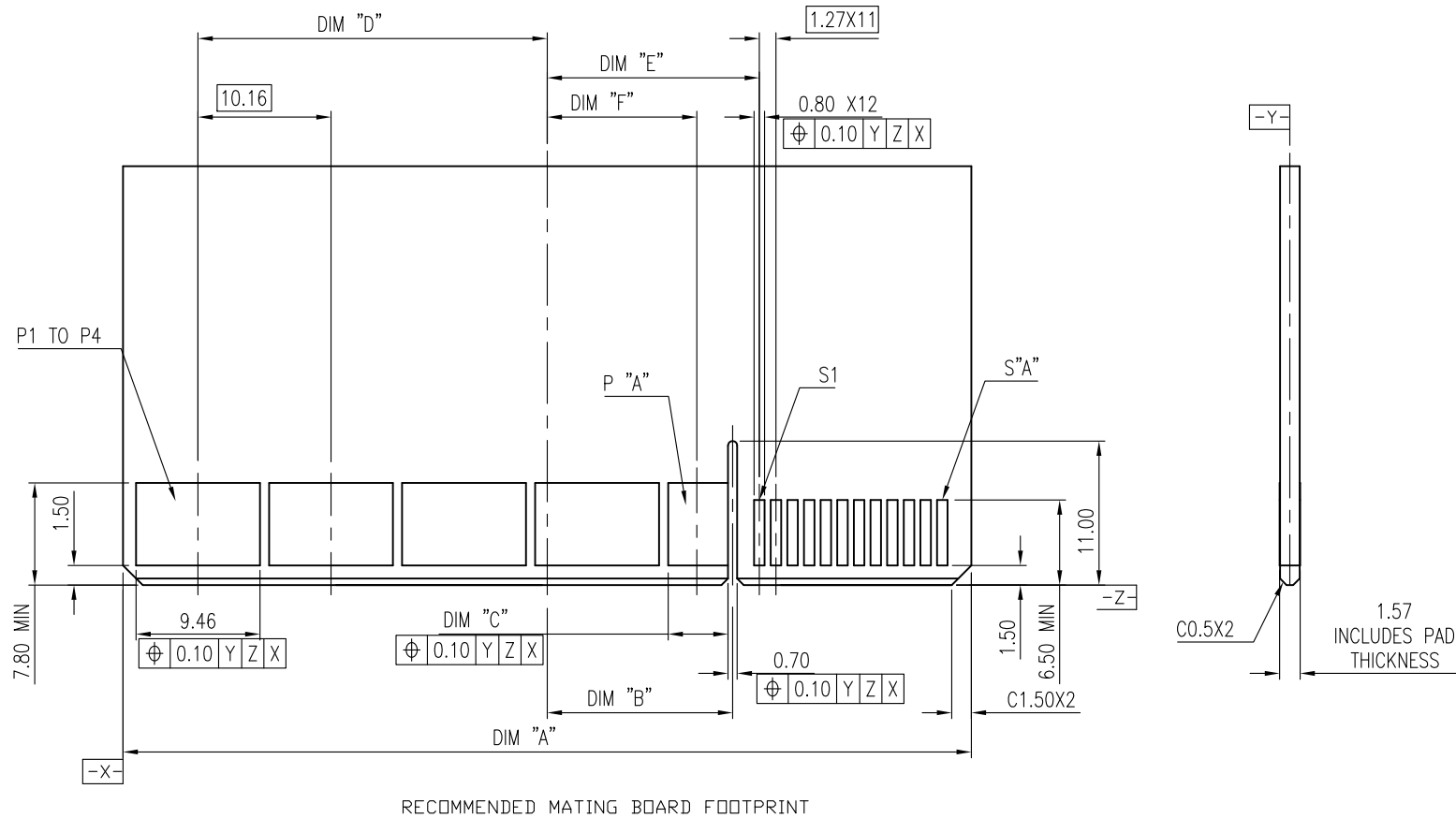
TOLERANCE	DRAWN	APPROVALS	DATE	TITLE		UNIT	SIZE	PART No.
X.	DESIGNED	Chenny Yeh	2/14/2012	ENERGY EDGE RECEPTACLE,STRADDLE TYPE		mm	A3	GPCEXXXXX1HR
X.X ±0.30	CHECKED	Sondra Sang	2/14/2012			SCALE	1 OF 3	DWG No.
X.XX ±0.20	APPROVED	Hank Hsu	2/14/2012			NA		GPCE4X36241HR
X.XXX ±0.10	DWG TYPE	CUST DWG	PROJECT CODE				REV.	
ANGULAR ±2°			T522				A	
UNLESS OTHERWISE SPECIFIED								

Amphenol[®]
Amphenol Corporation
Amphenol Taiwan Corporation

on the express condition that it is not to be disclosed, reproduced or used, in whole or in part, for manufacture or sale by anyone other than Amphenol Corporation without its prior consent, and that no right is granted to disclose or to use any information in this document.

The marking on this product doesn't contain environmental hazardous material and must follow one or more specifications per Material Specification SS-00259 for Sony GP compliant or per directive 2002/95/EC for RoHS compliant or per IEC 61249-2-21 for Halogen Free compliant.

REVISIONS				
SYM	ECN No.	DESCRIPTION	DATE	BY
A	NE-12019	RELEASE TO PRODUCTION	02/14/2012	Chenny Yeh

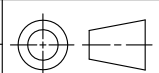


RECOMMENDED MATING BOARD FOOTPRINT

GPCE3X56241HR	90.18	26.86	9.46	39.37	28.90	21.59	P28	S12
GPCE5X36241HR	64.78	14.61	4.57	26.67	16.2	11.43	P18	S12
GPCE4X36241HR	64.78	14.61	4.57	26.67	16.2	11.43	P18	S12
PART NUMBER	DIM "A"	DIM "B"	DIM "C"	DIM "D"	DIM "E"	DIM "F"	P "A"	S "A"

TOLERANCE	DRAWN	APPROVALS	DATE	TITLE	UNIT	SIZE	PART No.					
X. X.X ±0.30 X.XX ±0.20 X.XXX ±0.10	DESIGNED	Chenny Yeh	2/14/2012	ENERGY EDGE CONNECTOR RECEPTACLE,STRADDLE TYPE	mm	A3	GPCEXXXXXX1HR					
ANGULAR ±2°	CHECKED	Sondra Sang	2/14/2012									
UNLESS OTHERWISE SPECIFIED	APPROVED	Hank Hsu	2/14/2012									
	DWG TYPE	CUST DWG	PROJECT CODE	T522	SCALE	NA	SHEET	2 OF 3	DWG No.	GPCE4X36241HR	REV.	A

Amphenol[®]
Amphenol Corporation
Amphenol Taiwan Corporation



UNIT mm
SCALE NA

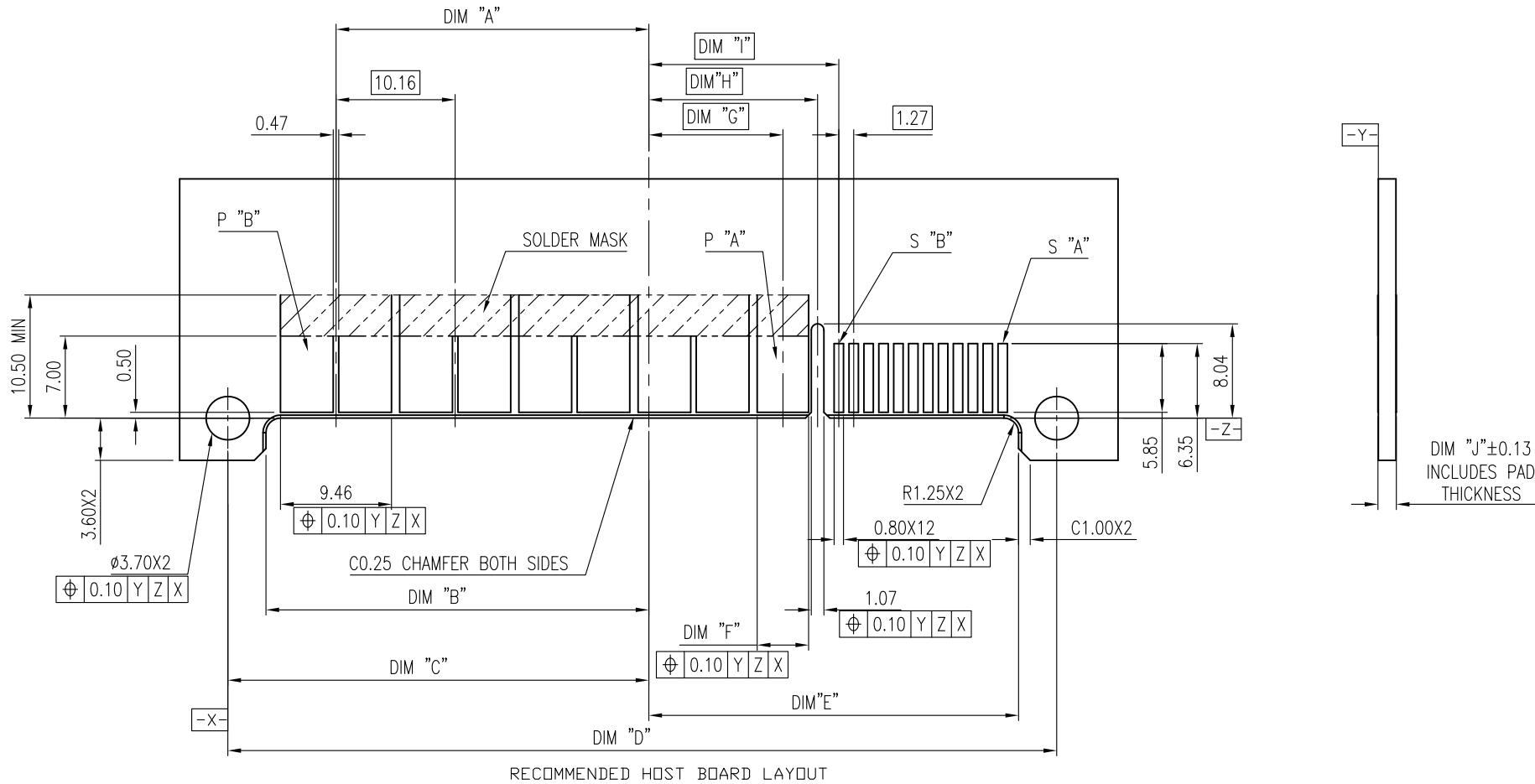
SIZE A3
SHEET 2 OF 3

PART No. GPCEXXXXXX1HR
DWG No. GPCE4X36241HR
REV. A

This document is the property of Amphenol Corporation and is delivered on the express condition that it is not to be disclosed, reproduced or used, in whole or in part, for manufacture or sale by anyone other than Amphenol Corporation without its prior consent, and that no right is granted to disclose or to use any information in this document.

The marking on this product doesn't contain environmental hazardous material and must follow one or more specifications per Material Specification SS-00259 for Sony GP compliant or per directive 2002/95/EC for RoHS compliant or per IEC 61249-2-21 for Halogen Free compliant.

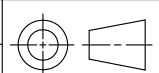
REVISIONS				
SYM	ECN No.	DESCRIPTION	DATE	BY
A	NE-12019	RELEASE TO PRODUCTION	02/14/2012	Chenny Yeh



GPCE4X56241HR	39.37	45.34	48.59	96.06	44.22	9.46	21.59	27.09	28.90	2.16	P29	P56	S13	S24
GPCE5X36241HR	26.67	32.64	35.89	70.66	31.52	4.38	11.43	14.39	16.20	1.57	P19	P36	S13	S24
GPCE4X36241HR	26.67	32.64	35.89	70.66	31.52	4.38	11.43	14.39	16.20	1.57	P19	P36	S13	S24
PART NUMBER	DIM "A"	DIM "B"	DIM "C"	DIM "D"	DIM "E"	DIM "F"	DIM "G"	DIM "H"	DIM "I"	DIM "J"	P "A"	P "B"	S "A"	S "B"

TOLERANCE	DRAWN	APPROVALS	DATE	TITLE	UNIT	SIZE	PART No.
X. ±0.30	DESIGNED	Chenny Yeh	2/14/2012	ENERGY EDGE CONNECTOR RECEPTACLE,STRADDLE TYPE	mm	A3	GPCEXXXXX1HR
X.X ±0.20	CHECKED	Sondra Sang	2/14/2012				
X.XXX ±0.10	APPROVED	Hank Hsu	2/14/2012				
ANGULAR ±2°	DWG TYPE	CSUT DWG		PROJECT CODE	SCALE	SHEET	DWG No.
UNLESS OTHERWISE SPECIFIED				T522	NA	3 OF 3	GPCE4X36241HR

Amphenol[®]
Amphenol Corporation
Amphenol Taiwan Corporation



REV. A

X-ON Electronics

Largest Supplier of Electrical and Electronic Components

Click to view similar products for [Power to the Board](#) category:

Click to view products by [Amphenol](#) manufacturer:

Other Similar products are found below :

[6450171-4](#) [6450552-7](#) [6600323-8](#) [6643429-1](#) [6646040-2](#) [6651939-1](#) [6766604-1](#) [120959-1](#) [1393557-2](#) [1393532-2](#) [1393532-3](#) [1393532-4](#)
[1393557-1](#) [1600812-5](#) [1-6450861-2](#) [1744132-7](#) [1761122-1](#) [1766250-1](#) [1892109-1](#) [2-6450860-5](#) [2-6450870-0](#) [1-6450161-4](#) [1-6450850-6](#) [1-](#)
[6450869-6](#) [1645526-2](#) [1-6600130-0](#) [2005243-2](#) [TE34-12-16P-F0](#) [5-6450830-6](#) [5646956-4](#) [4-6450830-9](#) [4-6600333-3](#) [10125416-4050LF](#)
[6600320-3](#) [3-6450860-5](#) [1888123-2](#) [6450166-1](#) [6643978-1](#) [6766605-1](#) [N11444](#) [6651938-1](#) [6450810-7](#) [46437-1112](#) [1-1589677-8](#) [5646956-5](#)
[6450813-2](#) [6450129-4](#) [1645523-1](#) [PSS-06-01-T-S](#) [0465621864](#)